

BAL650C-4ACTD

Fluorescent Emergency Ballast 750 Lumens

DATE:

PROJECT

COMMENTS:



ILLUMINATION

- Works with or without an AC ballast to convert new or existing fluorescent fixtures into unobtrusive emergency lighting
- Operates one lamp in the emergency mode for a minimum of 90-minutes
- Provides a maximum initial lumen output of 750 lumens

ELECTRICAL

- Dual 120/277 voltage
- Charge rate/power "ON" LED indicator light and push-to-test switch for mandated code compliance testing
- Long life, maintenance-free, rechargeable, sealed Ni-Cad battery
- Internal solid-state transfer switch automatically connects the internal battery to fluorescent lamp for minimum 90-minute emergency illumination
- Fully automatic solid-state, two rate charger initiates battery charging to recharge a discharged battery in 24 hours

LAMP COMPATIBILITY

- Compatible with most one-lamp electronic standard and dimming AC ballasts
- Operates one 13W-26W, 2-pin compact fluorescent lamps with GX23 and G24D bases. Refer to the chart on the next page for a complete list of compatible lamps



MOUNTING

- Suitable for installation inside, on top, or in remote* of the fixture
- Can be used in both switched and unswitched fixtures
- UL Listed for factory or field installation

HOUSING

- Durable painted steel construction with white finish
- Provided with 2' flex conduits on both ends
- Compact design fits most fluorescent fixtures

NOTE

- When battery packs are remote mounted, the remote distance cannot exceed ½ of the distance from ballast to lamp specified by the AC. ballast manufacturer. The maximum allowable remote mounting distance is 50 feet

ORDERING INFORMATION *BAL650C-4ACTD*

1. SERIES

BAL650C-4ACTD



TEMPERATURE RATING

- From 32°F to 122°F

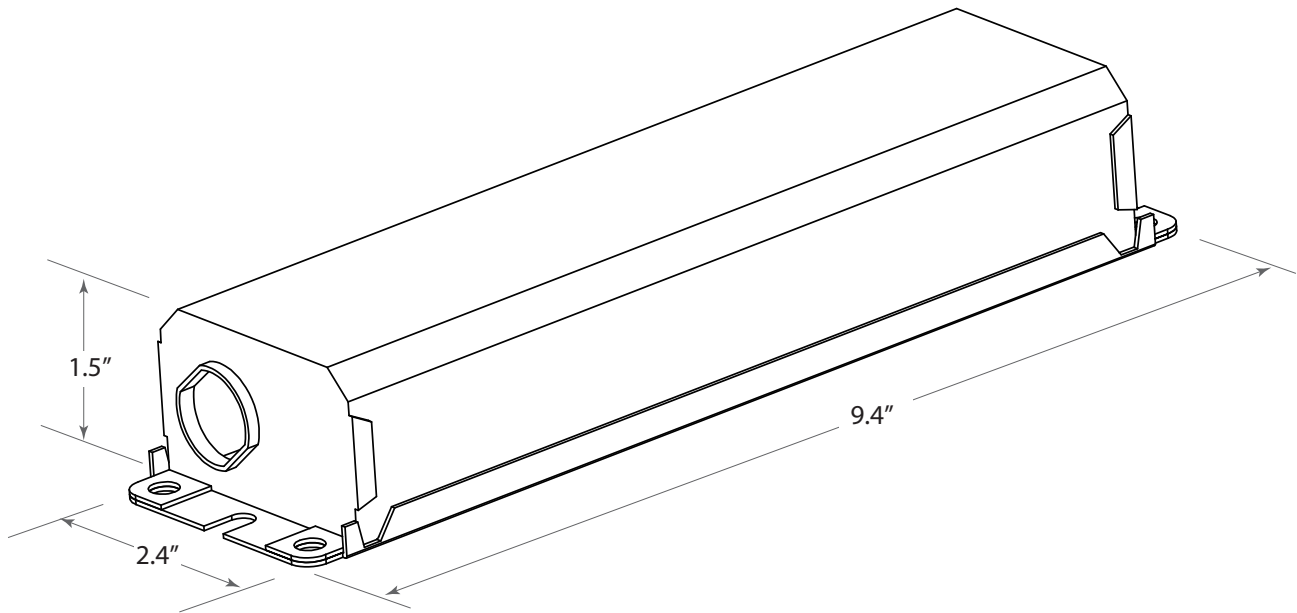
APPROVALS

- UL 924
- UL Listed for Damp Location
- NFPA Life Safety Code 101
- NFPA 70-NEC
- OSHA

WARRANTY

- Isolite offers a 3-year limited warranty. For further details, refer to General Warranty and Obligations in the Isolite manual or on our website. Lamps not warranted

DIMENSIONS



LAMP CHARTS

LAMP	INITIAL LUMENS
	1 LAMP
T8 32W	675
T12 40W	650
4-Pin PL CF 13W	450
4-Pin PL CF 18W	500
4-Pin PL CF 26W	575

LAMP	INITIAL LUMENS
	1 LAMP
4-Pin PL CF 32W	675
4-Pin PL CF 42W	750
4-Pin Long CF 18W	525
4-Pin Long CF 24W	575
4-Pin Long CF 36W	600
4-Pin Long CF 40W	650