



## SLX-60

## ABS Plastic Frame Self-Luminous Exit Sign

### Features

- Requires no electricity or external light source.
- Maintenance free – no lamps or batteries to replace.
- Tamper-proof design.
- Easy to install – no wiring required.
- Ideal for damp, wet, explosion proof, and extreme temperature applications.
- Special wording and pictographs available.
- Service life – 10 or 20 year options available.

### Construction

- Flame retardant, UV stabilized, injection molded ABS frame.

### Letters

- 6" high; 0.75" stroke.

### Arrows

- Universal chevrons.

### Viewing Distance

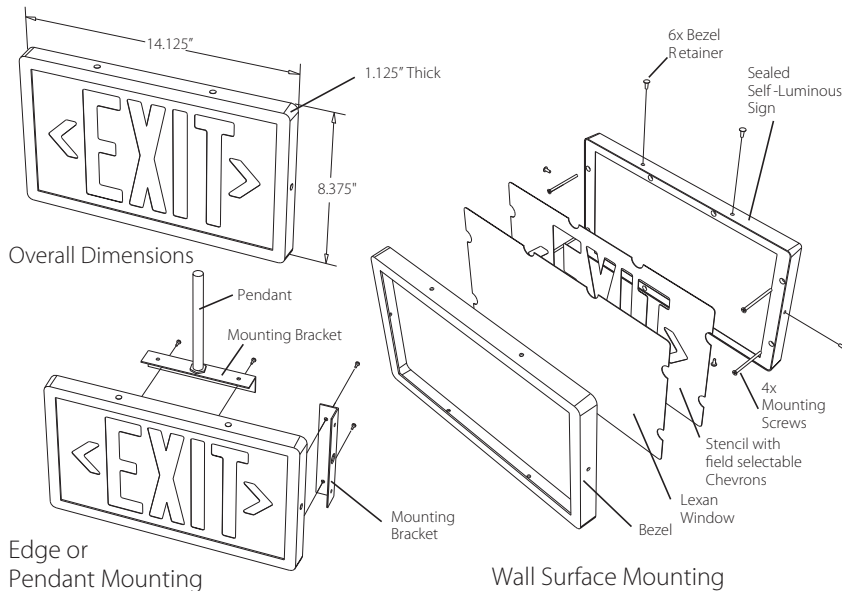
- 100 foot visibility rating.

### Technology

- Isolite Self-Luminous Signs are illuminated with a light source that consists of glass tubes which are internally coated with phosphor and filled with tritium gas—a natural hydrogen isotope.



### Ordering Information



#### Weight

- **Single Face:** 2.5 lb
- **Double Face:** 5 lb

#### Temperature Rating

- From -67°F to 176°F

#### Approvals

- UL Listed to standard UL924 & CAN/ULC-S572
- NFPA 101 Life Safety Code
- NEC Article 500, Class 1, 11, and 111 conditions

#### Warranty

- Our self-luminous products are warranted against any defects in material or workmanship for the rated life of the product. For further details, refer to General Warranty and Obligations in the Isolite manual or on our website.

#### Series

SLX-60

#### Faces

S = Single  
D = Double<sup>1</sup>

#### Service Life

10 = 10 Years  
20 = 20 Years

#### Face Color

R = Red  
G = Green  
BK = Black

#### Frame Color

WH = White  
BK = Black  
GY = Gray

#### Options

CW = Custom Wording  
RS = Polycarbonate Cover

#### Mounting

UN = Universal Mounting Bracket  
PA = 12" Swivel Pendant  
PB = 24" Swivel Pendant  
PC = 36" Swivel Pendant  
PD = 48" Swivel Pendant

#### NOTE

<sup>1</sup> = Consists of (2) Single units mounted back to back. Includes conversion hardware.