



**ERT**

**Steel 18-140 Watt  
Recessed T-bar  
Emergency Light**

**Features**

- Designed for installation in T-bar type grid ceiling systems.
- Two fully adjustable, top mounted Par 36 style lighting heads in high impact thermoplastic standard. Additional lamp types and wattages available.
- Capable of powering multiple remote heads.
- UL listed 90 minute run-time.
- External test switch and monitor LED are standard.
- Unique locking twist-collar securely holds the lens for quick and easy re-lamping.
- Low voltage cut-off prevents battery damage and ensures positive charge acceptance following an extended discharge.
- Self-Test / Self-Diagnostic monitoring available.
- Maintenance free, sealed lead calcium battery or nickel cadmium battery.
- Short circuit battery protection.
- Brownout detection ensures emergency operation during periods of low line voltage.
- Line-latch prevents unnecessary discharge of battery during installation. Loads will not illuminate until after application of utility power.
- Removable side access panel for ease of service and installation.
- 120/277 VAC field-selectable inputs.

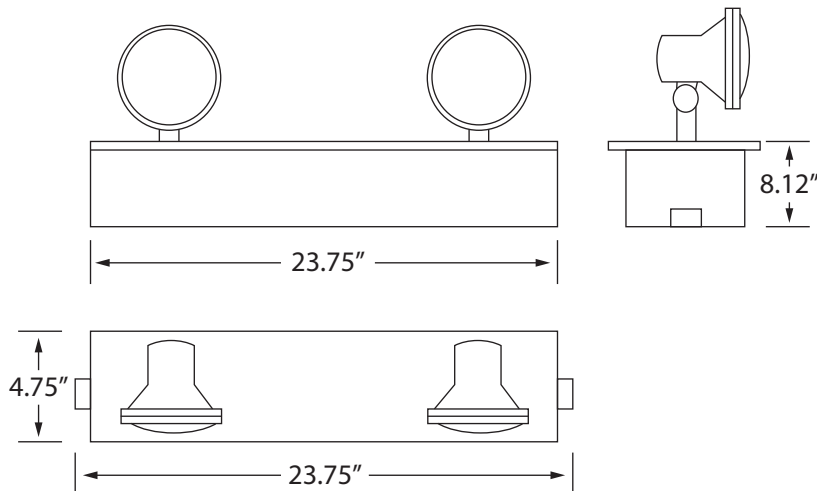
**Construction**

- 20 gauge steel cabinet.
- Durable white powder-coat finish.



**Ordering Information**
**Lamp Chart**

Lamp	6V	12V
<b>Incandescent</b>	9W, 12W, 18W, 25W	9W, 12W, 18W, 25W
<b>Halogen (H)</b>	8W, 10W, 12W, 20W	8W, 12W, 20W, 35W, 55W
<b>Sealed Beam Tungsten (SB)</b>	9W, 12W, 18W, 25W, 30W	12W, 18W, 25W 30W, 35W
<b>Sealed Beam Halogen (SBH)</b>	8W, 12W	8W, 12W, 30W
<b>MR16 (M)</b>	6W, 10W	10W, 12W, 20W 35W, 50W
<b>LED MR16 (L)</b>	5W	5W, 7W


**Series**
**ERT 6**
**ERT 12**
**Lead Calcium Capacity**
**LC18** = 18 Watt (6V)

**LC27** = 27 Watt (6V, 12V)

**LC36** = 36 Watt (6V, 12V)

**LC60** = 60 Watt (6V, 12V)

**LC72** = 72 Watt (6V)

**LC120** = 120 Watt (6V)

**LC140** = 140 Watt (12V)

**NiCad Capacity**
**NC22** = 22 Watt (6V)

**NC42** = 42 Watt (6V, 12V)

**NC54** = 54 Watt (6V)

**NC90** = 90 Watt (6V, 12V)

**NC130** = 130 Watt (12V)

**Heads Quantity**
**0** = No Heads

**1** = 1 Head

**2** = 2 Heads

**Lamps**

See Lamp Chart on left

(Indicate if H, SB, SBH, M or L)

**EXAMPLE: H8W** = Halogen 8W

**18W** = Standard Incandescent 18W

**Options**
**SD** = Self Diagnostic

**VM** = Voltmeter

**AM** = Ammeter

**TP** = Tamper Proof Screws

**TD** = Time Delay

**BZ** = Buzzer

**P18** = Par 18 Heads

**MH** = Metal Heads

**Temperature Rating**

- From 50°F to 113°F

**Approvals**

- CSA-US listed
- Meets or exceeds UL 924 standards
- NFPA 101 Life Safety Code
- NFPA 70-NEC
- OSHA

**Warranty**

- Isolite offers a 3-year limited warranty. For further details, refer to General Warranty and Obligations in the Isolite manual or on our website. Lamps not warranted.