



BAL650C-2

Fluorescent Emergency Ballast 650 Lumens

Illumination

- Works with or without an AC ballast to convert new or existing fluorescent fixtures into unobtrusive emergency lighting.
- Operates one lamp in the emergency mode for a minimum of 90-minutes.
- Provides a maximum initial lumen output of 650 lumens.

Electrical

- Dual 120/277 voltage.
- Charge rate/power "ON" LED indicator light and push-to-test switch for mandated code compliance testing.
- Long life, maintenance-free, rechargeable, sealed NiCd battery.
- Internal solid-state transfer switch automatically connects the internal battery to fluorescent lamp for minimum 90-minute emergency illumination.
- Fully automatic solid-state, two rate charger initiates battery charging to recharge a discharged battery in 24 hours.

Lamp Compatibility

- Compatible with most one-, two-, three-, and four-lamp electronic standard and dimming AC ballasts.
- Operates one 13W-26W, 2-pin compact fluorescent lamps with GX23 and G24D bases. Refer to the chart on the next page for a complete list of compatible lamps.

Mounting

- Suitable for installation inside, on top or in remote* of the fixture.
- Can be used in both switched and unswitched fixtures.
- UL Listed for factory or field installation.

Housing

- Durable painted steel construction with white finish.
- Provided with 2' flex conduits on both ends.
- Compact design fits most fluorescent fixtures.

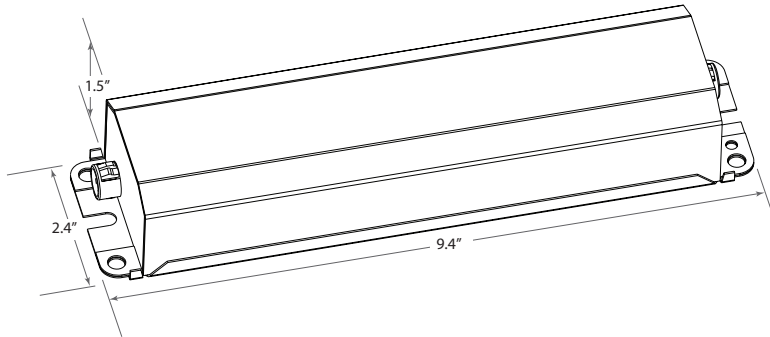
*Note

- When battery packs are remote mounted, the remote distance cannot exceed ½ the distance from ballast to lamp specified by the A.C. ballast manufacturer. The maximum allowable remote mounting distance is 50 feet.



Ordering Information

Product
BAL650C-2



Temperature Rating

- From 32°F to 122°F

Approvals

- UL 924
- UL Listed for Damp Location
- NFPA Life Safety Code 101
- NFPA 70-NEC
- OSHA

Warranty

- Isolite offers a 3-year limited warranty. For further details, refer to General Warranty and Obligations in the Isolite manual or on our website. Lamps not warranted.

| Lamp Type | Initial Lumens | |
|-----------------|----------------|--------|
| | 1-lamp | 2-lamp |
| 2-Pin PL CF 13W | 380 | -- |
| 2-Pin PL CF 18W | 550 | -- |
| 2-Pin PL CF 26W | 650 | -- |