



2040-80

Recessed  
Self-Luminous Exit

### Features

- Requires no electricity or external light source.
- Maintenance free – no lamps or batteries to replace.
- Approved for low-level or above-door applications.
- Vandal resistant 3/8" polycarbonate cover.
- Tamper-proof design.
- Easy to install – no wiring required.
- Ideal for damp, wet, explosion proof, and extreme temperature applications.
- Special wording and pictographs available.
- Service life – 10 or 20 year options available.

### Construction

- Brushed aluminum recessed pan.
- Aluminum stencil with 0.375" polycarbonate cover.

### Letters

- 6" high; 0.75" stroke

### Arrows

- Universal chevrons

### Viewing Distance

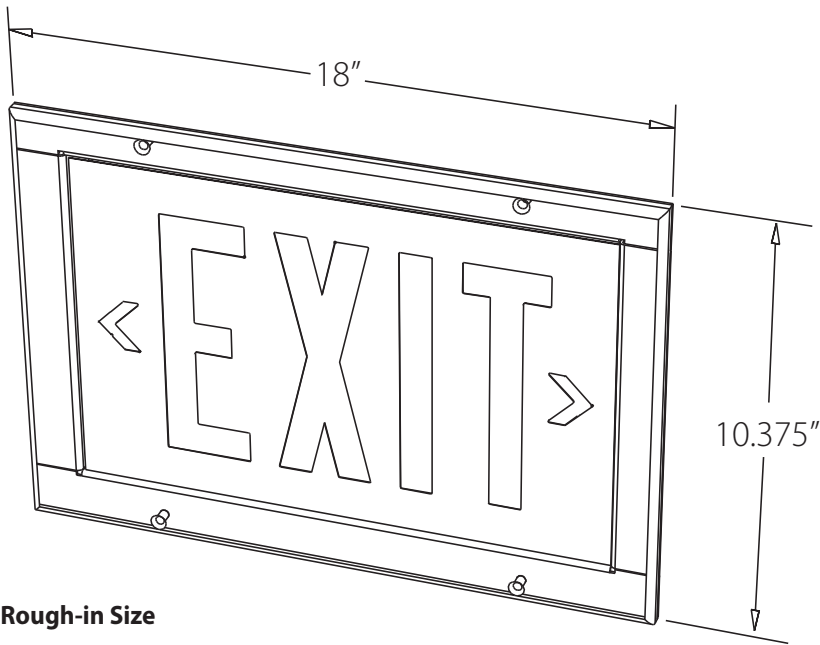
- 100 foot visibility rating

### Technology

- Isolite Self-Luminous Signs are illuminated with a light source that consists of glass tubes which are internally coated with phosphor and filled with tritium gas—a natural hydrogen isotope.



**Ordering Information**



**Series**

**2040-80**

**Service Life**

**10** = 10 Years

**20** = 20 Years

**Face Color**

**R** = Red

**G** = Green

**BZ** = Bronze

**Frame Color**

**WH** = White

**BK** = Black

**BA** = Brushed Aluminum

**Options**

**CW** = Custom Wording

**Rough-in Size**

- 12.5625" x 8.25"

**Weight**

- 6 lb

**Temperature Rating**

- From -67°F to 176°F

**Approvals**

- UL Listed to standard UL924 & CAN/ULC-S572
- NFPA 101 Life Safety Code
- NEC Article 500, Class 1, 11, and 111 conditions

**Warranty**

- Our self-luminous products are warranted against any defects in material or workmanship for the rated life of the product. For further details, refer to General Warranty and Obligations in the Isolite manual or on our website.