

## VTF-LED

IP65 Rated LED Industrial Luminaire

DATE:

PROJECT:

COMMENTS:



### FEATURES

- 4.0' fixture uses four high-efficiency LED boards
- Available in 3500K, 4000K, or 5000K
- High performance driver operates 100V-277V, 50-60HZ
- Standard surface mount configuration
- Standard 0-10V dimming



### CONSTRUCTION

- Corrosion, flame and vandal resistant housing
- Integrated stainless steel mounting brackets
- Flat, steel reflector system finished in durable white powder coat
- UV stabilized, polycarbonate diffuser eliminates glare

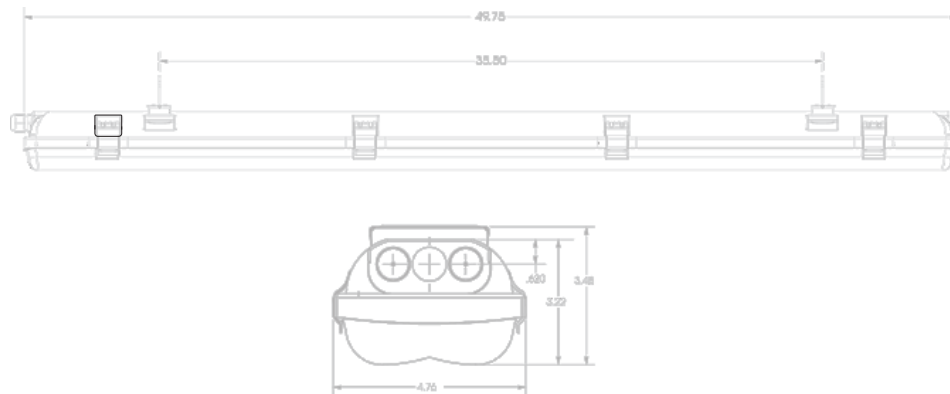
### APPROVALS

- IP66
- IP65
- NEMA 4X
- UL924
- NFPA 101 Life Safety Code
- NFPA 70 - NEC
- OSHA

### WARRANTY

Isolite offers a 3-year limited warranty. For further details, refer to General Warranty and Obligations in the Isolite manual or on our website.

### DIMENSIONS



### ORDERING INFORMATION *VTFLED-AC-MT-1L50*

1. SERIES	2. OPERATION	3. MOUNTING	4. OUTPUT	5. OPTIONS
VTFLED	-	-	-	-
	AC AC Only EM Ni-Cad Battery Backup	MT Top Mount MCH 48" Chain Mount MAC50 50" Adjustable Aviation Cable MAC72 72" Adjustable Aviation Cable MAC100 100" Adjustable Aviation Cable MAC150 150" Adjustable Aviation Cable	1L50(3500K) 50W LED 3500K 1L50(4000K) 50W LED 4000K 1L50(5000K) 50W LED 5000K 1L70(3500K) 70W LED 3500K 1L70(4000K) 70W LED 4000K 1L70(5000K) 70W LED 5000K	BLANK = NO OPTION TP Tamperproof Screws