



RLC-LED

Thermoplastic Exit & Emergency Combo

DATE:

COMMENTS:

PROJECT



FEATURES

- Suitable for use in damp locations.
- Ultra-bright, energy efficient, long-life red or green LED.
- Two emergency lights with fully adjustable, high performance, premium grade, ultra-bright white LEDs.
- Heads produce 140 Lumens for optimum spacing and distribution.
- Remote capability is standard and can operate two 1W LED lamp-heads, or can be used for longer run-time.
- Compatible with Isolite MVH and MVI remote heads.
- Output voltage 3.6V needed to power remote heads.
- Provides 90 minutes of emergency operation.
- Charge rate/power "ON" LED indicator light and push-to-test switch for mandated code compliance testing.
- Utilizes maintenance-free nickel cadmium batteries.
- Available with full self-diagnostic option.
- Internal solid-state transfer switch automatically connects the internal battery to LED board and LED lamp heads for minimum 90-minute emergency illumination
- Full automatic solid-state, two-rate charger initiates battery charging to recharge a discharged battery in 24 hours while reducing overcharge and improving the life of the battery.
- 120/277 VAC with field selectable inputs.



ORDERING INFORMATION *RLC-LED-G-U-BK-MTEB*

RLC-LED-R-U-WH-MTEB	RLC-LED Thermoplastic Exit & Emergency Combo, Red Letters, Universal Face Count, White, Top/End/Back Mount
RLC-LED-G-U-WH-MTEB	RLC-LED Thermoplastic Exit & Emergency Combo, Green Letters, Universal Face Count, White, Top/End/Back Mount
RLC-LED-R-U-WH-MTEB-SD	RLC-LED Thermoplastic Exit & Emergency Combo, Red Letters, Universal Face Count, White, Top/End/Back Mount, Self-Diagnostics
RLC-LED-G-U-WH-MTEB-SD	RLC-LED Thermoplastic Exit & Emergency Combo, Green Letters, Universal Face Count, White, Top/End/Back Mount, Self-Diagnostics
RLC-LED-R-U-BK-MTEB-SD	RLC-LED Thermoplastic Exit & Emergency Combo, Red Letters, Universal Face Count, Black, Top/End/Back Mount, Self-Diagnostics ¹
RLC-LED-G-U-BK-MTEB-SD	RLC-LED Thermoplastic Exit & Emergency Combo, Green Letters, Universal Face Count, Black, Top/End/Back Mount, Self-Diagnostics ¹

ORDERING NOTES

1. Black finish only available with SD units

ACCESSORIES; ORDER SEPARATELY

- **WG-16.5LX14.0WX3.0D** = Wireguard, Length: 16.5", Width: 14", Depth: 3"
- **WG-16.5LX14.0WX6.0D** = Wireguard, Length: 16.5", Width: 14", Depth: 6"
- **WG-20.0LX19.0WX9.0D** = Wireguard, Length: 20", Width: 19", Depth: 9"
- **WG-26.0LX19.0WX9.0D** = Wireguard, Length: 26", Width: 19", Depth: 9"

NOTE: Wireguards only available with Back Mount.

SPECIFICATIONS

CONSTRUCTION

- High-impact, thermoplastic housing

ARROWS

- Field selectable knockout chevron directional indicators

TEMPERATURE RATING

- From 50°F to 104°F

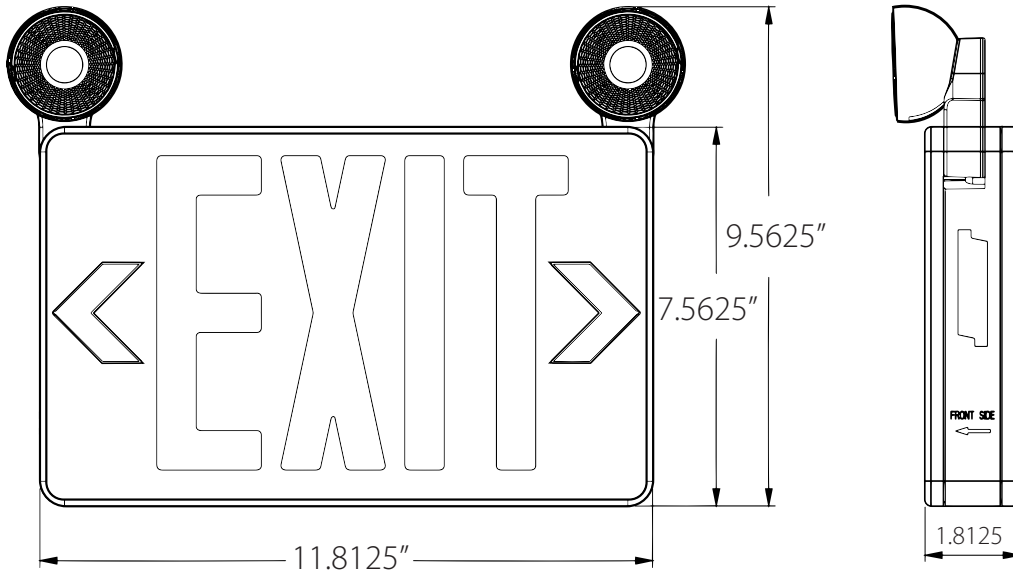
APPROVALS

- UL 924
- UL 924 damp location
- NFPA Life Safety Code 101
- NFPA 70-NEC
- OSHA
- CEC Title 20 Compliant

WARRANTY

Isolite offers a 5-year limited warranty. For further details, refer to General Warranty and Obligations in the Isolite manual or on our website. Lamps not warranted.

DIMENSIONS



MOUNTING HEIGHT

