



RL2LED

Reliance Series Compact LED Emergency Light

DATE:

PROJECT

COMMENTS:



FEATURES

- Compact, low-profile design constructed of UV stabilized UL94V-O flame retardant ABS injection molded thermoplastic.
- High output 2W adjustable LED heads provide 125 lumens each.
- Optional single or double remote heads available with 3.6V, 1W LEDs.
- Compatible with Isolite MVH and MVI remote heads.
- Quick snap-fit installation for ceiling mount and back mount applications.
- RL2LED-2 utilizes maintenance-free nickel cadmium batteries while the RL2LED-4 utilizes nickel metal hydride batteries.
- UL listed for a minimum 90 minute run-time.
- All units are suitable for use in damp locations.
- Self-diagnostics are available if the options is selected.
- 120/277 VAC with field selectable inputs.
- Brownout sensing ensures emergency operation during periods of low line voltage.
- If LW accessory is selected the unit can utilized in NEMA 4X/IP65 (wet location) applications.

NOTE

- Black is only available on SD units, and SD is only available on RL2LED-4.



ORDERING INFORMATION *RL2LED-2-WH-MBC*

RL2LED-2-WH-MBC	RL2LED Reliance Series Compact LED Emergency Light, 2W, White, Back/Ceiling Mount
RL2LED-4-WH-MBC	RL2LED Reliance Series Compact LED Emergency Light, 2W LED w/ Remote Capacity, White, Back/Ceiling Mount
RL2LED-4-WH-MBC-SD	RL2LED Reliance Series Compact LED Emergency Light, 2W LED w/ Remote Capacity, White, Back/Ceiling Mount - Self-Diagnostic
RL2LED-4-BK-MBC-SD	RL2LED Reliance Series Compact LED Emergency Light, 2W LED w/ Remote Capacity, Black, Back/Ceiling Mount - Self-Diagnostic

ACCESSORIES; ORDER SEPARATELY

- **RL2LED-ACCY-LWVS** = Wet location (NEMA 4X/IP65)
- **WG-16.5LX14.0WX6.0D** = Wireguard, Length: 16.5", Width: 14", Depth: 6"
- **WG-20.0LX19.0WX9.0D** = Wireguard, Length: 20", Width: 19", Depth: 9"
- **WG-26.0LX19.0WX9.0D** = Wireguard, Length: 26", Width: 19", Depth: 9"

SPECIFICATIONS

CONSTRUCTION

- ABS injection-molded thermoplastic that is UV stabilized and UL94V-O Flame retardant.

OVERALL SIZE

- 7.3125" X 4.0625"

TEMPERATURE RATING

- From 10°C to 40°C

APPROVALS

- UL 924
- NFPA 101 Life Safety Code
- NFPA 70-NEC
- OSHA
- CEC Title 20 Compliant

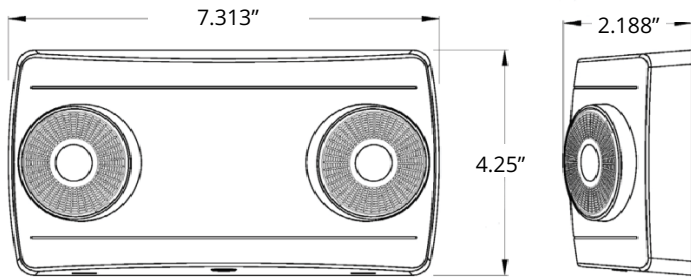
WARRANTY

Isolite offers a 3-year limited warranty. For further details, refer to General Warranty and Obligations in the Isolite manual or on our website. Lamps not warranted.

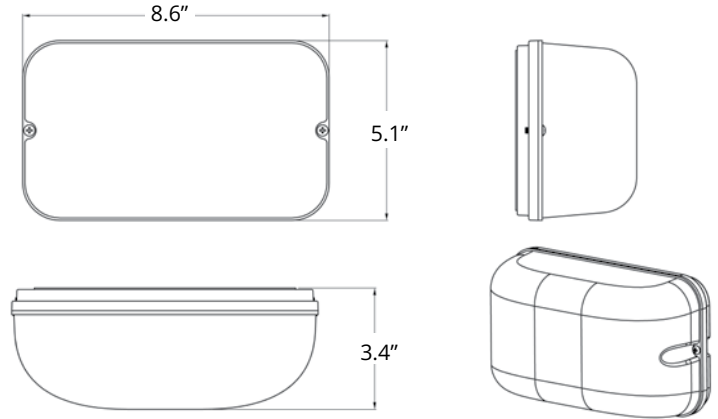


DIMENSIONS

RL2LED



NEMA 4X/IP65 COVER



SPACING DIAGRAM

Mounting height is 8' reflectance of 80-50-20

