

DATE:

COMMENTS:

PROJECT



## FEATURES



- Suitable for use in damp locations.
- Super-bright LEDs with long life expectancy.
- Quick-connect components and snap-on canopy for easy installation.
- Standard, universal face plates for both single and double face.
- Nickel cadmium battery provides 90 minute of emergency operation.
- Sealed external momentary test switch and dual-diagnostic LED indicator display AC status and Hi-Charge status.
- Self-Test/Self-Diagnostic monitoring available.
- Low voltage cut-off prevents battery damage and ensures positive charge acceptance following extended discharge.
- Line latch prevents unnecessary discharge of battery during installation. Loads will not illuminate until after application of utility power.
- 120/277 VAC with field selectable inputs (with the exception of the C1/C2 (dual circuit) option which requires voltage specification upon ordering).



## ORDERING INFORMATION *RL-AC-G-U-BK-MTEB*

1. SERIES	2. OPERATION	3. ILLUMINATION	4. FACE COUNT	5. FRAME COLOR
RL	-	-	U	-
	AC AC Only EM Ni-Cad Battery Backup	G Green R Red	U Universal	BK Black WH White
6. MOUNTING	7. OPTIONS	<b>ORDERING NOTES</b>		
MTEB	-	1. This dual circuit option should only be used for exits which are intended to be connected simultaneously to normal and emergency power circuits, but cannot support two hot inputs. Only one of the normal or emergency circuits can be powered at any given time. Energizing both normal and emergency circuits simultaneously will result in damage to the exit sign.		
MTEB Universal Mount	BLANK = NO OPTION SD Self-Diagnostics (EM Only) C1 Dual Circuit (120 VAC) (AC Only) <sup>1</sup> C2 Dual Circuit (277 VAC) (AC Only) <sup>1</sup> CW Custom Wording			

## ACCESSORIES; ORDER SEPARATELY

- **PKIT1-WH-12** = 12" Swivel Mounting Pendant Kit, White
- **PKIT1-WH-24** = 24" Swivel Mounting Pendant Kit, White
- **PKIT1-WH-36** = 36" Swivel Mounting Pendant Kit, White
- **PKIT1-WH-48** = 48" Swivel Mounting Pendant Kit, White
- **PKIT1-BK-12** = 12" Swivel Mounting Pendant Kit, Black
- **PKIT1-BK-24** = 24" Swivel Mounting Pendant Kit, Black
- **PKIT1-BK-36** = 36" Swivel Mounting Pendant Kit, Black
- **PKIT1-BK-48** = 48" Swivel Mounting Pendant Kit, Black
- **WG-16.5LX14.0WX3.0D** = Wireguard, Length: 16.5", Width: 14", Depth: 3"
- **WG-16.5LX14.0WX6.0D** = Wireguard, Length: 16.5", Width: 14", Depth: 6"
- **WG-20.0LX19.0WX9.0D** = Wireguard, Length: 20", Width: 19", Depth: 9"
- **WG-26.0LX19.0WX9.0D** = Wireguard, Length: 26", Width: 19", Depth: 9"

NOTE: Wireguards only available with Back Mount.

**SPECIFICATIONS**
**CONSTRUCTION**

- ABS injection-molded thermoplastic

**LETTERS**

- 6.0" high; 0.75" stroke

**ARROWS**

- NFPA-type, field selectable chevrons.

**ELECTRICAL**

- **Input Power (EM):** 4.2W Max
- **Input Power (AC):** 6.4W Max

**TEMPERATURE RATING**

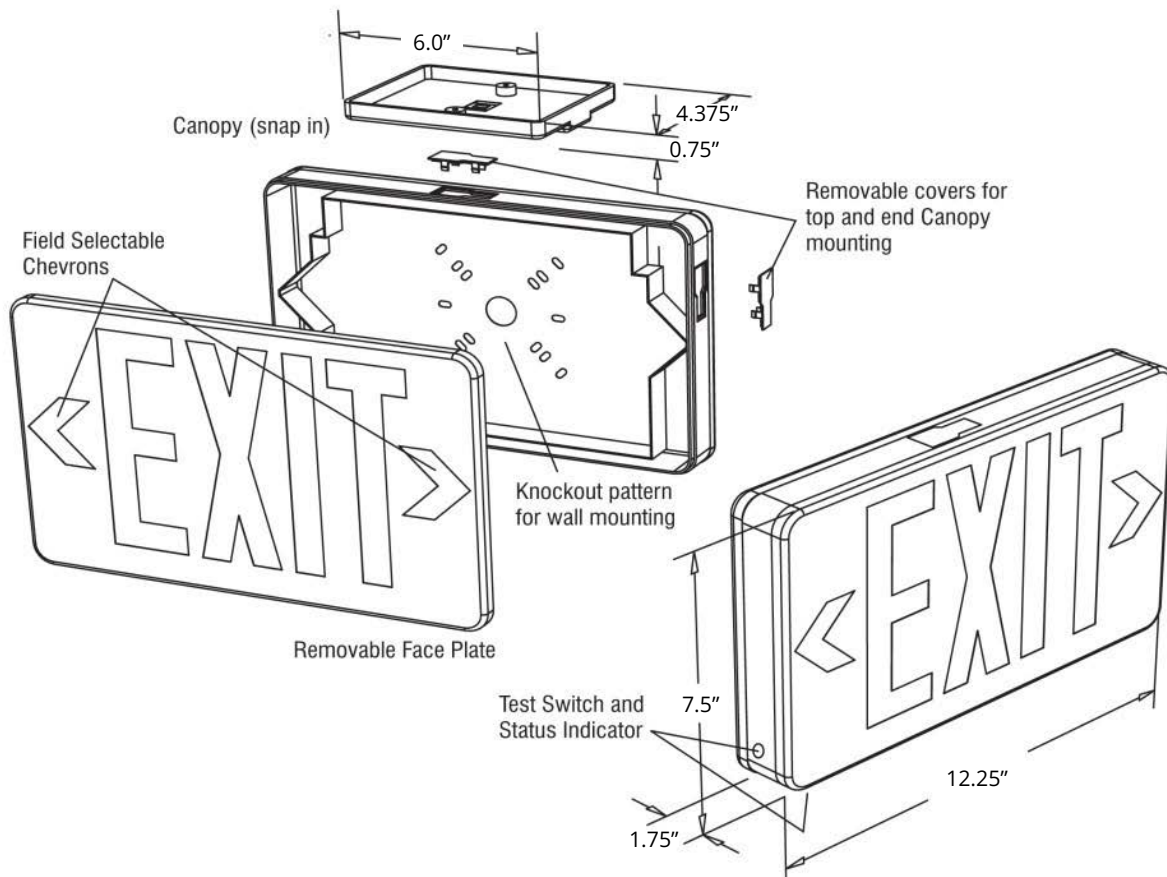
- From 50°F to 104°F (10°C to 40°C)

**APPROVALS**

- UL 924
- CEC Title 20 Compliant
- UL Listed for Damp Location
- NFPA Life Safety Code 101
- NFPA 70-NEC
- OSHA

**WARRANTY**

Isolite offers a 5-year limited warranty. For further details, refer to General Warranty and Obligations in the Isolite manual or on our website.

**DIMENSIONS**




**DIMENSIONS (CONTINUED)**

**CUSTOM WORDING**

