

DATE:	COMMENTS:
PROJECT:	



FEATURES

- City of Chicago Approved
- Exclusive Chicago Approved, field-installable Universal Arrows
- Plenum rated recessed back box can be pre-installed at job site
- "Snap-in Lens" for easy installation
- Hinged springs conceal mounting hardware on recessed models
- Industry leading 3W or less total energy consumption
- Premium long-life, high temperature fused nickel cadmium battery with standard UL listed 3 hour run-time
- Standard battery diagnostic monitoring system on all emergency units
- Full self-diagnostic monitoring system available
- 3 hour standard emergency run-time
- Zero current, low-voltage disconnect
- Uses only 10 Super-bright, long-life white LEDs with 25+ years life expectancy
- 120/277 VAC field-selectable inputs (with the exception of the C1/C2 (dual-circuit) option which requires voltage specification upon ordering)

ORDERING INFORMATION PG-AC-R-CHI2-AG-BA-MB

1. SERIES	2. OPERATION	3. ILLUMINATION	4. FACE COUNT
PG	-	R	-
	AC AC Only EM Ni-Cad Battery Backup	R Red	CHI2 Single Face Stairs No Arrow CHI2UA Single Face Stairs Universal Arrow CHI3 Single Face Exit No Arrow CHI3UA Single Face Exit Universal Arrow CHI5 Single Face Stairs Right Arrow CHI6 Single Face Exit Right Arrow CHI8 Single Face Stairs Left Arrow CHI9 Single Face Exit Left Arrow CHI12 Single Face Exit Double Arrow CHI17 Double Face Stairs No Arrow CHI17UA Double Face Stairs Universal Arrow CHI18 Double Face Exit No Arrow CHI18UA Double Face Exit Universal Arrow CHI20 Double Face Stairs Right or Left Arrow CHI21 Double Face Exit Right or Left Arrow CHI23 Double Face Stairs Double Arrow CHI24 Double Face Exit Double Arrow
5. FRAME STYLE	6. FRAME COLOR	7. MOUNTING	8. OPTIONS
AG Angular Trim FT Flat Trim ¹ <small>1. Only available with recessed mount.</small>	BA Brushed Aluminum BK Black WH White BR Painted Brass CC Custom Color	MB Back Mount ME End Mount / Side Mount MRC Recessed Ceiling Mount MT Top Mount MPA 12" Pendant Mount MPB 24" Pendant Mount MPC 36" Pendant Mount MPD 48" Pendant Mount MMB Mullion Mount (Bottom) MMR Mullion Mount (Rear) MMT Mullion Mount (Top)	BLANK = NO OPTION C1 Dual Circuit (120 VAC) (AC Only) C2 Dual Circuit (277 VAC) (AC Only) SD Self-Diagnostics (EM Only) SR Self-Diagnostics + IR Remote Testing Receiver (EM Only) PV Inverted Panel (Legend) FL Flasher FLA Flasher/Audible Alarm FA Fire Alarm Interface FAA FA Option w/ Audible Alarm (12-24VDC Fire Alarm) LD Damp Location

ORDERING NOTES

- FT Frame Style is only available with MRC mounting

ACCESSORIES; ORDER SEPARATELY

- TLRT = Infrared Remote Control
- WG 1 = Wireguard 17.0" X 17.0" X 17.0"



INPUT POWER

- AC models: 2.3W
- EM models: 3.0W

CONSTRUCTION

- Precision, die-cast aluminum housing
- Laser formed acrylic legend

LETTERS

- 6.0" high; 0.75" stroke

ARROWS

- Chicago Approved Arrows
- Universal, field-installable Chicago Approved arrows available

WEIGHT

- 9 lbs.

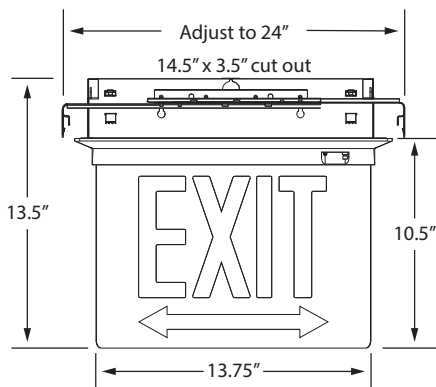
APPROVALS

- City of Chicago Approved
- UL 924
- NFPA Life Safety Code 101
- NFPA 70 - NEC
- OSHA
- NAFTA

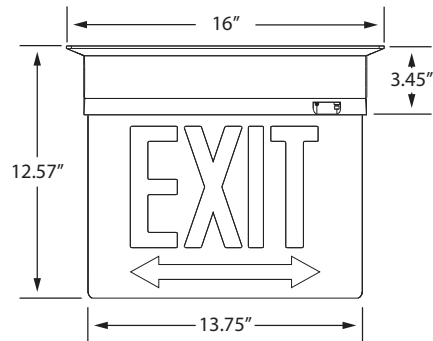
WARRANTY

Isolite offers a 5-year limited warranty. For further details, refer to General Warranty and Obligations in the Isolite manual or on our website. Lamps not warranted.

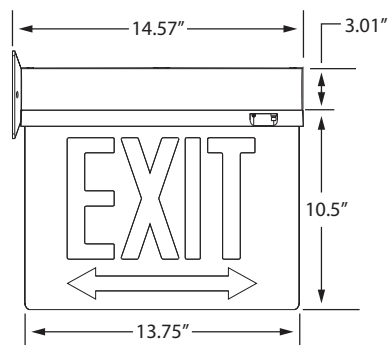
DIMENSIONS



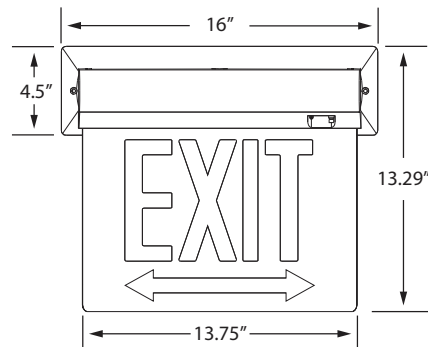
RECESSED CEILING MOUNT



TOP MOUNT



END/SIDE MOUNT

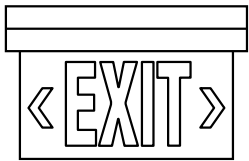


BACK MOUNT

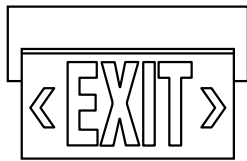


CHEVRON DECODER

1) MOUNTING CONFIGURATION



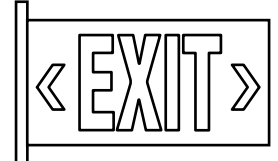
Ceiling Mount
(Recessed or Surface)



Wall Mount
(Surface Only)

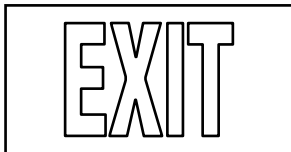


End Mount Right
(Surface Only)

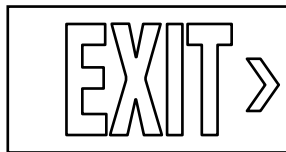


End Mount Left
(Surface Only)

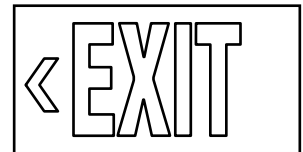
2) CHEVRON DIRECTION



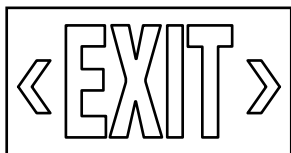
No Chevron (NA)



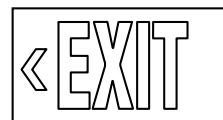
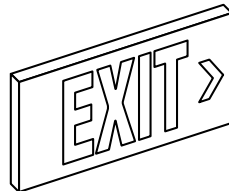
Right Chevron (AR)



Left Chevron (AL)



Double Chevron (AB)



SIDE A



SIDE B

Left & Right Chevron (AS)
(Double Face Only)