

DATE:

COMMENTS:

PROJECT




### FEATURES

- Architecturally appealing wet location LED light for indoor and outdoor applications.
- NEMA 3R/IP65 rating makes this suitable for indoor/outdoor, cold weather, and damp applications.
- Internal Heater (HX) makes the OWL ideal for outdoor applications down to -13°F.
- Self Test/Self Diagnostic circuit comes standard to reduce manual testing obligations.
- Test switch can be accessed externally for manual diagnostics.
- Photocell is standard in AC and EM models for use with nighttime and security lighting.
- Switch control for normal lighting comes standard for both AC and EM models.
- Eight LEDs produce 1530 lumens in normal (mains mode) and 600 lumens in emergency battery backup mode.
- 3,000°K CCT, CRI ≥ 70, L70 > 72,000 hours
- UL listed for a minimum of 90 minutes of run-time.
- Self-compensating solid state constant current charger provides extended float life and rapid recharge.
- Brownout detection ensures emergency illumination during periods of low line voltage.
- Premium long-life high temperature nickel cadmium battery.
- Integral push-to-test switch with easily visible bi-color LED diagnostic indicator.
- 120/277 VAC with field selectable inputs.

### ORDERING INFORMATION *OWL-AC-BK-MB*

1. SERIES	2. OPERATION	3. FRAME COLOR	4. MOUNTING	5. OPTIONS
OWL	-	-	MB	-
	<b>AC</b> AC Only <b>EM</b> Ni-Cad Battery Backup	<b>BK</b> Black <b>BZ</b> Bronze <b>SL</b> Silver <b>WH</b> White	<b>MB</b> Back Mount	<b>BLANK = NO OPTION</b> <b>HX</b> Internal Heater

### SPECIFICATIONS

#### CONSTRUCTION

- Quality pressure die-cast aluminum housing finished in durable polyester powder coat available in bronze, white, silver or black finish.
- Optional 0.5" threaded conduit top entry.
- Optic lens assembly is a single piece with a UV polycarbonate material.
- UV stabilized polycarbonate lens resists yellowing and provides uniform light distribution.
- Large surface area LED heat sinking for optimum LED longevity

#### POWER CONSUMPTION

- EM Model - Float charge mode without lamps illuminated: 2 watts
- EM Model - Float charge mode with normal lamps illuminated: 17 watts
- EM Model - Optional Cold temperature model adds 15 watts intermittently (thermostat controlled)
- AC Only Model: 17 watts

#### TEMPERATURE RATING

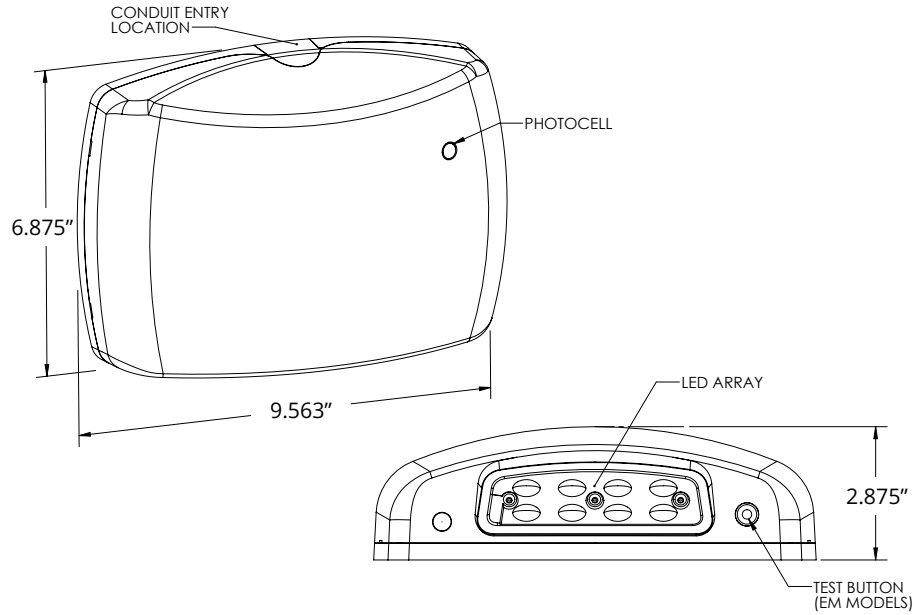
- **With Internal Heater:** From -13°F to 122°F
- **Without Internal Heater:** From 32°F to 122°F

#### APPROVALS

- UL 924
- NEMA 3R Rated
- IP65 Rated
- NFPA 101 Life Safety Code
- NFPA 70-NEC
- OSHA

#### WARRANTY

- Isolite offers a 5-year limited warranty. For further details, refer to General Warranty and Obligations in the Isolite manual or on our website. Lamps not warranted.

**DIMENSIONS**

**SPACING CHART**

MOUNTING HEIGHT	SPACING FT. (MAX) CENTER TO CENTER
8'	48'
9'	55'
10'	60'
12'	53'
14'	45'

**NOTE**

Table is with a 6' wide path away from the building