



# OLLOR

Industrial Remote Lamp

DATE:

PROJECT

COMMENTS:



## FEATURES

- Available with one or two lamp heads in the same wattages as the base unit.
- Remote lamps use the same lamp heads as the OLLO Industrial Emergency Light.
- Lamp wattages are the same as the base emergency light unit.
- Two remote 16W lamps operate the same as two local 16W lamps.
- Remote lamps are independently measured for diagnostics.
- NEMA 4X rated for protection against water and harsh conditions. Available with Wet Location (LW) option.



## ORDERING INFORMATION *OLLOR-WH-2-L4W-MB*

1. SERIES	2. BODY COLOR	3. HEAD COUNT	4. HEAD WATTAGE	5. MOUNTING
OLLOR	-	-	-	MB
	WH White BZ Bronze GY Gray BK Black CC Custom Color	1 1 Heads 2 2 Heads	L4W 4W LED L8W 8W LED L16W 16W LED	MB Back Mount

## 6. OPTIONS

LW Wet Location

## SPECIFICATIONS

### CONSTRUCTION

- Constructed of die-cast aluminum housing.
- Available in White, Black, Grey, and Terracotta Bronze powder coat finishes.

### ELECTRICAL

- 120-277VAC, 50-60Hz

### MOUNTING

- Back mounted using a French cleat.

### TEMPERATURE RATING

- From -22°F to 104°F (-30°C to 40°C)

### APPROVALS

- cUL Listed in compliance with UL 924 & Canadian CSA-C22.2 No. 141-15
- NEMA 4X

### WARRANTY

- Isolite offers a 5-year limited warranty. For further details, refer to General Warranty and Obligations in the Isolite manual or on our website. Lamps not warranted.

**LAMP OPTIONS**

**1 LAMP**

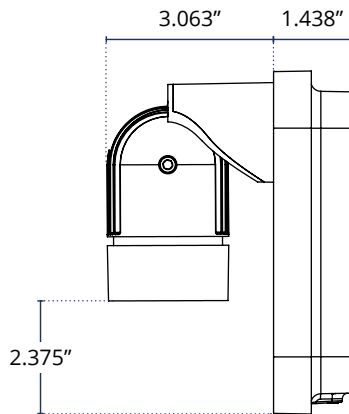
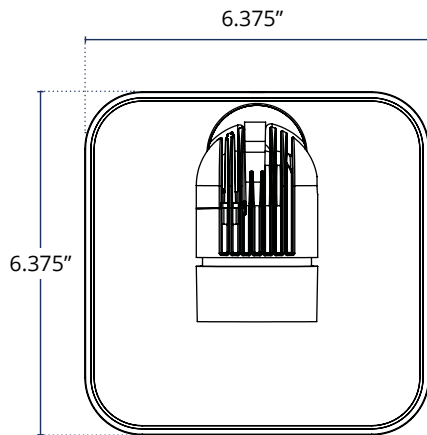


**2 LAMPS**

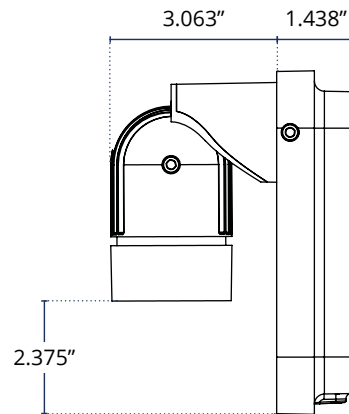
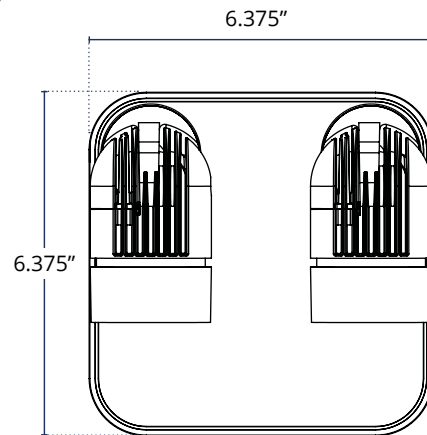


**DIMENSIONS**

**1 LAMP**



**2 LAMPS**



**SPACING CHARTS**
**ENCLOSED CORRIDOR - WALL MOUNT**

- Fixture: OLLOR-4W (Narrow Beam)
- Room Dimensions: 200' Long x 6' x Ceiling Height
- Reflectance: 80% / 50% / 20%
- Path of Egress: 6' Wide

MOUNTING HEIGHT (FT)	CEILING HEIGHT (FT)	SPACING CENTER TO CENTER (FT)	ROTATION <sup>1</sup>	NFPA 101 REQUIREMENTS		
				AVERAGE (≥ 1.0 FC)	MINIMUM (≥ 0.1 FC)	MAXIMUM / MINIMUM (≤ 40:1)
7.5	9	200	80	1.14	0.11	33.82
9	11	200	79	1.03	0.13	23.08
10	12	200	77	1.02	0.12	25.75
12	14	199	74	1.00	0.11	27.73
14	16	197	72	1.14	0.12	24.50
24'	30'	112'	112'	1.00 Fc	0.11 Fc	23.55

**NOTES**

1. Tilted away from the z-axis.

**OPEN ROOM - WALL MOUNT**

- Fixture: OLLOR-4W (Narrow Beam)
- Room Dimensions: 200' Long x 30' High Mounting Wall
- Reflectance: 0% / 50% / 20%
- Path of Egress: 6' Wide

MOUNTING HEIGHT (FT)	CEILING HEIGHT (FT)	SPACING CENTER TO CENTER (FT)	ROTATION <sup>1</sup>	NFPA 101 REQUIREMENTS		
				AVERAGE (≥ 1.0 FC)	MINIMUM (≥ 0.1 FC)	MAXIMUM / MINIMUM (≤ 40:1)
7.5	N/A	91	71	1.00	0.12	29.08
9	N/A	91	67	1.01	0.12	30.67
10	N/A	95	63	1.00	0.11	39.09
12	N/A	91	59	1.01	0.11	37.45
16	N/A	87	51 <sup>2</sup>	1.00	0.1 <sup>3</sup>	40.00

**NOTES**

1. Tilted away from the z-axis.
2. Lampheads have to be mounted on the bottom.
3. Intentionally left to the tenths place.

**ENCLOSED CORRIDOR - CEILING MOUNT**

- Fixture: OLLOR-4W (Narrow Beam)
- Room Dimensions: 200' Long x 15' x Ceiling Height
- Reflectance: 80% / 50% / 20%
- Path of Egress: 6' Wide

MOUNTING HEIGHT (FT)	CEILING HEIGHT (FT)	SPACING CENTER TO CENTER (FT)	ROTATION <sup>1</sup>	NFPA 101 REQUIREMENTS		
				AVERAGE (≥ 1.0 FC)	MINIMUM (≥ 0.1 FC)	MAXIMUM / MINIMUM (≤ 40:1)
7.5	7.5	118	71	1.01	0.11	33.18
9	9	116	69	1.00	0.11	32.09
10	10	114	66	1.02	0.10	37.70
12	12	110	62	1.00	0.10	36.70
14	14	106	58	1.00	0.10	36.30

**NOTES**

1. Tilted away from the z-axis.

- Fixture: OLLOR-4W (Wide Beam)
- Room Dimensions: 200' Long x Ceiling Height
- Reflectance: 80% / 50% / 20%
- Path of Egress: 6' Wide

MOUNTING HEIGHT (FT)	CEILING HEIGHT (FT)	SPACING CENTER TO CENTER (FT)	ROTATION <sup>1</sup>	NFPA 101 REQUIREMENTS		
				AVERAGE (≥ 1.0 FC)	MINIMUM (≥ 0.1 FC)	MAXIMUM / MINIMUM (≤ 40:1)
7.5	9	101	66	1.00	0.11	37.45
9	11	97	60	1.01	0.11	36.00
10	12	95	57	1.01	0.11	34.09
12	14	91	51 <sup>2</sup>	1.00	0.11	30.91
14	16	87	46 <sup>2</sup>	1.00	0.11	27.73

**NOTES**

1. Tilted away from the z-axis.
2. Lampheads have to be mounted on the bottom.

- Fixture: OLLOR-4W (Wide Beam)
- Room Dimensions: 200' Long x 30' High Mounting Wall
- Reflectance: 0% / 50% / 20%
- Path of Egress: 6' Wide

MOUNTING HEIGHT (FT)	CEILING HEIGHT (FT)	SPACING CENTER TO CENTER (FT)	ROTATION <sup>1</sup>	NFPA 101 REQUIREMENTS		
				AVERAGE (≥ 1.0 FC)	MINIMUM (≥ 0.1 FC)	MAXIMUM / MINIMUM (≤ 40:1)
7.5	N/A	83	62	1.01	0.13	35.54
9	N/A	83	57	1.00	0.12	34.83
10	N/A	81	54 <sup>2</sup>	1.00	0.12	32.42
12	N/A	77	48 <sup>2</sup>	1.02	0.12	28.92
16	N/A	73	36 <sup>2</sup>	1.02	0.11	25.73

**NOTES**

1. Tilted away from the z-axis.
2. Lampheads have to be mounted on the bottom.

- Fixture: OLLOR-4W (Wide Beam)
- Room Dimensions: 200' Long x 15' x Ceiling Height
- Reflectance: 80% / 50% / 20%
- Path of Egress: 6' Wide

MOUNTING HEIGHT (FT)	CEILING HEIGHT (FT)	SPACING CENTER TO CENTER (FT)	ROTATION <sup>1</sup>	NFPA 101 REQUIREMENTS		
				AVERAGE (≥ 1.0 FC)	MINIMUM (≥ 0.1 FC)	MAXIMUM / MINIMUM (≤ 40:1)
8	8	107	67	1.01	0.10	39.20
9	9	105	63	1.01	0.10	38.50
10	10	101	60	1.02	0.11	33.00
12	12	97	54	1.00	0.11	30.27
14	14	93	48	1.00	0.10	30.90

**NOTES**

1. Tilted away from the z-axis.

**SPACING CHARTS (CONTINUED)**
**ENCLOSED CORRIDOR - WALL MOUNT**

- Fixture: OLLOR-8W (Narrow Beam)
- Room Dimensions: 200' Long x 6' x Ceiling Height
- Reflectance: 80% / 50% / 20%
- Path of Egress: 6' Wide

MOUNTING HEIGHT (FT)	CEILING HEIGHT (FT)	SPACING CENTER TO CENTER (FT)	ROTATION <sup>1</sup>	NFPA 101 REQUIREMENTS		
				AVERAGE (≥ 1.0 FC)	MINIMUM (≥ 0.1 FC)	MAXIMUM / MINIMUM (≤ 40:1)
7.5	9	165	77	1.03	0.10	34.10
9	11	161	74	1.02	0.10	33.80
10	12	157	72	1.03	0.10	34.20
12	14	153	69	1.01	0.10	32.60
14	16	149	66	1.00	0.11	29.00

**NOTES**

1. Tilted away from the z-axis.

**OPEN ROOM - WALL MOUNT**

- Fixture: OLLOR-8W (Narrow Beam)
- Room Dimensions: 200' Long x 30' High Mounting Wall
- Reflectance: 0% / 50% / 20%
- Path of Egress: 6' Wide

MOUNTING HEIGHT (FT)	CEILING HEIGHT (FT)	SPACING CENTER TO CENTER (FT)	ROTATION <sup>1</sup>	NFPA 101 REQUIREMENTS		
				AVERAGE (≥ 1.0 FC)	MINIMUM (≥ 0.1 FC)	MAXIMUM / MINIMUM (≤ 40:1)
7.5	N/A	137	74	1.04	0.11	38.91
9	N/A	137	72	1.01	0.11	34.18
10	N/A	137	70	1.00	0.11	34.45
12	N/A	133	67	1.00	0.12	29.83
16	N/A	129	60	1.00	0.10	37.10
20	N/A	121	54 <sup>2</sup>	1.02	0.1 <sup>3</sup>	36.50

**NOTES**

1. Tilted away from the z-axis.
2. Lampheads have to be mounted on the bottom.
3. Intentionally left to the tenths place.

**ENCLOSED CORRIDOR - CEILING MOUNT**

- Fixture: OLLOR-8W (Narrow Beam)
- Room Dimensions: 200' Long x 15' x Ceiling Height
- Reflectance: 80% / 50% / 20%
- Path of Egress: 6' Wide

MOUNTING HEIGHT (FT)	CEILING HEIGHT (FT)	SPACING CENTER TO CENTER (FT)	ROTATION <sup>1</sup>	NFPA 101 REQUIREMENTS		
				AVERAGE (≥ 1.0 FC)	MINIMUM (≥ 0.1 FC)	MAXIMUM / MINIMUM (≤ 40:1)
7.5	7.5	181	78	1.01	0.10	30.60
9	9	177	76	1.00	0.10	30.30
10	10	169	74	1.00	0.11	27.64
12	12	163	70	1.00	0.10	31.80
14	14	153	67	1.00	0.11	28.00

**NOTES**

1. Tilted away from the z-axis.

- Fixture: OLLOR-8W (Wide Beam)
- Room Dimensions: 200' Long x Ceiling Height
- Reflectance: 80% / 50% / 20%
- Path of Egress: 6' Wide

MOUNTING HEIGHT (FT)	CEILING HEIGHT (FT)	SPACING CENTER TO CENTER (FT)	ROTATION <sup>1</sup>	NFPA 101 REQUIREMENTS		
				AVERAGE (≥ 1.0 FC)	MINIMUM (≥ 0.1 FC)	MAXIMUM / MINIMUM (≤ 40:1)
7.5	9	141	77	1.00	0.10	36.80
9	11	139	71	1.01	0.10	37.80
10	12	135	67	1.04	0.10	38.80
12	14	133	62	1.01	0.10	36.00
14	16	129	57	1.00	0.10	34.10

**NOTES**

1. Tilted away from the z-axis.

- Fixture: OLLOR-8W (Wide Beam)
- Room Dimensions: 200' Long x 30' High Mounting Wall
- Reflectance: 0% / 50% / 20%
- Path of Egress: 6' Wide

MOUNTING HEIGHT (FT)	CEILING HEIGHT (FT)	SPACING CENTER TO CENTER (FT)	ROTATION <sup>1</sup>	NFPA 101 REQUIREMENTS		
				AVERAGE (≥ 1.0 FC)	MINIMUM (≥ 0.1 FC)	MAXIMUM / MINIMUM (≤ 40:1)
7.5	N/A	113	70	1.03	0.12	39.67
9	N/A	115	66	1.01	0.12	35.75
10	N/A	115	63	1.00	0.11	37.82
12	N/A	115	57	1.00	0.10	40.00
16	N/A	107	48 <sup>2</sup>	1.01	0.10	33.30
20	N/A	99	40 <sup>2</sup>	1.00	0.11	25.18

**NOTES**

1. Tilted away from the z-axis.
2. Lampheads have to be mounted on the bottom.

- Fixture: OLLOR-8W (Wide Beam)
- Room Dimensions: 200' Long x 15' x Ceiling Height
- Reflectance: 80% / 50% / 20%
- Path of Egress: 6' Wide

MOUNTING HEIGHT (FT)	CEILING HEIGHT (FT)	SPACING CENTER TO CENTER (FT)	ROTATION <sup>1</sup>	NFPA 101 REQUIREMENTS		
				AVERAGE (≥ 1.0 FC)	MINIMUM (≥ 0.1 FC)	MAXIMUM / MINIMUM (≤ 40:1)
7.5	7.5	145	81	1.02	0.10	31.20
9	9	143	75	1.03	0.10	34.90
10	10	143	72	1.00	0.11	30.73
12	12	139	65	1.00	0.11	31.45
14	14	131	59	1.03	0.11	30.82

**NOTES**

1. Tilted away from the z-axis.

**SPACING CHARTS (CONTINUED)**
**ENCLOSED CORRIDOR - WALL MOUNT**

- Fixture: OLLOR-16W (Narrow Beam)
- Room Dimensions: 200' Long x 6' x Ceiling Height
- Reflectance: 80% / 50% / 20%
- Path of Egress: 6' Wide

MOUNTING HEIGHT (FT)	CEILING HEIGHT (FT)	SPACING CENTER TO CENTER (FT)	ROTATION <sup>1</sup>	NFPA 101 REQUIREMENTS		
				AVERAGE (≥ 1.0 FC)	MINIMUM (≥ 0.1 FC)	MAXIMUM / MINIMUM (≤ 40:1)
7.5	9	200	80	1.14	0.11	33.82
9	11	200	79	1.03	0.13	23.08
10	12	200	77	1.02	0.12	25.75
12	14	199	74	1.00	0.11	27.73
14	16	197	72	1.14	0.12	24.50

**NOTES**

1. Tilted away from the z-axis.

**OPEN ROOM - WALL MOUNT**

- Fixture: OLLOR-16W (Narrow Beam)
- Room Dimensions: 200' Long x 30' High Mounting Wall
- Reflectance: 0% / 50% / 20%
- Path of Egress: 6' Wide

MOUNTING HEIGHT (FT)	CEILING HEIGHT (FT)	SPACING CENTER TO CENTER (FT)	ROTATION <sup>1</sup>	NFPA 101 REQUIREMENTS		
				AVERAGE (≥ 1.0 FC)	MINIMUM (≥ 0.1 FC)	MAXIMUM / MINIMUM (≤ 40:1)
7.5	N/A	179	78	1.02	0.10	39.40
9	N/A	177	76	1.01	0.11	32.45
10	N/A	177	74	1.02	0.10	37.20
12	N/A	173	71	1.03	0.11	33.27
16	N/A	167	66	1.00	0.11	31.18
20	N/A	161	60	1.02	0.10	36.50
24	N/A	151	55	1.04	0.1 <sup>2</sup>	36.00

**NOTES**

1. Tilted away from the z-axis.
2. Intentionally left to the tenths place.

**ENCLOSED CORRIDOR - CEILING MOUNT**

- Fixture: OLLOR-16W (Narrow Beam)
- Room Dimensions: 200' Long x 15' x Ceiling Height
- Reflectance: 80% / 50% / 20%
- Path of Egress: 6' Wide

MOUNTING HEIGHT (FT)	CEILING HEIGHT (FT)	SPACING CENTER TO CENTER (FT)	ROTATION <sup>1</sup>	NFPA 101 REQUIREMENTS		
				AVERAGE (≥ 1.0 FC)	MINIMUM (≥ 0.1 FC)	MAXIMUM / MINIMUM (≤ 40:1)
7.5	7.5	200	83	1.08	0.18	14.83
9	9	200	81	1.06	0.17	15.53
10	10	200	79	1.05	0.17	15.82
12	12	200	75	1.04	0.14	20.86
14	14	200	71	1.03	0.11	29.55

**NOTES**

1. Tilted away from the z-axis.

- Fixture: OLLOR-16W (Wide Beam)
- Room Dimensions: 200' Long x Ceiling Height
- Reflectance: 80% / 50% / 20%
- Path of Egress: 6' Wide

MOUNTING HEIGHT (FT)	CEILING HEIGHT (FT)	SPACING CENTER TO CENTER (FT)	ROTATION <sup>1</sup>	NFPA 101 REQUIREMENTS		
				AVERAGE (≥ 1.0 FC)	MINIMUM (≥ 0.1 FC)	MAXIMUM / MINIMUM (≤ 40:1)
7.5	9	163	85	1.17	0.10	37.50
9	11	169	83	1.01	0.10	29.60
10	12	169	79	1.01	0.11	27.73
12	14	169	72	1.00	0.11	29.55
14	16	169	66	1.01	0.11	30.91

**NOTES**

1. Tilted away from the z-axis.

- Fixture: OLLOR-16W (Wide Beam)
- Room Dimensions: 200' Long x 30' High Mounting Wall
- Reflectance: 0% / 50% / 20%
- Path of Egress: 6' Wide

MOUNTING HEIGHT (FT)	CEILING HEIGHT (FT)	SPACING CENTER TO CENTER (FT)	ROTATION <sup>1</sup>	NFPA 101 REQUIREMENTS		
				AVERAGE (≥ 1.0 FC)	MINIMUM (≥ 0.1 FC)	MAXIMUM / MINIMUM (≤ 40:1)
7.5	N/A	137	76	1.04	0.12	38.67
9	N/A	143	72	1.01	0.12	36.33
10	N/A	143	69	1.02	0.12	36.25
12	N/A	143	64	1.03	0.11	37.55
16	N/A	139	56	1.01	0.11	32.36
20	N/A	131	48 <sup>2</sup>	1.02	0.11	29.09
24	N/A	125	41 <sup>2</sup>	1.01	0.10	28.20

**NOTES**

1. Tilted away from the z-axis.
2. Intentionally left to the tenths place.

- Fixture: OLLOR-16W (Wide Beam)
- Room Dimensions: 200' Long x 15' x Ceiling Height
- Reflectance: 80% / 50% / 20%
- Path of Egress: 6' Wide

MOUNTING HEIGHT (FT)	CEILING HEIGHT (FT)	SPACING CENTER TO CENTER (FT)	ROTATION <sup>1</sup>	NFPA 101 REQUIREMENTS		
				AVERAGE (≥ 1.0 FC)	MINIMUM (≥ 0.1 FC)	MAXIMUM / MINIMUM (≤ 40:1)
7.5	7.5	151	83	1.47	0.13	38.85
9	9	161	83	1.23	0.11	39.18
10	10	173	80	1.12	0.10	35.50
12	12	173	76	1.03	0.11	26.82
14	14	173	70	1.00	0.12	25.25

**NOTES**

1. Tilted away from the z-axis.