

DATE:

PROJECT

COMMENTS:



FEATURES

- Three capacity options: 16W, 32W, and 64W main body ratings.
- Three lamp head wattage options: 4W, 8W, and 16W.
- Supports 0 heads (for remote use), 2 heads mounted on top, or 4 heads mounted on top and bottom.
- Lamp heads feature adjustable optics for focused, long-narrow beams or wide coverage for large spaces like warehouses.
- A set screw at the bottom secures the unit to the plate for both wall and ceiling installations.
- A surface/utility mounting plate allows for direct conduit entry, surface mounting, pole mounting, Unistrut mounting, and other standard mounting configurations.
- NEMA 4X rated for protection against water and harsh conditions. Available with option Wet Location (LW) option.
- Operates in environments down to -30°C; standard operating range is 10°C to 40°C.
- Self-diagnostics come standard on all units but can be disabled if desired with the Defeat Self-Diagnostics (DD) option.
- Standard IR remote receiver on all units for convenient testing.
- Software-selectable and field-adjustable time delay feature is available on all units.
- Any capacity not used for local lamps is available for remote lamp heads up to the unit's rating.
- Remote lamps are available with 1 or 2 lamp heads (see OLLOR specification sheet)
- Combines performance with a modern, streamlined look.

ORDERING INFORMATION *OLLO-16W-WH-2-L4W-MB*

1. SERIES	2. WATTAGE	3. BODY COLOR	4. HEAD COUNT	5. HEAD WATTAGE
OLLO	-	-	-	-
	16W 16 Watts 32W 32 Watts 64W 64 Watts	WH White BZ Bronze GY Gray BK Black CC Custom Color	0 No Heads 2 2 Heads 4 4 Heads	L4W 4W LED L8W 8W LED L16W 16W LED
6. MOUNTING	7. OPTIONS			
MB	-			
MB Back Mount	LW Wet Location HX Heater/Cold Temperature DD Defeat Self-Diagnostics TD 15 Minute Time Delay			

ACCESSORIES; ORDER SEPARATELY

- **OLLO-ACCY-UNIMOUNT-WH** = Universal Mounting Box (White)
- **OLLO-ACCY-UNIMOUNT-BK** = Universal Mounting Box (Black)
- **OLLO-ACCY-UNIMOUNT-BZ** = Universal Mounting Box (Bronze)
- **OLLO-ACCY-UNIMOUNT-GY** = Universal Mounting Box (Gray)
- **OLLO-ACCY-UNIMOUNT-WH-PM** = Universal Mounting Box with Pole Mount (White)
- **OLLO-ACCY-UNIMOUNT-BK-PM** = Universal Mounting Box with Pole Mount (Black)
- **OLLO-ACCY-UNIMOUNT-BZ-PM** = Universal Mounting Box with Pole Mount (Bronze)
- **OLLO-ACCY-UNIMOUNT-GY-PM** = Universal Mounting Box with Pole Mount (Gray)

SPECIFICATIONS

CONSTRUCTION

- Constructed of die-cast aluminum housing.
- Available in White, Black, Grey, and Terracotta Bronze powder coat finishes.

ELECTRICAL

- 120-277VAC, 50-60Hz

BATTERY

- High-capacity LiFePO4 battery
- Charges within 10 hours (24 hours for cold weather variants)

MOUNTING

- Back mounted using a French cleat.
- Set screw at the bottom of the fixture secures the unit to the plate.

TEMPERATURE RATING

- Standard:** From 50°F to 104°F (10°C to 40°C)
- With Heater (HX):** Down to -22°F (-30°C)

APPROVALS

- cUL Listed in compliance with UL 924 & Canadian CSA-C22.2 No. 141-15
- NEMA 4X

WARRANTY

- Isolite offers a 5-year limited warranty. For further details, refer to General Warranty and Obligations in the Isolite manual or on our website. Lamps not warranted.

LAMP OPTIONS

0 LAMP



2 LAMPS

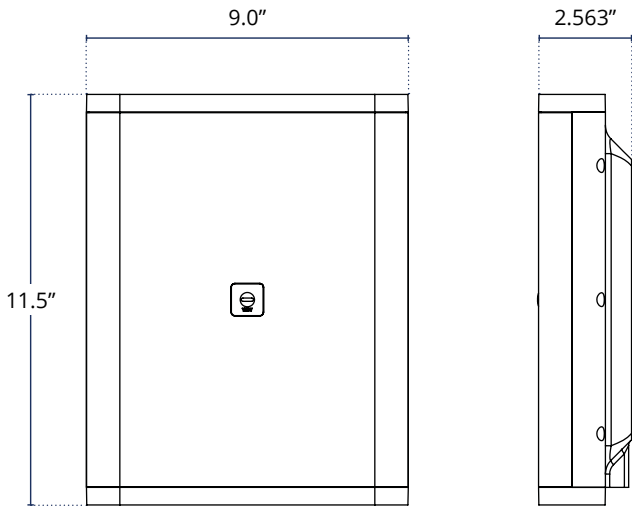


4 LAMPS

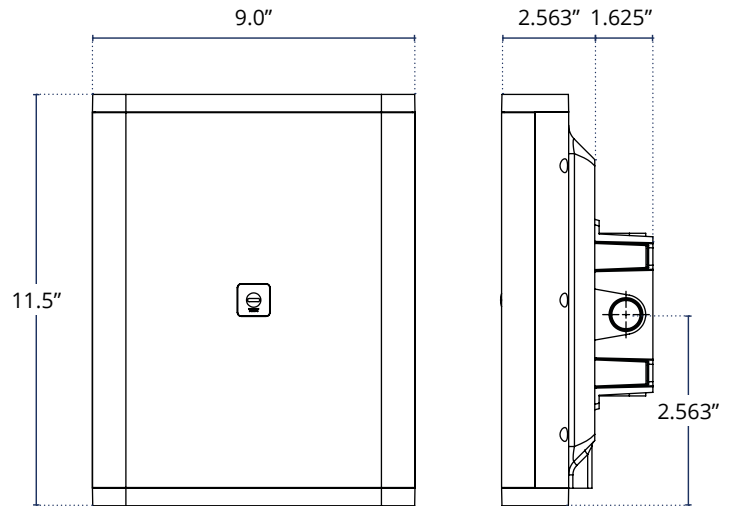


DIMENSIONS

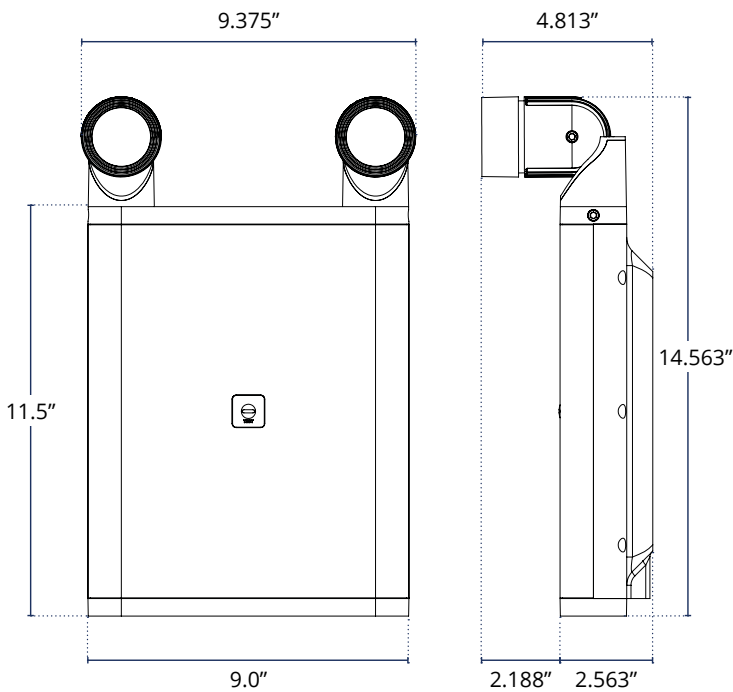
0 LAMPS



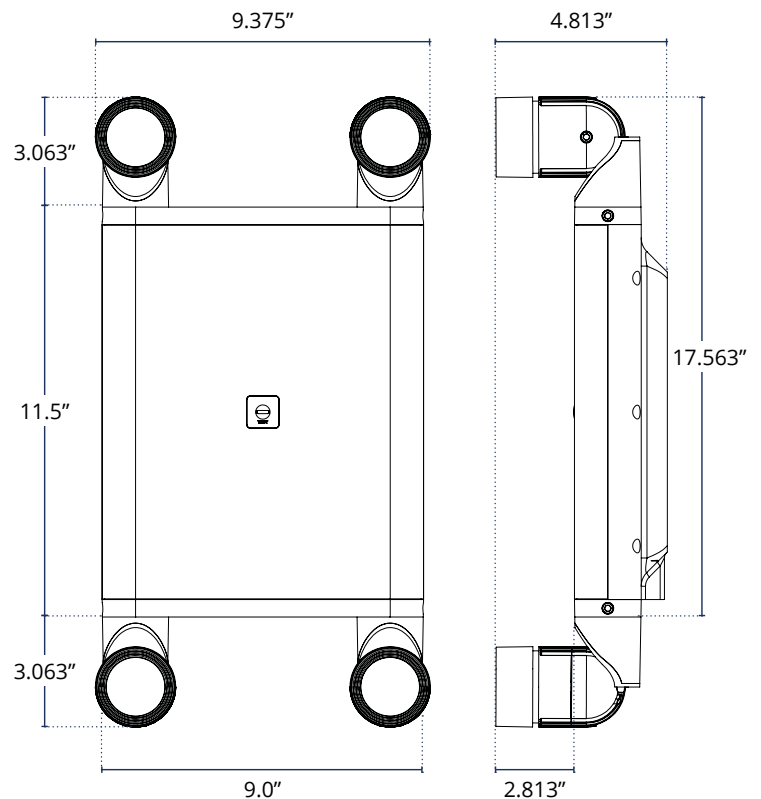
0 LAMPS WITH UNIVERSAL MOUNTING BOX



2 LAMPS



4 LAMPS



SPACING CHARTS

ENCLOSED CORRIDOR - WALL MOUNT

- Fixture: OLLO-4W (Narrow Beam)
- Room Dimensions: 200' Long x 6' x Ceiling Height
- Reflectance: 80% / 50% / 20%
- Path of Egress: 6' Wide

MOUNTING HEIGHT (FT)	CEILING HEIGHT (FT)	SPACING CENTER TO CENTER (FT)	ROTATION ¹	NFPA 101 REQUIREMENTS		
				AVERAGE (≥ 1.0 FC)	MINIMUM (≥ 0.1 FC)	MAXIMUM / MINIMUM (≤ 40:1)
7.5	9	200	80	1.14	0.11	33.82
9	11	200	79	1.03	0.13	23.08
10	12	200	77	1.02	0.12	25.75
12	14	199	74	1.00	0.11	27.73
14	16	197	72	1.14	0.12	24.50
24'	30'	112'	112'	1.00 Fc	0.11 Fc	23.55

NOTES

1. Tilted away from the z-axis.

- Fixture: OLLO-4W (Wide Beam)
- Room Dimensions: 200' Long x Ceiling Height
- Reflectance: 80% / 50% / 20%
- Path of Egress: 6' Wide

MOUNTING HEIGHT (FT)	CEILING HEIGHT (FT)	SPACING CENTER TO CENTER (FT)	ROTATION ¹	NFPA 101 REQUIREMENTS		
				AVERAGE (≥ 1.0 FC)	MINIMUM (≥ 0.1 FC)	MAXIMUM / MINIMUM (≤ 40:1)
7.5	9	101	66	1.00	0.11	37.45
9	11	97	60	1.01	0.11	36.00
10	12	95	57	1.01	0.11	34.09
12	14	91	51 ²	1.00	0.11	30.91
14	16	87	46 ²	1.00	0.11	27.73

NOTES

1. Tilted away from the z-axis.
2. Lampheads have to be mounted on the bottom.

OPEN ROOM - WALL MOUNT

- Fixture: OLLO-4W (Narrow Beam)
- Room Dimensions: 200' Long x 30' High Mounting Wall
- Reflectance: 0% / 50% / 20%
- Path of Egress: 6' Wide

MOUNTING HEIGHT (FT)	CEILING HEIGHT (FT)	SPACING CENTER TO CENTER (FT)	ROTATION ¹	NFPA 101 REQUIREMENTS		
				AVERAGE (≥ 1.0 FC)	MINIMUM (≥ 0.1 FC)	MAXIMUM / MINIMUM (≤ 40:1)
7.5	N/A	91	71	1.00	0.12	29.08
9	N/A	91	67	1.01	0.12	30.67
10	N/A	95	63	1.00	0.11	39.09
12	N/A	91	59	1.01	0.11	37.45
16	N/A	87	51 ²	1.00	0.1 ³	40.00

NOTES

1. Tilted away from the z-axis.
2. Lampheads have to be mounted on the bottom.
3. Intentionally left to the tenths place.

- Fixture: OLLO-4W (Wide Beam)
- Room Dimensions: 200' Long x 30' High Mounting Wall
- Reflectance: 0% / 50% / 20%
- Path of Egress: 6' Wide

MOUNTING HEIGHT (FT)	CEILING HEIGHT (FT)	SPACING CENTER TO CENTER (FT)	ROTATION ¹	NFPA 101 REQUIREMENTS		
				AVERAGE (≥ 1.0 FC)	MINIMUM (≥ 0.1 FC)	MAXIMUM / MINIMUM (≤ 40:1)
7.5	N/A	83	62	1.01	0.13	35.54
9	N/A	83	57	1.00	0.12	34.83
10	N/A	81	54 ²	1.00	0.12	32.42
12	N/A	77	48 ²	1.02	0.12	28.92
16	N/A	73	36 ²	1.02	0.11	25.73

NOTES

1. Tilted away from the z-axis.
2. Lampheads have to be mounted on the bottom.

ENCLOSED CORRIDOR - CEILING MOUNT

- Fixture: OLLO-4W (Narrow Beam)
- Room Dimensions: 200' Long x 15' x Ceiling Height
- Reflectance: 80% / 50% / 20%
- Path of Egress: 6' Wide

MOUNTING HEIGHT (FT)	CEILING HEIGHT (FT)	SPACING CENTER TO CENTER (FT)	ROTATION ¹	NFPA 101 REQUIREMENTS		
				AVERAGE (≥ 1.0 FC)	MINIMUM (≥ 0.1 FC)	MAXIMUM / MINIMUM (≤ 40:1)
7.5	7.5	118	71	1.01	0.11	33.18
9	9	116	69	1.00	0.11	32.09
10	10	114	66	1.02	0.10	37.70
12	12	110	62	1.00	0.10	36.70
14	14	106	58	1.00	0.10	36.30

NOTES

1. Tilted away from the z-axis.

- Fixture: OLLO-4W (Wide Beam)
- Room Dimensions: 200' Long x 15' x Ceiling Height
- Reflectance: 80% / 50% / 20%
- Path of Egress: 6' Wide

MOUNTING HEIGHT (FT)	CEILING HEIGHT (FT)	SPACING CENTER TO CENTER (FT)	ROTATION ¹	NFPA 101 REQUIREMENTS		
				AVERAGE (≥ 1.0 FC)	MINIMUM (≥ 0.1 FC)	MAXIMUM / MINIMUM (≤ 40:1)
8	8	107	67	1.01	0.10	39.20
9	9	105	63	1.01	0.10	38.50
10	10	101	60	1.02	0.11	33.00
12	12	97	54	1.00	0.11	30.27
14	14	93	48	1.00	0.10	30.90

NOTES

1. Tilted away from the z-axis.

SPACING CHARTS (CONTINUED)

ENCLOSED CORRIDOR - WALL MOUNT

- Fixture: OLLO-8W (Narrow Beam)
- Room Dimensions: 200' Long x 6' x Ceiling Height
- Reflectance: 80% / 50% / 20%
- Path of Egress: 6' Wide

MOUNTING HEIGHT (FT)	CEILING HEIGHT (FT)	SPACING CENTER TO CENTER (FT)	ROTATION ¹	NFPA 101 REQUIREMENTS		
				AVERAGE (≥ 1.0 FC)	MINIMUM (≥ 0.1 FC)	MAXIMUM / MINIMUM (≤ 40:1)
7.5	9	165	77	1.03	0.10	34.10
9	11	161	74	1.02	0.10	33.80
10	12	157	72	1.03	0.10	34.20
12	14	153	69	1.01	0.10	32.60
14	16	149	66	1.00	0.11	29.00

NOTES

1. Tilted away from the z-axis.

OPEN ROOM - WALL MOUNT

- Fixture: OLLO-8W (Narrow Beam)
- Room Dimensions: 200' Long x 30' High Mounting Wall
- Reflectance: 0% / 50% / 20%
- Path of Egress: 6' Wide

MOUNTING HEIGHT (FT)	CEILING HEIGHT (FT)	SPACING CENTER TO CENTER (FT)	ROTATION ¹	NFPA 101 REQUIREMENTS		
				AVERAGE (≥ 1.0 FC)	MINIMUM (≥ 0.1 FC)	MAXIMUM / MINIMUM (≤ 40:1)
7.5	N/A	137	74	1.04	0.11	38.91
9	N/A	137	72	1.01	0.11	34.18
10	N/A	137	70	1.00	0.11	34.45
12	N/A	133	67	1.00	0.12	29.83
16	N/A	129	60	1.00	0.10	37.10
20	N/A	121	54 ²	1.02	0.1 ³	36.50

NOTES

1. Tilted away from the z-axis.
2. Lampheads have to be mounted on the bottom.
3. Intentionally left to the tenths place.

ENCLOSED CORRIDOR - CEILING MOUNT

- Fixture: OLLO-8W (Narrow Beam)
- Room Dimensions: 200' Long x 15' x Ceiling Height
- Reflectance: 80% / 50% / 20%
- Path of Egress: 6' Wide

MOUNTING HEIGHT (FT)	CEILING HEIGHT (FT)	SPACING CENTER TO CENTER (FT)	ROTATION ¹	NFPA 101 REQUIREMENTS		
				AVERAGE (≥ 1.0 FC)	MINIMUM (≥ 0.1 FC)	MAXIMUM / MINIMUM (≤ 40:1)
7.5	7.5	181	78	1.01	0.10	30.60
9	9	177	76	1.00	0.10	30.30
10	10	169	74	1.00	0.11	27.64
12	12	163	70	1.00	0.10	31.80
14	14	153	67	1.00	0.11	28.00

NOTES

1. Tilted away from the z-axis.

- Fixture: OLLO-8W (Wide Beam)
- Room Dimensions: 200' Long x Ceiling Height
- Reflectance: 80% / 50% / 20%
- Path of Egress: 6' Wide

MOUNTING HEIGHT (FT)	CEILING HEIGHT (FT)	SPACING CENTER TO CENTER (FT)	ROTATION ¹	NFPA 101 REQUIREMENTS		
				AVERAGE (≥ 1.0 FC)	MINIMUM (≥ 0.1 FC)	MAXIMUM / MINIMUM (≤ 40:1)
7.5	9	141	77	1.00	0.10	36.80
9	11	139	71	1.01	0.10	37.80
10	12	135	67	1.04	0.10	38.80
12	14	133	62	1.01	0.10	36.00
14	16	129	57	1.00	0.10	34.10

NOTES

1. Tilted away from the z-axis.

- Fixture: OLLO-8W (Wide Beam)
- Room Dimensions: 200' Long x 30' High Mounting Wall
- Reflectance: 0% / 50% / 20%
- Path of Egress: 6' Wide

MOUNTING HEIGHT (FT)	CEILING HEIGHT (FT)	SPACING CENTER TO CENTER (FT)	ROTATION ¹	NFPA 101 REQUIREMENTS		
				AVERAGE (≥ 1.0 FC)	MINIMUM (≥ 0.1 FC)	MAXIMUM / MINIMUM (≤ 40:1)
7.5	N/A	113	70	1.03	0.12	39.67
9	N/A	115	66	1.01	0.12	35.75
10	N/A	115	63	1.00	0.11	37.82
12	N/A	115	57	1.00	0.10	40.00
16	N/A	107	48 ²	1.01	0.10	33.30
20	N/A	99	40 ²	1.00	0.11	25.18

NOTES

1. Tilted away from the z-axis.
2. Lampheads have to be mounted on the bottom.

- Fixture: OLLO-8W (Wide Beam)
- Room Dimensions: 200' Long x 15' x Ceiling Height
- Reflectance: 80% / 50% / 20%
- Path of Egress: 6' Wide

MOUNTING HEIGHT (FT)	CEILING HEIGHT (FT)	SPACING CENTER TO CENTER (FT)	ROTATION ¹	NFPA 101 REQUIREMENTS		
				AVERAGE (≥ 1.0 FC)	MINIMUM (≥ 0.1 FC)	MAXIMUM / MINIMUM (≤ 40:1)
7.5	7.5	145	81	1.02	0.10	31.20
9	9	143	75	1.03	0.10	34.90
10	10	143	72	1.00	0.11	30.73
12	12	139	65	1.00	0.11	31.45
14	14	131	59	1.03	0.11	30.82

NOTES

1. Tilted away from the z-axis.

SPACING CHARTS (CONTINUED)

ENCLOSED CORRIDOR - WALL MOUNT

- Fixture: OLLO-16W (Narrow Beam)
- Room Dimensions: 200' Long x 6' x Ceiling Height
- Reflectance: 80% / 50% / 20%
- Path of Egress: 6' Wide

MOUNTING HEIGHT (FT)	CEILING HEIGHT (FT)	SPACING CENTER TO CENTER (FT)	ROTATION ¹	NFPA 101 REQUIREMENTS		
				AVERAGE (≥ 1.0 FC)	MINIMUM (≥ 0.1 FC)	MAXIMUM / MINIMUM (≤ 40:1)
7.5	9	200	80	1.14	0.11	33.82
9	11	200	79	1.03	0.13	23.08
10	12	200	77	1.02	0.12	25.75
12	14	199	74	1.00	0.11	27.73
14	16	197	72	1.14	0.12	24.50

NOTES

1. Tilted away from the z-axis.

OPEN ROOM - WALL MOUNT

- Fixture: OLLO-16W (Narrow Beam)
- Room Dimensions: 200' Long x 30' High Mounting Wall
- Reflectance: 0% / 50% / 20%
- Path of Egress: 6' Wide

MOUNTING HEIGHT (FT)	CEILING HEIGHT (FT)	SPACING CENTER TO CENTER (FT)	ROTATION ¹	NFPA 101 REQUIREMENTS		
				AVERAGE (≥ 1.0 FC)	MINIMUM (≥ 0.1 FC)	MAXIMUM / MINIMUM (≤ 40:1)
7.5	N/A	179	78	1.02	0.10	39.40
9	N/A	177	76	1.01	0.11	32.45
10	N/A	177	74	1.02	0.10	37.20
12	N/A	173	71	1.03	0.11	33.27
16	N/A	167	66	1.00	0.11	31.18
20	N/A	161	60	1.02	0.10	36.50
24	N/A	151	55	1.04	0.1 ²	36.00

NOTES

1. Tilted away from the z-axis.
2. Intentionally left to the tenths place.

ENCLOSED CORRIDOR - CEILING MOUNT

- Fixture: OLLO-16W (Narrow Beam)
- Room Dimensions: 200' Long x 15' x Ceiling Height
- Reflectance: 80% / 50% / 20%
- Path of Egress: 6' Wide

MOUNTING HEIGHT (FT)	CEILING HEIGHT (FT)	SPACING CENTER TO CENTER (FT)	ROTATION ¹	NFPA 101 REQUIREMENTS		
				AVERAGE (≥ 1.0 FC)	MINIMUM (≥ 0.1 FC)	MAXIMUM / MINIMUM (≤ 40:1)
7.5	7.5	200	83	1.08	0.18	14.83
9	9	200	81	1.06	0.17	15.53
10	10	200	79	1.05	0.17	15.82
12	12	200	75	1.04	0.14	20.86
14	14	200	71	1.03	0.11	29.55

NOTES

1. Tilted away from the z-axis.

- Fixture: OLLO-16W (Wide Beam)
- Room Dimensions: 200' Long x Ceiling Height
- Reflectance: 80% / 50% / 20%
- Path of Egress: 6' Wide

MOUNTING HEIGHT (FT)	CEILING HEIGHT (FT)	SPACING CENTER TO CENTER (FT)	ROTATION ¹	NFPA 101 REQUIREMENTS		
				AVERAGE (≥ 1.0 FC)	MINIMUM (≥ 0.1 FC)	MAXIMUM / MINIMUM (≤ 40:1)
7.5	9	163	85	1.17	0.10	37.50
9	11	169	83	1.01	0.10	29.60
10	12	169	79	1.01	0.11	27.73
12	14	169	72	1.00	0.11	29.55
14	16	169	66	1.01	0.11	30.91

NOTES

1. Tilted away from the z-axis.

- Fixture: OLLO-16W (Wide Beam)
- Room Dimensions: 200' Long x 30' High Mounting Wall
- Reflectance: 0% / 50% / 20%
- Path of Egress: 6' Wide

MOUNTING HEIGHT (FT)	CEILING HEIGHT (FT)	SPACING CENTER TO CENTER (FT)	ROTATION ¹	NFPA 101 REQUIREMENTS		
				AVERAGE (≥ 1.0 FC)	MINIMUM (≥ 0.1 FC)	MAXIMUM / MINIMUM (≤ 40:1)
7.5	N/A	137	76	1.04	0.12	38.67
9	N/A	143	72	1.01	0.12	36.33
10	N/A	143	69	1.02	0.12	36.25
12	N/A	143	64	1.03	0.11	37.55
16	N/A	139	56	1.01	0.11	32.36
20	N/A	131	48 ²	1.02	0.11	29.09
24	N/A	125	41 ²	1.01	0.10	28.20

NOTES

1. Tilted away from the z-axis.
2. Intentionally left to the tenths place.

- Fixture: OLLO-16W (Wide Beam)
- Room Dimensions: 200' Long x 15' x Ceiling Height
- Reflectance: 80% / 50% / 20%
- Path of Egress: 6' Wide

MOUNTING HEIGHT (FT)	CEILING HEIGHT (FT)	SPACING CENTER TO CENTER (FT)	ROTATION ¹	NFPA 101 REQUIREMENTS		
				AVERAGE (≥ 1.0 FC)	MINIMUM (≥ 0.1 FC)	MAXIMUM / MINIMUM (≤ 40:1)
7.5	7.5	151	83	1.47	0.13	38.85
9	9	161	83	1.23	0.11	39.18
10	10	173	80	1.12	0.10	35.50
12	12	173	76	1.03	0.11	26.82
14	14	173	70	1.00	0.12	25.25

NOTES

1. Tilted away from the z-axis.