

DATE:

PROJECT:

COMMENTS:

FEATURES

- Extremely low profile, formed aluminum housing.
- Available in white, black or brushed aluminum finish.
- Lamps are connected in parallel. If one lamp fails, one or more lamps will continue in operation
- Standard CCT 5000K, with 2900K, 3200K and 3800K options available
- Over 50,000 hour lamp life in normal use
- IES photometric data available for all models



ORDERING INFORMATION *ODLE-10-AC-BA-MTB*

1. SERIES

ODLE

2. VA RATING

10 10 Watt
20 20 Watt

3. OPERATION

AC AC Only
EM Battery Backup

4. HOUSING COLOR

BA Brushed Aluminum
WH White
BK Black

5. MOUNTING

MTB

MTB Mount Top Back

6. OPTIONS

BLANK = NO OPTION
SD Self-Diagnostics
C1 Dual Circuit (120V)
C2 Dual Circuit (277V)
HX Internal Heater
2900K 2900K Lens Filter
3200K 3200K Lens Filter
3800K 3800K Lens Filter

CONSTRUCTION

- Low profile, formed aluminum housing
- Full 90° cut-off
- Lamp housing and canopy are fabricated from extruded aluminum
- Enamel or anodized finishes, with rugged sealed diffuser lens
- Stainless steel hardware

ELECTRONICS

- Universal 120/277 VAC input for standard
- Power supply delivers regulated current and voltage to LED lamps at optimum levels to maximize lamp life
- Automatic battery diagnostics available for battery models

TEMPERATURE RATING

- EM:** Backup Battery: -4°F to 104°F

APPROVALS

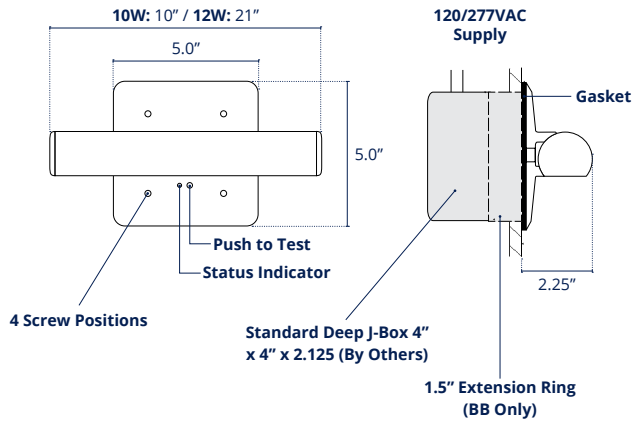
- UL 924
- NFPA 101 Life Safety Code
- IP66

WARRANTY

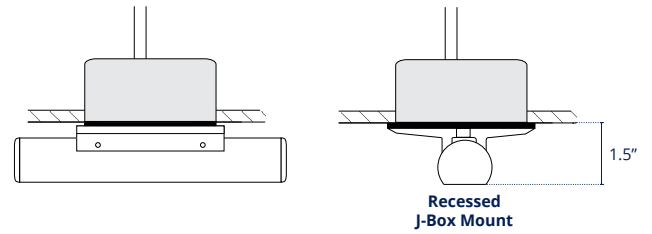
Isolite offers a 3-year limited warranty. For further details, refer to General Warranty and Obligations in the Isolite manual or on our website. Lamps not warranted.

MOUNTING DIMENSIONS

Wall Mount



Ceiling Mount



SELF-TEST DIAGNOSTIC FUNCTIONS

STATUS	LED DISPLAY
Normal Full Charge	Green On
Normal Fast Charge	Orange On
Failed Battery	Red Flash Fast
Failed Lamp	Green Flash
Failed Transfer	Orange Flash
Failed Charger	Red Flash Slow