

## LRH

PAR18 Thermoplastic Remote Lamp Head

DATE:

COMMENTS:

PROJECT



### FEATURES

- Designed to fit most standard junction boxes
- Rotary locking collar, securely locks lens and reflector assembly into place
- Innovative design allows for quick and easy re-lamping
- Adjustable swivel lock secures the head in place
- Surface mount on wall or ceiling



### ORDERING INFORMATION *LRH-BK-1-L125*

1. SERIES	2. HOUSING COLOR	3. LAMP HEADS	4. LAMP SOURCE
LRH	-	-	-
	BK Black WH White	1 Single 2 Double 3 Triple	See Lamp Chart for Part # Example: LED 12V 5W = "L125"

### ACCESSORIES; ORDER SEPARATELY

- WG 8 = Wire guard 8.0" X 6.0" X 8.0"
- WG 9 = Wire guard 12.0" X 9.0" X 9.0"


**CONSTRUCTION**

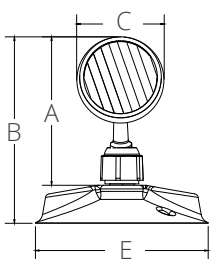
- High impact thermoplastic
- Glass lens will not yellow over time

**APPROVALS**

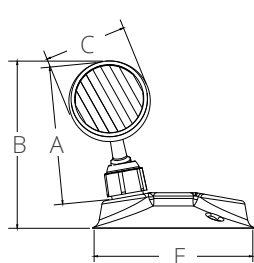
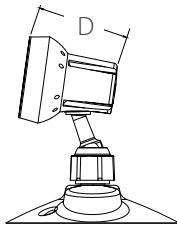
- UL924
- NFPA 101 Life Safety Code
- NFPA 70-NEC
- OSHA

**WARRANTY**

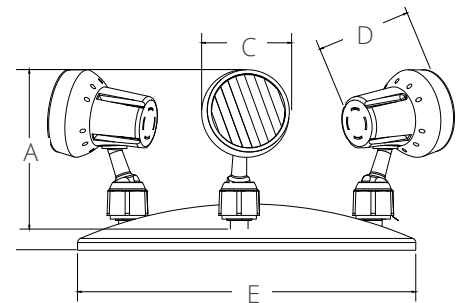
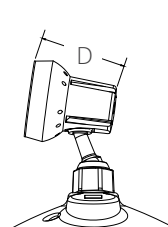
Isolite offers a 3-year limited warranty. For further details, refer to General Warranty and Obligations in Isolite manual or on our website. Lamps not warranted.

**DIMENSIONS**


SINGLE



DOUBLE



TRIPLE

DIMENSIONS (INCHES)					
MODEL	A	B	C	D	E
SINGLE (1)	4.25"	5.38"	2.75"	2.88"	5.0"
DOUBLE (2)	4.25"	5.38"	2.75"	2.88"	5.0"
TRIPLE (3)	4.25"	5.38"	2.75"	2.88"	9.5"

**LAMP CHARTS**

B - BI-PIN HALOGEN			
	6V	12V	24V
6W	B66		
8W	B68	B128	
10W	B610		
12W	B612	B1212	B2412
20W	B620	B1220	B2420

L - LED			
	6V	12V	24V
2W		L122	
5W	L65	L125	L245
7W		L127	L247

M - MR16		
	6V	12V
10W	M610	
12W		M1212