



LPDCREM

Die-Cast Aluminum Remote LED Exit Sign

DATE:	COMMENTS:
PROJECT:	



FEATURES

- Illumination 4 times brighter than UL 924 requirement with super-bright, longlife LEDs that have a 25+ year life expectancy.
- LED exit sign with remote capability.
- Unique electronic driver circuit provides current control and protection, ensuring optimum LED efficiency and life.
- Fine grain brushed aluminum stencil trim standard with specialty finish upon request.
- Can be powered by ELTMR2 and LPDCMR.



ORDERING INFORMATION *LPDCREM-G-1-BA-BA-MB*

1. SERIES	2. ILLUMINATION	3. FACE COUNT	4. FACE & FRAME COLOR	5. MOUNTING
LPDCREM	-	-	-	-
	G Green R Red	1 Single 2 Double	BA-BA All Brushed Aluminum BA-BK Brushed Aluminum Face / Black Body BA-WH Brushed Aluminum Face / White Body BK-BK All Black WH-WH All White CC Custom Color	MB Back Mount MTEB Top/End/Back Mount MRW Recessed Wall MRWLB Recessed Wall, Less Backbox MPA 12" Pendant Mount MPB 24" Pendant Mount MPC 36" Pendant Mount MPD 48" Pendant Mount

6. OPTIONS

BLANK = NO OPTION

LD Damp Location

TP Tamper Proof Screws

VR 1/8" Vandal Resistant Lens (Includes Tamper proof screws)

ACCESSORIES; ORDER SEPARATELY

- LPDCREM-ACCY-RBB = Recessed Backbox for LPDCREM
- WG-16.5LX14.0WX3.0D = Wireguard, Length: 16.5", Width: 14", Depth: 3"
- WG-16.5LX14.0WX6.0D = Wireguard, Length: 16.5", Width: 14", Depth: 6"
- WG-20.0LX19.0WX9.0D = Wireguard, Length: 20", Width: 19", Depth: 9"
- WG-26.0LX19.0WX9.0D = Wireguard, Length: 26", Width: 19", Depth: 9"

NOTE: Wireguards only available with Back Mount.



SPECIFICATIONS

CONSTRUCTION

- Injection molded, internal cavity reflector provides ease of installation and maintenance together with perfectly even legend illumination.
- Two piece, heavy-duty walls constructed from die-cast aluminum alloy. Removable front stencil face with overlapping light seal.
- Hidden knock-out access points and universal pattern.
- Optional recess frame, polycarbonate face shield with tamper proof access screws, pendant and specialty mounts.

LETTERS

- 6.0" high; 0.75" stroke

ARROWS

- NFPA-Type, universal field selectable chevrons.

CANOPY SIZE

- 4.75" x 4.75" x 0.75"

TEMPERATURE RATING

- From 32°F to 102°F

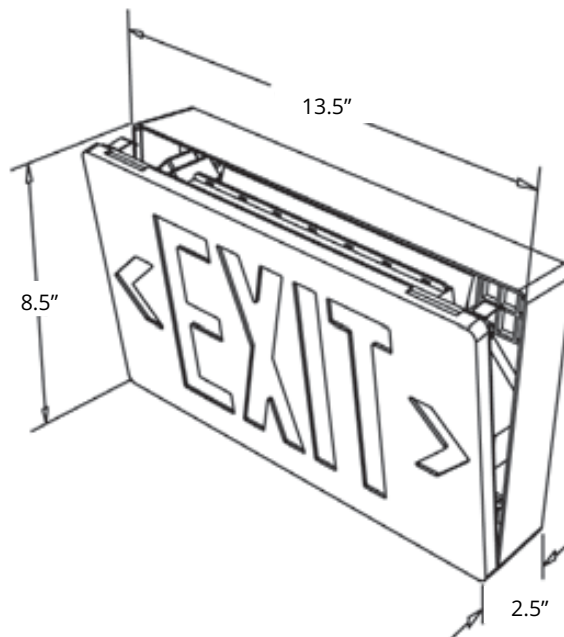
APPROVALS

- UL 924
- CEC Title 20 Compliant
- NFPA 101 Life Safety Code
- NFPA 70-NEC
- OSHA
- BAA Compliant

WARRANTY

Isolite offers a 5-year limited warranty. For further details, refer to General Warranty and Obligations in the Isolite manual or on our website.

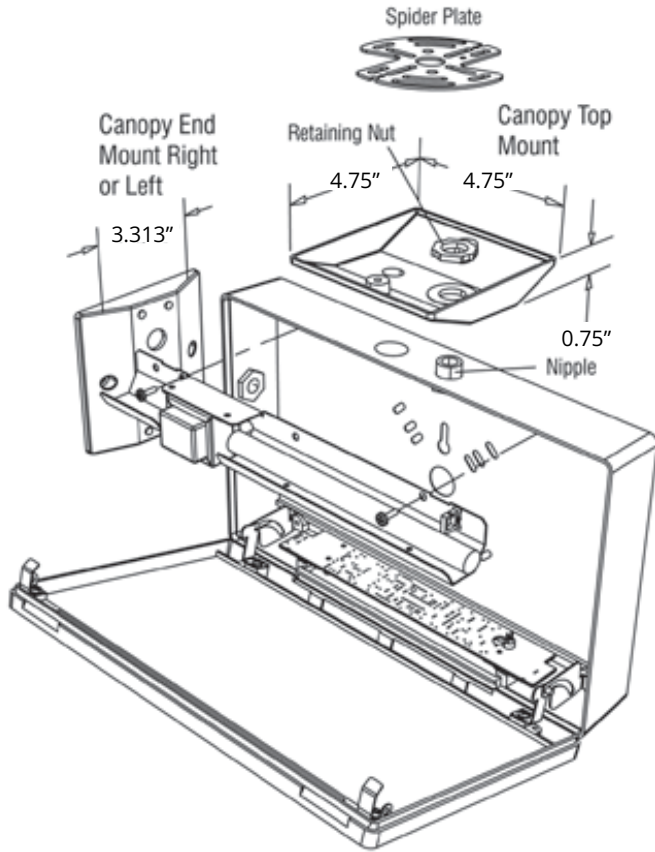
DIMENSIONS





MOUNTING

TOP & END MOUNTING



SWIVEL PENDANT MOUNTING

Octagon junction box
(recessed in the ceiling
supplied by others)

