



COMBINED FAMILY SPECIFICATION

---

**LPDC2 Standard**

**LPDC2 Wet Location**

**LPDC2 Hybrid**

# LPDC2

Die-Cast Aluminum LED Exit Sign

DATE:	COMMENTS:
PROJECT:	



## FEATURES

- Maintenance-free, super-bright LEDs with a 25+ year lifespan provide illumination four times brighter than UL 924 requirements, enhanced by a spectrally-matched diffuser for superior brightness and uniformity.
- Premium, maintenance-free Nickel Cadmium battery ensures at least 2 hours of operating time for EM units, while a Nickel Metal Hydride battery provides the same for SD units.
- New entry plug eliminates knockouts, reducing installation time.
- 120/277 VAC with field selectable inputs with quick install whip connector.
- Self-Test / Self-Diagnostic monitoring available.
- SD units include a self-compensating constant current charger circuit that monitors the battery pack's condition and uses a flashing LED to signal when the battery needs replacement or if there are other faults.
- Electronic control circuit delivers full-wave, low-ripple current to each LED, optimizing lifespan and light output.
- EM units can power one remote exit sign, while SD units can power either one remote exit sign or up to two lamp heads.
- Fine grain brushed aluminum stencil trim standard with specialty finish upon request.
- Optional polycarbonate face shield, tamper-proof screws, swivel pendant, and specialty mounts.
- Line-latch prevents unnecessary discharge of battery during installation. Loads will not illuminate until after application of utility power.
- Brownout detection ensures emergency operation during periods of low line voltage.
- Zero current low-voltage disconnect used to prevent battery from being overly discharged.

## ORDERING INFORMATION *LPDC2-AC-G-1-BA-BA-MB*

1. SERIES	2. OPERATION	3. ILLUMINATION	4. FACE COUNT	5. BODY COLOR
LPDC2	-	-	-	-
	<b>AC</b> AC Only <b>EM</b> Ni-Cad Battery Backup	<b>R</b> Red <b>G</b> Green	<b>1</b> Single <b>2</b> Double <b>U</b> Universal	<b>BA</b> Brushed Aluminum <b>WH</b> White <b>BK</b> Black <b>CC</b> Custom
6. FACE COLOR	7. MOUNTING	8. OPTIONS		
<b>BA</b> Brushed Aluminum <b>WH</b> White <b>BK</b> Black <b>CC</b> Custom	<b>MTEB</b> Top/End/Back Mount <b>MB</b> Back Mount <b>ME</b> End Mount <b>MS</b> Stanchion Mount <b>MCE</b> Direct Conduit Entry <b>MPA</b> 12" Swivel Mount <b>MPB</b> 24" Swivel Mount <b>MPC</b> 36" Swivel Mount <b>MPD</b> 48" Swivel Mount <b>MPE</b> 60" Swivel Mount <b>MPF</b> 72" Swivel Mount	<b>BLANK = NO OPTION</b> <b>HX</b> Heater/Cold Temperature <b>CX</b> Dual Circuit 120/277VAC (AC Only) <b>DL</b> Damp Location <b>FA</b> Fire Alarm Interface <b>FL</b> Flasher <b>SD</b> Self-Diagnostic/IR Receiver <b>VR</b> Vandal Shield <b>TP</b> Tamperproof Screws <b>EEW</b> Extended Electronics Warranty		



## ACCESSORIES; ORDER SEPARATELY

- **TLRT** = Infrared Remote Control
- **WG-16.5LX14.0WX3.0D** = Wireguard, Length: 16.5", Width: 14", Depth: 3"
- **WG-16.5LX14.0WX6.0D** = Wireguard, Length: 16.5", Width: 14", Depth: 6"
- **WG-20.0LX19.0WX9.0D** = Wireguard, Length: 20", Width: 19", Depth: 9"
- **WG-26.0LX19.0WX9.0D** = Wireguard, Length: 26", Width: 19", Depth: 9"

NOTE: Wireguards only available with Back Mount.

## SPECIFICATIONS

### CONSTRUCTION

- Injection-molded reflector ensures easy installation, maintenance, and even illumination.
- Heavy-duty, three-piece die-cast aluminum housing with a removable front stencil and light seal.
- Sleek 2.5" profile with softened corners and chamfered edges.
- Optional polycarbonate face shield, tamper-proof screws, swivel pendant, and specialty mounts.

### LETTERS

- 6.0" high; 0.75" stroke

### ARROWS

- NFPA type, universal field selectable chevrons.

### VIEWING DISTANCE

- 100 foot visibility rating

### CANOPY

- Low-profile universal canopy with 0.75" cast nipple and locking nuts.

### INPUT POWER

- AC models: 3.24W
- EM models: 4.08W

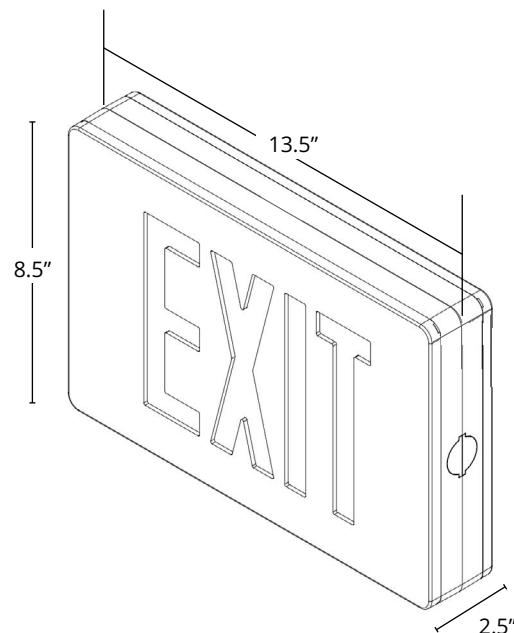
### APPROVALS

- UL 924 Listed to 100ft Visibility Distance
- CEC Title 20 Compliant
- NFPA 101 Life Safety Code
- NFPA 70-NEC
- OSHA
- NEMA 4X
- BAA Compliant

### WARRANTY

- Isolite offers a 5-year limited warranty. For further details, refer to General Warranty and Obligations in the Isolite manual or on our website.
- The EEW option extends the electronics warranty to 10 years. Batteries are not included in the extended warranty.

## DIMENSIONS





# LPDC2 - Wet Location

Wet Location Die-Cast Aluminum LED Exit Sign

DATE:	COMMENTS:
PROJECT:	



## FEATURES

- Durable silicone gasket ensures IP66 Wet Location rating and meets NEMA 4X and IP66 standards.
- Vandal-resistant, clear UV-stabilized polycarbonate face secured with tamper-resistant stainless-steel screws.
- The maintenance-free, high-intensity LED light source offers a lifespan of 25+ years with less than 5W power consumption, delivering exceptional energy efficiency and superior illumination through fully automatic operation.
- Premium, maintenance-free Nickel Cadmium battery provides a minimum of 90 minutes of operating time.
- Solid-state constant current charger recharges the battery within 24 hours.
- SD units feature standard self-test/self-diagnostic circuitry that monitors critical functions, conducting a 5-minute discharge test monthly and completing system tests biannually and annually.
- Test switch and AC present indicator light with an optional infrared testing function are available.
- New entry plug eliminates knockouts, reducing installation time.
- 120/277 VAC with field selectable inputs.
- Self-Test / Self-Diagnostic monitoring available.
- Electronic control circuit delivers full-wave, low-ripple current to each LED, optimizing lifespan and light output.
- Durable powder coat finish in matte black or matte white.
- Line-latch prevents unnecessary discharge of battery during installation. Loads will not illuminate until after application of utility power.
- Brownout detection ensures emergency operation during periods of low line voltage.
- Zero current low-voltage disconnect used to prevent battery from being overly discharged.
- Suitable for indoor, outdoor, damp, and wet locations.

## ORDERING INFORMATION LPDC2-LW-AC-G-1-BA-BA-MB-LW

1. SERIES	2. OPERATION	3. ILLUMINATION	4. FACE COUNT	5. BODY COLOR
LPDC2	-	-	-	-
	<b>AC</b> AC Only <b>EM</b> Ni-Cad Battery Backup	<b>R</b> Red <b>G</b> Green	<b>1</b> Single <b>2</b> Double <b>U</b> Universal	<b>WH</b> White <b>BK</b> Black <b>CC</b> Custom
6. FACE COLOR	7. MOUNTING	8. OPTIONS	9. WET LOCATION	
<b>BA</b> Brushed Aluminum <b>WH</b> White <b>BK</b> Black <b>CC</b> Custom	<b>MTEB</b> Top/End/Back Mount <b>MB</b> Back Mount <b>ME</b> End Mount <b>MS</b> Stanchion Mount <b>MCE</b> Direct Conduit Entry	<b>BLANK = NO OPTION</b> <b>HX</b> Heater/Cold Temperature <b>CX</b> Dual Circuit 120/277VAC (AC Only) <b>FA</b> Fire Alarm Interface <b>FL</b> Flasher <b>SD</b> Self-Diagnostic/IR Receiver <b>VR</b> Vandal Shield <b>TP</b> Tamperproof Screws <b>EEW</b> Extended Electronics Warranty	<b>LW</b> Wet Location	



## ACCESSORIES; ORDER SEPARATELY

- **TLRT** = Infrared Remote Control
- **WG-16.5LX14.0WX3.0D** = Wireguard, Length: 16.5", Width: 14", Depth: 3"
- **WG-16.5LX14.0WX6.0D** = Wireguard, Length: 16.5", Width: 14", Depth: 6"
- **WG-20.0LX19.0WX9.0D** = Wireguard, Length: 20", Width: 19", Depth: 9"
- **WG-26.0LX19.0WX9.0D** = Wireguard, Length: 26", Width: 19", Depth: 9"

NOTE: Wireguards only available with Back Mount.

## SPECIFICATIONS

### CONSTRUCTION

- Injection-molded internal cavity reflector and heavy-duty pressure die-cast aluminum alloy ensure easy installation, maintenance, and even illumination.

### LETTERS

- 6.0" high; 0.75" stroke

### ARROWS

- NFPA type, universal field selectable chevrons.

### VIEWING DISTANCE

- 100 foot visibility rating

### TEMPERATURE RATING

- **Standard:** 45°F to 113°F (7° C to 45°C)
- **With HX Option:**  
-40°F to 113°F (-40°C to 45°C)

### CANOPY

- Low-profile universal canopy with 0.75" cast nipple and locking nuts.

### INPUT POWER

- AC models: 3.24W
- EM models: 4.08W

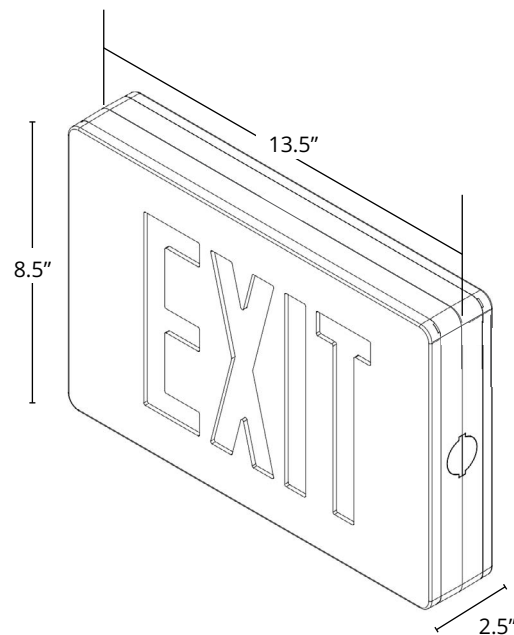
### APPROVALS

- UL 924 Listed to 100ft Visibility Distance
- CEC Title 20 Compliant
- NFPA 101 Life Safety Code
- NFPA 70-NEC
- OSHA
- NEMA 4X
- IP66
- BAA Compliant

### WARRANTY

- Isolite offers a 3-year limited warranty. For further details, refer to General Warranty and Obligations in the Isolite manual or on our website.
- The EEW option extends the electronics warranty to 10 years. Batteries are not included in the extended warranty.

## DIMENSIONS





# LPDC2 - Hybrid

Photoluminescent/LED Die-Cast Aluminum LED Exit Sign

DATE:	COMMENTS:
PROJECT:	



## FEATURES

- Internal LEDs are used to charge the photoluminescence material internally for an eco-friendly solution.
- Maintenance-free LED light source with a lifespan of 25+ years and less than 5W power consumption.
- Non-electrical photoluminescence illuminates the letters when AC power fails.
- Requires no electricity or external light source.
- Maintenance free with no lamps or batteries to replace.
- New entry plug eliminates knockouts, reducing installation time.
- 120/277 VAC with field selectable inputs with quick install whip connector.
- Fine grain brushed aluminum stencil trim standard with specialty finish upon request.
- Optional polycarbonate face shield, tamper-proof screws, swivel pendant, and specialty mounts.



## ORDERING INFORMATION LPDC2-HY-AC-G-1-BA-BA-MB

1. SERIES	2. ILLUMINATION	3. FACE COUNT	4. BODY COLOR	5. FACE COLOR
LPDC2-HY	G	-	-	-
	G Green	1 Single 2 Double U Universal	BA Brushed Aluminum WH White BK Black CC Custom	BA Brushed Aluminum WH White BK Black CC Custom
6. MOUNTING	7. OPTIONS			
MTEB Top/End/Back Mount MB Back Mount ME End Mount MS Stanchion Mount MCE Direct Conduit Entry MPA 12" Swivel Mount MPB 24" Swivel Mount MPC 36" Swivel Mount MPD 48" Swivel Mount MPE 60" Swivel Mount MPF 72" Swivel Mount	BLANK = NO OPTION DL Damp Location LW Wet Location VR Vandal Shield TP Tamperproof Screws			

## ACCESSORIES; ORDER SEPARATELY

- TLRT = Infrared Remote Control
- WG-16.5LX14.0WX3.0D = Wireguard, Length: 16.5", Width: 14", Depth: 3"
- WG-16.5LX14.0WX6.0D = Wireguard, Length: 16.5", Width: 14", Depth: 6"
- WG-20.0LX19.0WX9.0D = Wireguard, Length: 20", Width: 19", Depth: 9"
- WG-26.0LX19.0WX9.0D = Wireguard, Length: 26", Width: 19", Depth: 9"

NOTE: Wireguards only available with Back Mount.



## SPECIFICATIONS

### CONSTRUCTION

- Injection-molded reflector ensures easy installation, maintenance, and even illumination.
- Heavy-duty, three-piece die-cast aluminum housing with a removable front stencil and light seal.
- Sleek 2.5" profile with softened corners and chamfered edges.
- Optional polycarbonate face shield, tamper-proof screws, swivel pendant, and specialty mounts.

### LETTERS

- 6.0" high; 0.75" stroke

### ARROWS

- NFPA type, universal field selectable chevrons.

### VIEWING DISTANCE

- 100 foot visibility rating

### CANOPY

- Low-profile universal canopy with 0.75" cast nipple and locking nuts.

### APPROVALS

- UL 924 Listed to 100ft Visibility Distance
- CSA C22.2 No. 141-10
- CEC Title 20 Compliant
- NFPA 101 Life Safety Code
- NFPA 70-NEC
- OSHA
- BAA Compliant

### WARRANTY

- Isolite offers a lifetime warranty. For further details, refer to General Warranty and Obligations in the Isolite manual or on our website.

## DIMENSIONS

