

DATE:

PROJECT

COMMENTS:



## FEATURES

- Illumination 4 times brighter than UL 924 requirement with super-bright, long-life LEDs that have a 25+ year life expectancy
- 4 hour standard emergency run-time
- Premium long-life, high-temperature fused nickel cadmium battery with above standard UL listed 4 hour run-time
- Standard self-diagnostic battery system detects cell failure and issues reduced capacity alert
- Line latch prevents unnecessary discharge of battery during installation — loads will not illuminate until after application of utility power
- Special wording and/or custom graphics available with white LEDs upon request
- Brownout detection ensures emergency operation during periods of low line voltage
- Self-Test/Self-Diagnostic monitoring available
- Zero current, low-voltage disconnect
- Unique, electronic driver circuit provides current control and protection, ensuring optimum LED efficiency and life
- Fine grain brushed aluminum stencil trim standard
- Specialty finish upon request
- 120/277 VAC field selectable inputs (with the exception of the C1/C2 (Dual Circuit) option which requires voltage specification upon ordering)



## ORDERING INFORMATION *LPDC-AC-G-1-BA-BA-MB*

1. SERIES	2. OPERATION	3. ILLUMINATION	4. FACE COUNT	5. FACE COLOR	6. FRAME COLOR
LPDC	-	-	-	-	-
	AC AC Only EM Ni-Cad Battery Backup	G Green R Red	1 Single 2 Double	BA Brushed Aluminum <sup>1</sup> BK Black <sup>2</sup> CC Custom Color WH White <sup>3</sup>	BA Brushed Aluminum BK Black CC Custom Color WH White

## 7. MOUNTING

<b>MB</b>	Back Mount
<b>MTEB</b>	Top/End/Back Mount
<b>MPA</b>	12" Pendant Mount
<b>MPB</b>	24" Pendant Mount
<b>MPC</b>	36" Pendant Mount
<b>MPD</b>	48" Pendant Mount
<b>MRW</b>	Recessed Wall
<b>MRWLB</b>	Recessed Wall, Preship Backbox

## 8. OPTIONS

### BLANK = NO OPTION

<b>C1</b>	Dual Circuit - 120 VAC (AC Only)
<b>C2</b>	Dual Circuit - 277 VAC (AC Only)
<b>SD</b>	Self-Diagnostics (EM Only)
<b>SR</b>	Self-Diagnostics + IR Remote Testing Receiver (EM Only)
<b>FL</b>	Flasher
<b>FLA</b>	Flasher/Audible Alarm

<b>FA</b>	Fire Alarm Interface
<b>FAA</b>	FA Option w/ Audible Alarm
<b>LD</b>	Damp Location
<b>TP</b>	Tamper proof Screws
<b>VM</b>	Voltmeter
<b>VR</b>	1/8" Vandal Resistant Lens (Includes TP)

## ORDERING NOTES

1. Brushed Aluminum Faces Available with Brushed Aluminum, Black and White Frame/Housing
2. Black Face Available With Black Housing
3. White Face Available with Black Housing

## ACCESSORIES; ORDER SEPARATELY

- WG 2 = Wire guard 14.0" X 10.0" X 4.5"
- WG 3 = Wire guard 14.5" X 6.0" X 10.5"
- WG 10 = Wire guard 13.5" X 12.0" X 16.5"
- LPDC-ACCY-RBB = Recessed Backbox for LPDC
- TLRT = Infrared Remote Control

**INPUT POWER**

- AC models: Red 1.5W; Green 2.3W
- EM models: Red 2.5W; Green 3.0W
- EM w/Remote: Red 3.0W; Green 4.0

**CANOPY SIZE**

- 4.75" x 4.75" x 0.75"

**CONSTRUCTION**

- Injection molded internal cavity reflector provides ease of installation and maintenance together with perfectly even legend illumination
- Heavy-duty, two piece, die-cast aluminum alloy walls
- Removable, front stencil face with overlapping light seal

- Hidden knock-out access points and universal pattern
- Optional recess frame, polycarbonate face shield with tamper proof access screws, and pendant & specialty mounts

**LETTERS**

- 6.0" high; 0.75" stroke

**ARROWS**

- NFPA type, universal field selectable chevrons

**WEIGHT**

- AC: 4.5 lbs.
- EM: 5.25 lbs.

**TEMPERATURE RATING**

- From 32°F to 102°F

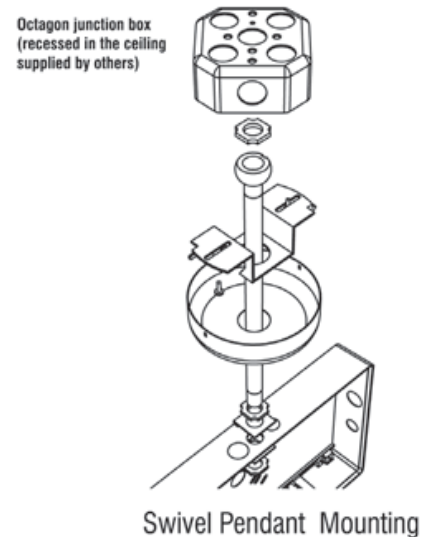
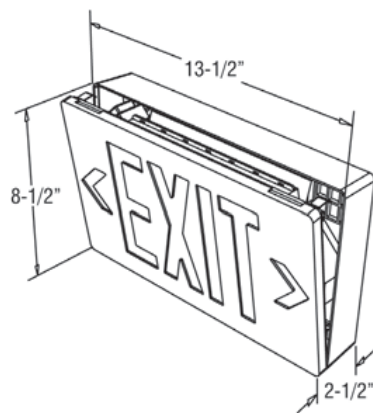
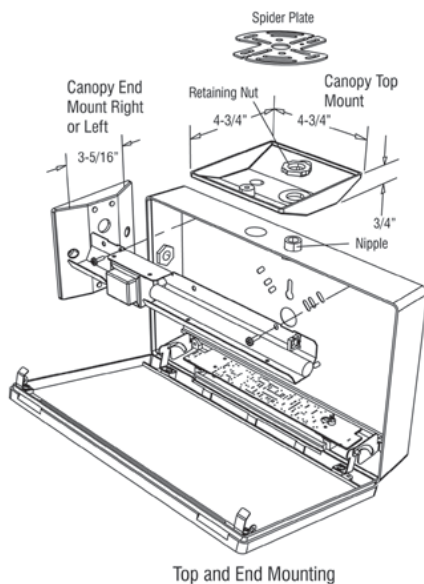
**APPROVALS**

- UL 924
- CEC Title 20 Compliant
- NFPA 101 Life Safety Code
- NFPA 70 - NEC
- OSHA

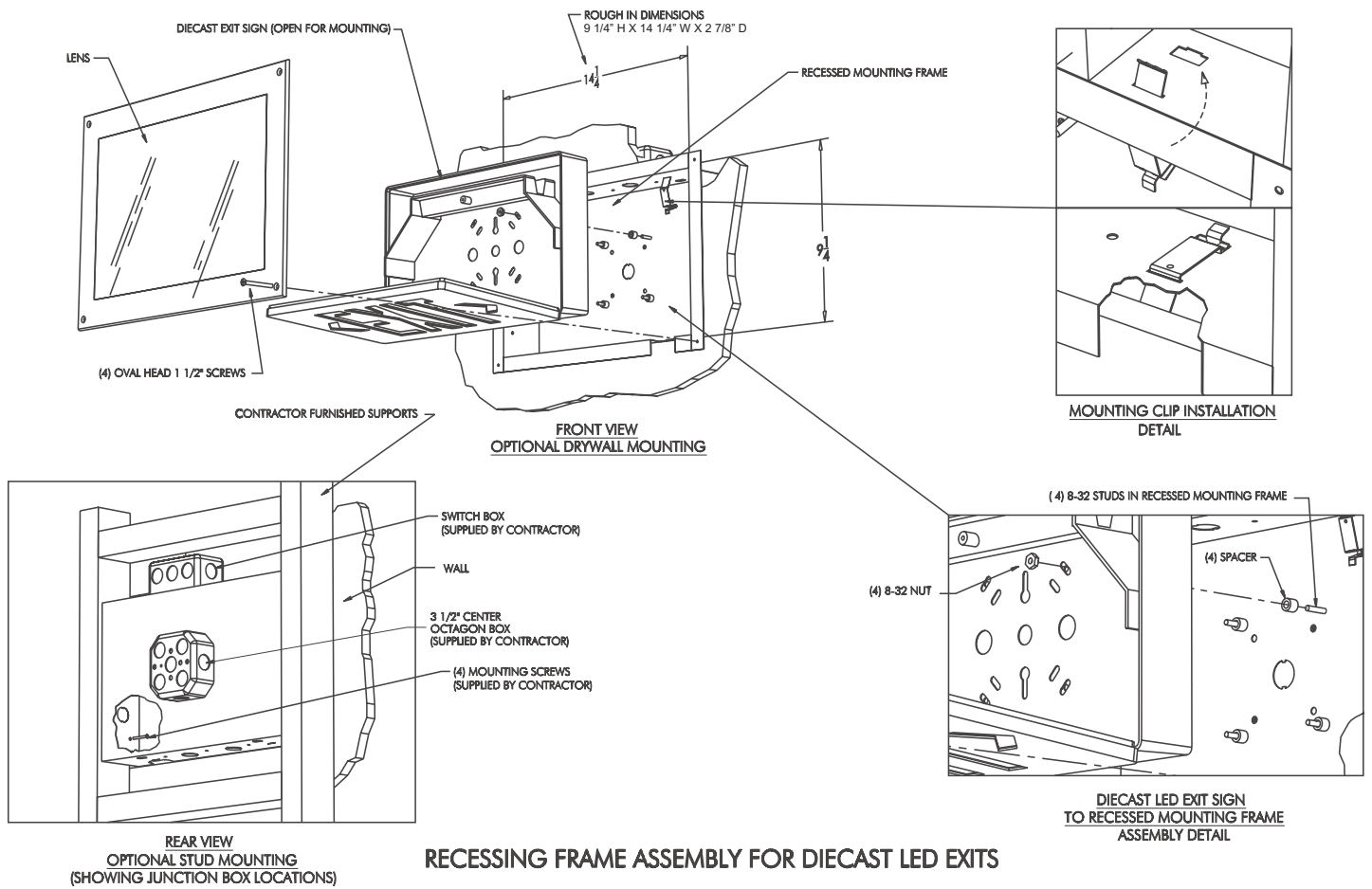
**WARRANTY**

Isolite offers a 5-year limited warranty. For further details, refer to General Warranty and Obligations in the Isolite manual or on our website.

**DIMENSIONS**



**INSTRUCTIONS FOR FULLY RECESSED MOUNTING**



Z410016 REV A