

## LMIGN

LED Compact Fully Recessed Emergency Light

DATE:

PROJECT

COMMENTS:

### FEATURES

- Fully self-contained emergency light able to be recessed into walls or ceilings
- Compact, universal (wall or ceiling) back box provided with fully adjustable Mounting hardware to suit virtually any application
- Universal back box can be pre-shipped for pre-installation at job-site
- Compact rotating 4.0" door
- 3W LEDs
- UL listed 90 minute run-time
- Can be painted or wall-papered to seamlessly blend with architecture
- Soft close doors
- Optional infrared, hand-held remote control testing
- Modular assembly and quick connector wiring for easy installation
- Uni-directional deflecting drive band motor (patent pending)
- Solid-state microprocessor controlled circuitry
- Line latch prevents unnecessary discharge of battery during installation
- Brownout sensing ensures emergency operation during periods of low line voltage
- Battery LVCO
- Fully automatic operation
- Self diagnostics come standard on all units
- Soft start lamp circuit
- 120/277 VAC field selectable inputs



### ORDERING INFORMATION *LMIGN-LC-CU-MRLB*

1. SERIES	2. BATTERY TYPE	3. OPERATION	4. FRAME STYLE	5. MOUNTING
LMIGN	-	-	CU	-
	BLANK = NO OPTION LC Lead Calcium Battery NC Ni-Cad Battery Backup	AC AC Only EM Battery Backup	CU Circular Trim	MRLB Recessed Mount, Less Back box MR Recessed Mount

### 6. OPTIONS

#### BLANK = NO OPTION

- CC Custom Color
- CP Chicago Plenum Listed
- LD Damp Location
- TD Time Delay - 120/277 VAC (15 min)

### ACCESSORIES; ORDER SEPARATELY

- LMIGN-ACCY-RBB = Recessed Back box for LMIGN
- LMIGN-ACCY-RBB-CP = Recessed Back Box for LMIGN (Chicago Listed)
- TLRT = Infrared Remote Control

**CONSTRUCTION**

- Textured, white powder coated, die-cast zinc frame and door
- Spring latch lamp holders
- No external Mounting hardware

**OVERALL SIZE**

- Front Panel: 7.0" x 7.0"
- Rotating Door: 4.0" x 4.0"

**BACK BOX SIZE**

- 5.25" x 14.375"

**ROUGH-IN SIZE**

- 5.375" X 5.375"

**WEIGHT**

- 12 lbs.

**APPROVALS**

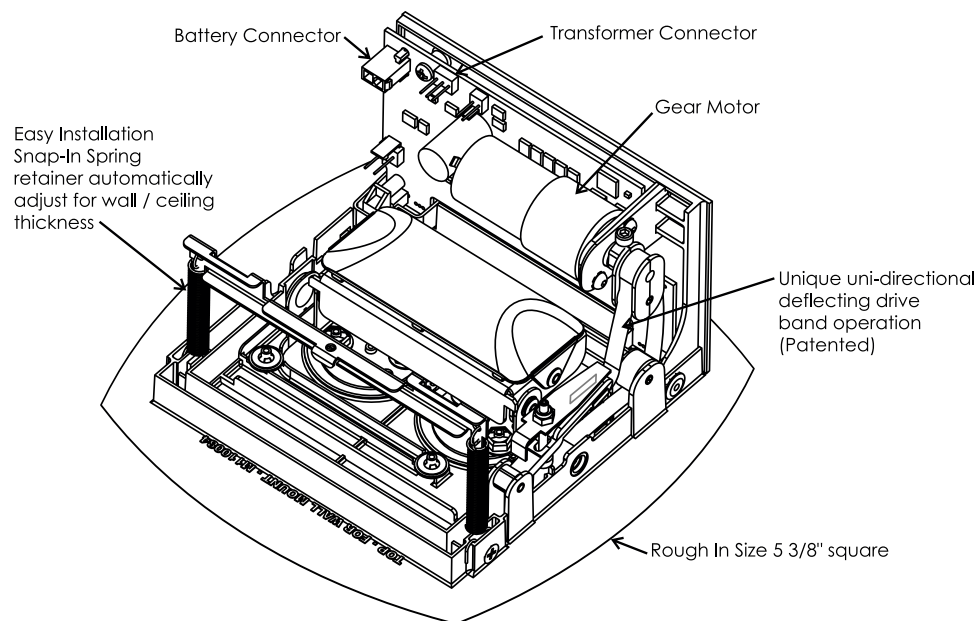
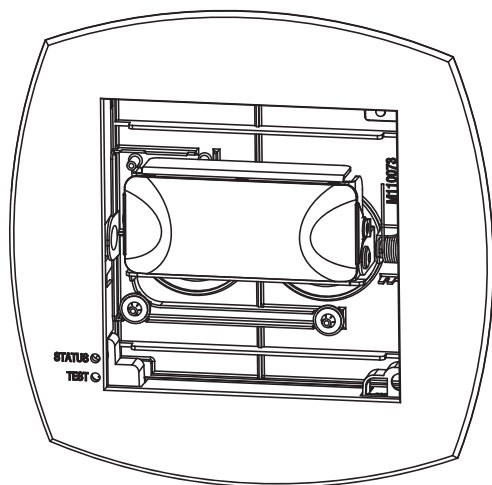
- UL924
- NY City approved calendar #48850
- NFPA 101 Life Safety Code
- NFPA 70-NEC
- OSHA

**TEMPERATURE RATING**

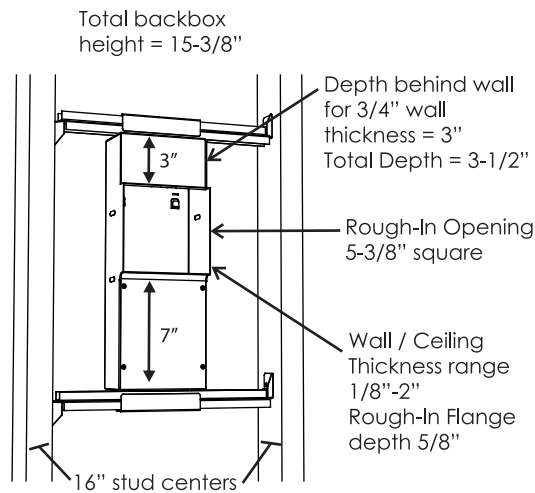
- LC: From 45°F to 85°F
- NC: From 32°F to 102°F

**WARRANTY**

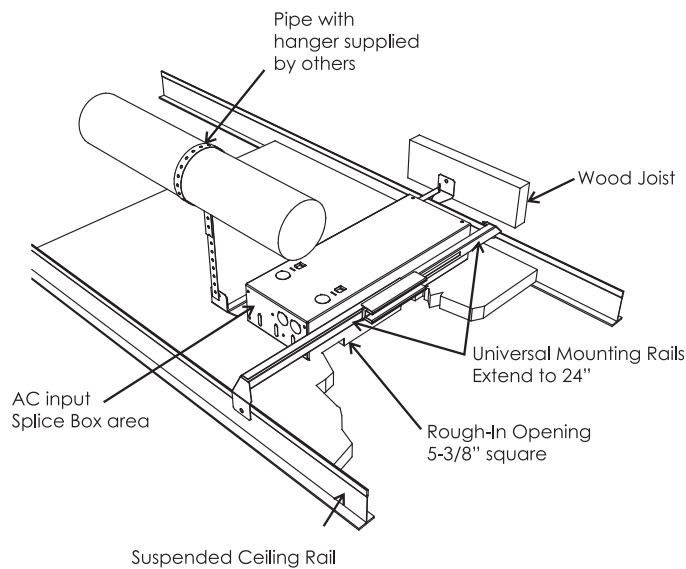
Isolite offers a 3-year limited warranty. For further details, refer to General Warranty and Obligations in the Isolite manual or on our website. Lamps not warranted.

**DIMENSIONS**

**Lamphead - Rear View**

**MOUNTING**



**Wall Mounting**



**Ceiling Mounting**