

DATE:

COMMENTS:

PROJECT



FEATURES

- NEMA 4X rating
- Fully gasketed for protection in wet and dusty environments
- Up to 2328 lumens per head
- Ideal for high ceilings and long tunnels
- Stainless steel swivel for precise illumination
- Designed to fit most standard junction boxes
- Surface, ceiling, or wall mount



ORDERING INFORMATION *HNS-BK-1-H1212*

1. SERIES	2. HOUSING COLOR	3. HEAD COUNT	4. LAMP SOURCE
HNS	BK	-	-
	BK Black	1 One Head 2 Two Heads	L12 LED 12V L24 LED 24V

ACCESSORIES; ORDER SEPARATELY

- WG 9 = Wire guard 12.0" X 9.0" X 9.0"

CONSTRUCTION

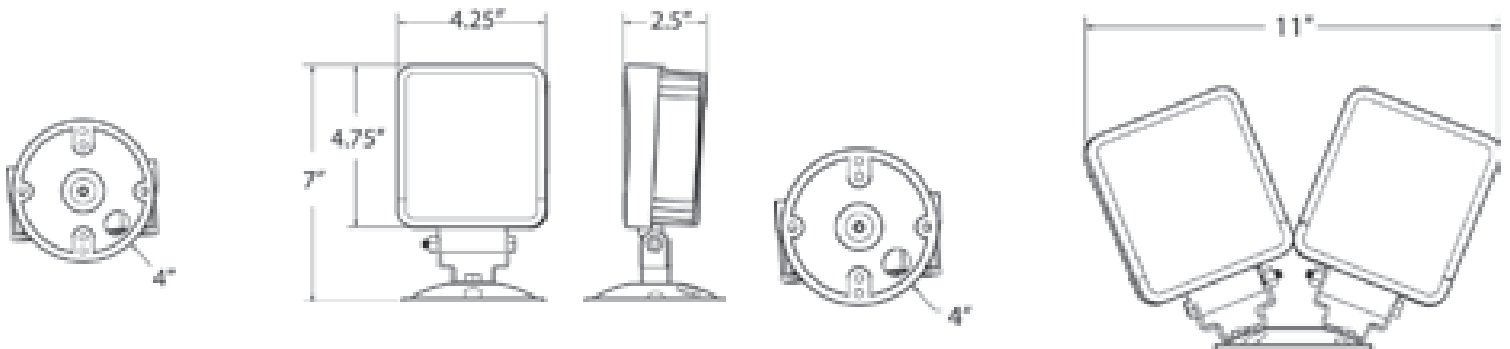
- Die-Cast aluminum head
- Resilient gasketing enables unit to withstand exposure to moisture and corrosive elements
- Glass lens will not yellow over time

APPROVALS

- NEMA 4X
- IP66
- UL924
- NFPA 101 Life Safety Code
- NFPA 70-NEC
- OSHA

WARRANTY

Isolite offers a 3-year limited warranty. For further details, refer to General Warranty and Obligations in the Isolite manual or on our website. Lamps not warranted.

DIMENSIONS

LAMP CHARTS

L - LED	
12V	24V
L12	L24