

DATE:

PROJECT

COMMENTS:



FEATURES

- NEMA 4X housing is fully gasketed for wet location applications.
- Mounting options include back, ceiling, end, or pendant mounting.
- Uses high output LEDs
- Maintenance-free, sealed nickel cadmium batteries provide a minimum 90 minute run-time - optional 2 hour run-time available.
- Solid-state transfer and charger eliminates relay failure caused by particle build-up.
- Line-latch prevents unnecessary discharge of battery during installation. Loads will not illuminate until after application of utility power.
- Brownout detection ensures emergency operation during periods of low line voltage.
- Sealed external momentary test switch and dual diagnostic LED indicator displays AC presence and Hi-Charge status.
- Optional Internal Heater (IH) is available. Voltage must be indicated.
- 120/277 VAC with field selectable inputs (with the exception of the H1/ H2 (Internal Heater), and C1/C2 (Dual Circuit) option which require voltage specification upon ordering).

ORDERING INFORMATION *HLX-AC-G-1-MB*

1. SERIES	2. OPERATION	3. ILLUMINATION	4. FACE COUNT
HLX	-	-	-
	AC AC Only EM Ni-Cad Battery Backup	G Green R Red	1 Single Face 2 Double Face
5. MOUNTING	6. OPTIONS		
MB Back Mount ME End Mount/Side Mount MPAB 12" Swivel Pendant Kit (Black) MPABA 12" Swivel Pendant Kit (Brushed Aluminum) MPAW 12" Swivel Pendant Kit (White) MT Top Mount	BLANK = NO OPTION C1 Dual Circuit - 120 VAC ² C2 Dual Circuit - 277 VAC ²	SD Self-Diagnostics ¹ EB Extended Run time ¹ H1 Internal Heater - 120 VAC ¹	H2 Internal Heater - 277 VAC ¹ FL Flasher ³ CW Custom Wording

ORDERING NOTES

1. Only applicable for EM operation model.
2. AC Only. This dual circuit option should only be used for exits which are intended to be connected simultaneously to normal and emergency power circuits, but cannot support two hot inputs. Only one of the normal or emergency circuits can be powered at any given time. Energizing both normal and emergency circuits simultaneously will result in damage to the exit sign.
3. SD option must be selected.

ACCESSORIES; ORDER SEPARATELY

- **TLRT-IND** = Infrared Remote Control for Industrial Products
- **WG-20.0LX19.0WX9.0D** = Wireguard, Length: 20", Width: 19", Depth: 9"
- **WG-26.0LX19.0WX9.0D** = Wireguard, Length: 26", Width: 19", Depth: 9"

NOTE: Wireguards only available with Back Mount.



SPECIFICATIONS

CONSTRUCTION

- Housing is constructed from corrosion resistant fiberglass with industrial gray finish.
- NEMA 4X housing is fully gasketed with hot bonded silicone.

LETTERS

- 6.0" high; 0.75" stroke

ARROWS

- NFPA type, universal field selectable chevrons

TEMPERATURE RATING

- **Without Internal Heater:** From 50°F to 104°F
- **With Internal Heater:** From -4°F to 104°F

APPROVALS

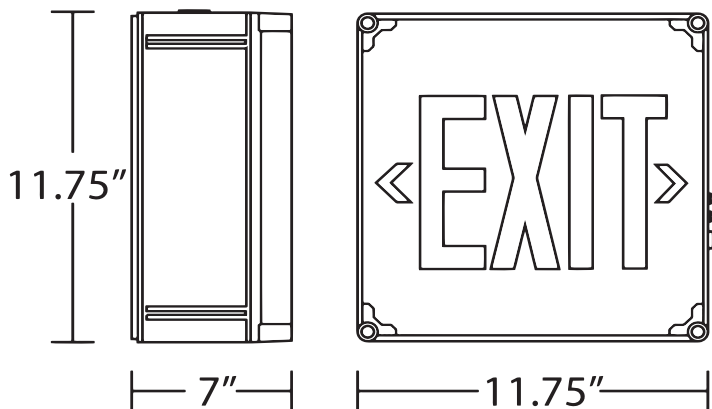
- CSA-US Listed
- NEMA 4X
- CEC Title 20 Compliant
- ETL Sanitation Listed
- Meets or exceeds UL 924 standards
- NFPA 101 Life Safety Code
- NFPA 70-NEC
- OSHA
- BAA Compliant

WARRANTY

Isolite offers a 5-year limited warranty. For further details, refer to General Warranty and Obligations in the Isolite manual or on our website. Lamps not warranted.

DIMENSIONS

Single Face



Double Face

