



HE

Class 1 Div 2 LED Emergency Light

DATE:	COMMENTS:
PROJECT:	



FEATURES

- Rated for Class 1 Division 2 Groups A-D.
- IP66 rated for use in wet and damp applications.
- UL listed for use in wet locations.
- Two fully adjustable 3.3W LED lamp heads.
- 120/277 VAC with field selectable inputs.
- 6V/12V maintenance-free, rechargeable nickel cadmium battery.
- Standard 7.8W of remote capacity (6V/12V DC output).
- Charge rate/power "ON" LED indicator light and magnetic test switch for mandated code compliance testing.
- Fully automatic solid-state, two-rate charger initiates battery charging to recharge a discharged battery in 24 hours.
- Compatible with HR remote lamp head.



ORDERING INFORMATION *HE-6V15W-G*

1. SERIES	2. OPERATION	3. MOUNTING	4. OPTIONS
HE	-	-	-
	6V15W 6 Volts, 15 Watts 12V15W 12 Volts, 15 Watts	MTEB Top/End/Back Mount	SD Self-Diagnostics ¹ HX Heater/Cold Temperature TP Tamper Proof

SPECIFICATIONS

CONSTRUCTION

- Fiberglass reinforced polycarbonate housing.
- Corrosion and impact resistant, UV stabilized polycarbonate lens and molded gasket with stainless steel screws.

ILLUMINATION

- Two fully adjustable LED, ultra bright 3.3W high performance.

MOUNTING

- Die-cast mounting brackets for surface wall mount.
- Pre-installed conduit hub for conduit and pendant-mount installations.

TEMPERATURE RATING

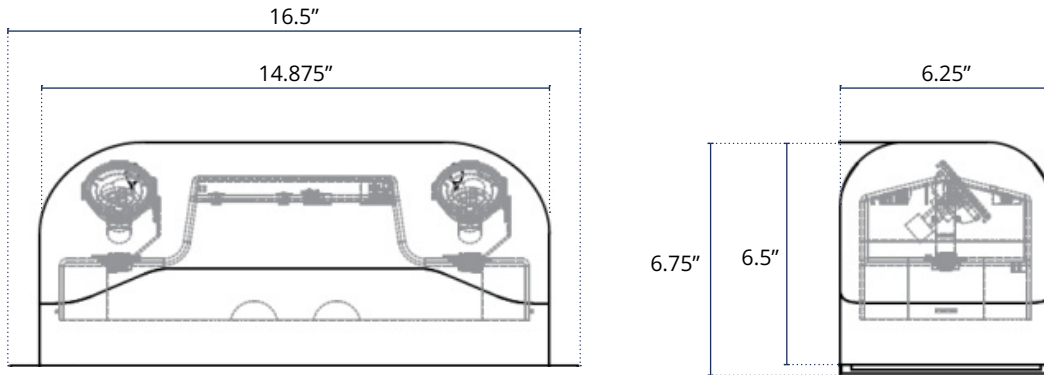
- From 32°F to 122°F (0°C to 50°C)
- **With HX:** -4°F to 122°F (-20°C to 50°C)

APPROVALS

- UL 924
- UL 924 Wet Location
- NFPA Life Safety Code 101
- CEC Title 20 Compliant
- Class I Div 2 Groups A-D
- NFPA 70-NEC
- OSHA
- IP66

WARRANTY

- Isolite offers a 3-year limited warranty. For further details, refer to General Warranty and Obligations in the Isolite manual or on our website. Lamps not warranted.

DIMENSIONS

ELECTRICAL INFORMATION

VOLTAGE	VAC	HZ	AMPS	WATTAGE
6V	120	60	0.12	13.6
	277	60	0.06	16.9
12V	120	60	0.11	12.5
	277	60	0.06	15.1