

DATE:

PROJECT

COMMENTS:


FEATURES

- Illumination 4X brighter than UL 924 requirement with super-bright, long-life LEDs that have a 25+ year life expectancy.
- Premium long-life, high-temperature fused nickel cadmium battery with standard UL listed 3-hour run time.
- Standard battery diagnostic system monitors battery status, detects cell failure, and issues an alert when there's reduced capacity, indicating the need to replace the battery.
- Line-latch prevents unnecessary discharge of battery during installation. Loads will not illuminate until after application of utility power.
- Brownout detection ensures emergency operation during periods of low line voltage.
- Sealed external momentary test switch and dual diagnostic LED indicator displays AC presence and Hi-Charge status.
- Self-Test/Self-Diagnostic monitoring available.
- Zero current low-voltage disconnect used to prevent battery from being overly discharged.
- Unique electronic driver circuit provides current control and protection, ensuring optimum LED efficiency and life.
- 120/277 VAC with field selectable inputs.


ORDERING INFORMATION EXP-AC-G-1W-MB-AB

1. SERIES	2. OPERATION TYPE	3. ILLUMINATION	4. FACE COUNT	5. MOUNTING
EXP	-	-	-	-
	AC AC Only EM Ni-Cad Battery Backup	G Green R Red	1W Single Face, White Background 2W Double Face, White Background	MB Back Mount (Surface Wall) ME End Mount / Side Mount MP Pendant Mount
6. CHEVRONS	7. OPTIONS			
AB Double Arrow AL Arrow Left AN No Arrows AR Arrow Right AS Right & Left Arrow (Double face only) AU Universal Chevron Kit	BLANK = NO OPTION SD Self-Diagnostics PV Inverted Panel (Legend) VF Other Input Voltage (Indicate Volt & Frequency) FL Flasher			

ACCESSORIES; ORDER SEPARATELY

- **WG-20.0LX19.0WX9.0D** = Wireguard, Length: 20", Width: 19", Depth: 9"
- **WG-26.0LX19.0WX9.0D** = Wireguard, Length: 26", Width: 19", Depth: 9"

NOTE: Wireguards only available with Back Mount.

SPECIFICATIONS
CONSTRUCTION

- Precision die-cast aluminum housing with a flawless, laser-formed acrylic legend.

INPUT POWER

- AC models:** Red 1.5W; Green 2.3W
- EM models:** Red 2.5W; Green 3.0W

LETTERS

- 6" high; 0.75" stroke

ARROWS

- NFPA-type, universal field installable, self-adhesive chevrons.

WEIGHT

- 15 lbs

TEMPERATURE RATING

- Green:** From 50°F to 104°F
- Red:** From 50°F to 131°F

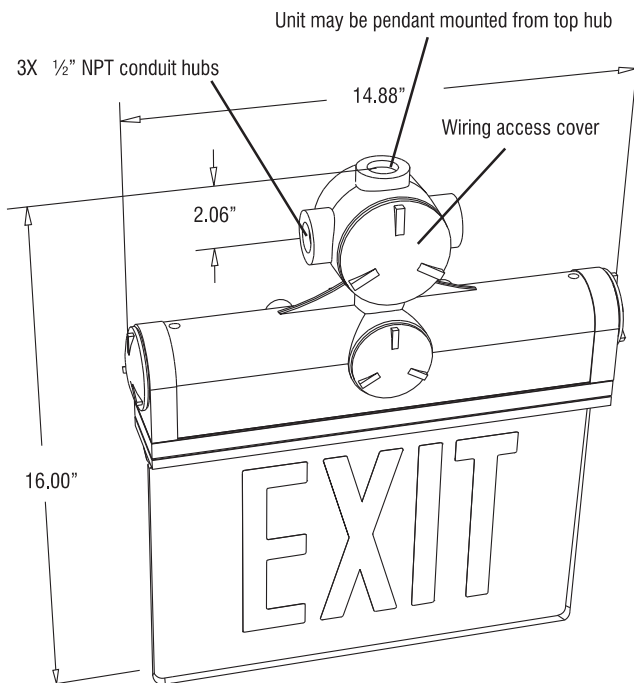
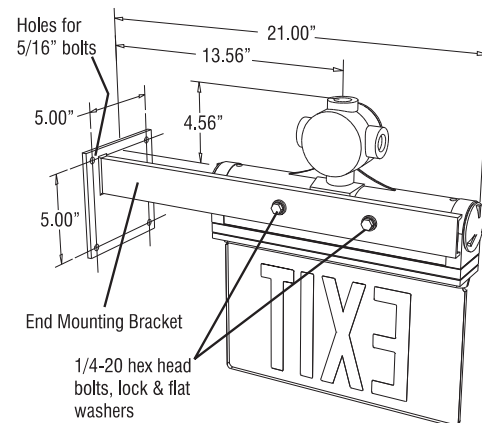
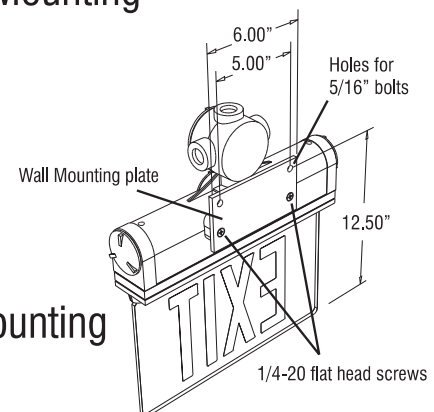
APPROVALS

- Class I, Div 1 Groups C & D
- Class I, Div 2 Groups A, B, C & D
- Class II, Div 1 Groups E, F & G
- Class III, Div 1
- Class I, Zone 1, Groups IIA, IIB
- Class I, Zone 2, Groups IIA, IIB + H2 & IIC
- Temperature Class (T-Rating) - T6
- UL 924
- NFPA 101 Life Safety Code
- NFPA 70-NEC
- OSHA
- IP65

- CEC Title 20 Compliant
- UL 1598A – Marine Outside Type
- UL 844
- BAA Compliant

WARRANTY

- Isolite offers a 5-year limited warranty. For further details, refer to General Warranty and Obligations in the Isolite manual or on our website.

DIMENSIONS

MOUNTING

End Mounting

Wall Mounting