

DATE:

PROJECT

COMMENTS:

FEATURES

- Two fully adjustable, top mounted Par 36 style lighting heads in high impact thermoplastic are supplied as standard. Additional lamp types and wattages available for lighting heads
- Capable of powering multiple remote heads
- Unique locking twist-collar securely holds the lens for quick and easy re-lamping
- Low voltage cut-off prevents battery damage and ensures positive charge acceptance following an extended discharge
- UL listed 90 minute run-time
- Self-Test / Self-Diagnostic monitoring available
- Maintenance free, sealed Lead Calcium battery or Nickel Cadmium battery
- Short circuit battery protection
- Brownout detection ensures emergency operation during periods of low line voltage
- Line-latch prevents unnecessary discharge of battery during installation. Loads will not illuminate until after application of utility power
- Key hole mounting slots and conduit knockouts are provided for additional mounting options
- 120/277 VAC field-selectable inputs



ORDERING INFORMATION *ELL-LC-6V12W-BK-MB-1-ARH-ME-L125*

1. SERIES	2. BATTERY TYPE	3. OPERATION	4. FRAME COLOR	5. MOUNTING	6. HEAD COUNT											
ELL	-	-	-	MB	-											
	LC Lead Calcium Battery Backup	<table border="0"> <tr> <td>6V12W 6 Volts, 12 Watts</td> <td>6V60W 6 Volts, 60 Watts</td> </tr> <tr> <td>6V18W 6 Volts, 18 Watts</td> <td>12V27W 12 Volts, 27 Watts</td> </tr> <tr> <td>6V27W 6 Volts, 27 Watts</td> <td>12V36W 12 Volts, 36 Watts</td> </tr> <tr> <td>6V36W 6 Volts, 36 Watts</td> <td>12V60W 12 Volts, 60 Watts</td> </tr> </table>	6V12W 6 Volts, 12 Watts	6V60W 6 Volts, 60 Watts	6V18W 6 Volts, 18 Watts	12V27W 12 Volts, 27 Watts	6V27W 6 Volts, 27 Watts	12V36W 12 Volts, 36 Watts	6V36W 6 Volts, 36 Watts	12V60W 12 Volts, 60 Watts	BK Black Frame WH White Frame	MB Back Mount	<table border="0"> <tr> <td>0 No Heads</td> </tr> <tr> <td>1 One Head</td> </tr> <tr> <td>2 Two Heads</td> </tr> </table>	0 No Heads	1 One Head	2 Two Heads
6V12W 6 Volts, 12 Watts	6V60W 6 Volts, 60 Watts															
6V18W 6 Volts, 18 Watts	12V27W 12 Volts, 27 Watts															
6V27W 6 Volts, 27 Watts	12V36W 12 Volts, 36 Watts															
6V36W 6 Volts, 36 Watts	12V60W 12 Volts, 60 Watts															
0 No Heads																
1 One Head																
2 Two Heads																
	NC Ni-Cad Battery Backup	<table border="0"> <tr> <td>6V22W 6 Volts, 22 Watts</td> <td>6V90W 6 Volts, 90 Watts</td> </tr> <tr> <td>6V42W 6 Volts, 42 Watts</td> <td>12V42W 12 Volts, 42 Watts</td> </tr> <tr> <td>6V54W 6 Volts, 54 Watts</td> <td>12V90W 12 Volt, 90 Watt</td> </tr> </table>	6V22W 6 Volts, 22 Watts	6V90W 6 Volts, 90 Watts	6V42W 6 Volts, 42 Watts	12V42W 12 Volts, 42 Watts	6V54W 6 Volts, 54 Watts	12V90W 12 Volt, 90 Watt								
6V22W 6 Volts, 22 Watts	6V90W 6 Volts, 90 Watts															
6V42W 6 Volts, 42 Watts	12V42W 12 Volts, 42 Watts															
6V54W 6 Volts, 54 Watts	12V90W 12 Volt, 90 Watt															
7. HEAD STYLE	8. HEAD LOCATION	9. LAMPS	10. OPTIONS													
ARH ARH Lamp Heads BRH BRH Lamp Heads LRH LRH Lamp Heads XRH XRH Lamp Heads	ME End Mount / Side Mount MF Front Mount MT Top Mount	See Lamp Chart for Part # Example: LED 12V5W = "L125"	BLANK = NO OPTION SD Self-Diagnostics SR Self-Diagnostics + IR Remote Testing Receiver AA Audible Alarm (Buzzer) AM Ammeter													
			CS CordSet FA Fire Alarm Interface TD Time Delay - 120/277 VAC VM Voltmeter TP Tamperproof Screws													

ACCESSORIES; ORDER SEPARATELY

- WG 1 = Wire guard 17.0" X 17.0" X 17.0"

CONSTRUCTION

- 20 gauge steel cabinet
- Durable white powder-coat finish

TEMPERATURE RATING

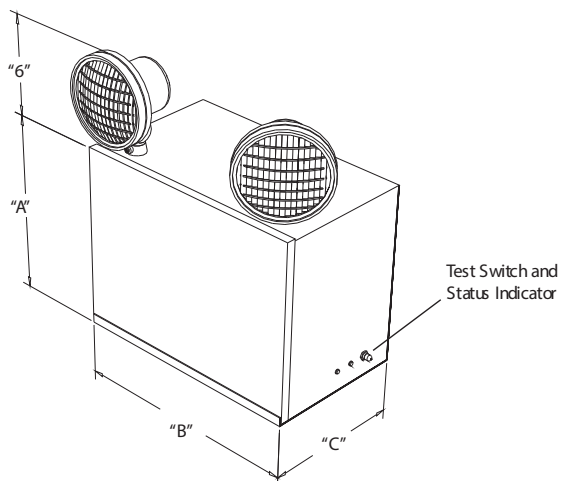
- From 50°F to 113°F

APPROVALS

- CSA-US listed
- Meets or exceeds UL924 standards
- NFPA 101 Life Safety Code
- NFPA 70-NEC
- OSHA

WARRANTY

- Isolite offers a 3-year limited warranty. For further details, refer to General Warranty and Obligations in the Isolite manual or on our website. Lamps not warranted

DIMENSIONS


DIMENSION CHART			
UNIT SIZE	A	B	C
12W-42W	6.125"	11.125"	3.5"
54W-60W	9.5"	15"	4.25"

LAMP CHARTS

B - BI-PIN HALOGEN		
	6V	12V
8W	B68	B128
10W		B1210
12W	B612	B1212
20W	B620	B1220
35W		B1235
55W		B1255

M - MR16		
	6V	12V
6W	M66	
10W	M610	M1210
12W		M1212
20W		M1220
35W		M1235
50W		M1250

L - LED		
	6V	12V
5W	L65	L125
7W	L67	L127