

DATE:	COMMENTS:
PROJECT:	

FEATURES



- Website monitoring – easily view, interact, and download records as needed on any PC or mobile device
- Programmable and password protected user interface
- 98% efficient for minimal BTU losses
- PWM Inverter provides pure sine wave output with less than 3% THD
- Crest factor >4 overload protection for demanding high in-rush loads
- Programmable transfer time – select between standard and fast transfer times for load and site compatibility
- UL listed 90 minute run-time
- Compatible with all lighting loads, including HID
- Variable time delay
- Battery recharges in less than 24 hours
- Two Phase output
- Start-Up Diagnostics checks for proper installation

SEISMIC CERTIFIED

- Optional Zone 4 Seismic Restraints are shaker table tested and seismic certified to the latest California Building Code (CBC) 2016
- The shake table testing was performed in accordance with International Code Council-Evaluation Service Acceptance Criteria 156 (ICC-ES AC156)
- OSHPD (California Office of Statewide Health Planning and Development)



ORDERING INFORMATION *E3MAC-2200-SP-IA-OA-C##-O##-S##*

1. SERIES	2. VA RATING	3. PHASE	4. INPUT VOLTAGE	5. OUTPUT VOLTAGE
E3MAC	-	SP	-	-
	2200 2200 VA Split Phase 4000 4000 VA Split Phase 5000 5000 VA Split Phase 6000 6000 VA Split Phase	8000 8000 VA Split Phase 10000 10000 VA Split Phase 12500 12500 VA Split Phase	SP Split Phase IC 208V (L-L) ID 240V (L-L) IE 480V (L-L)	OC 208V (L-L) OD 240V (L-L) OE 480V (L-L)

6. OUTPUT BREAKER - NORMALLY ON*	7. OUTPUT BREAKER - NORMALLY OFF*	8. OUTPUT BREAKER - SWITCHED*
C2 02 Normally On Breakers C4 04 Normally On Breakers C6 06 Normally On Breakers C8 08 Normally On Breakers C10 10 Normally On Breakers C12 12 Normally On Breakers	C14 14 Normally On Breakers C16 16 Normally On Breakers C18 18 Normally On Breakers C20 20 Normally On Breakers C22 22 Normally On Breakers C24 24 Normally On Breakers	O2 02 Normally Off Breakers O4 04 Normally Off Breakers O6 06 Normally Off Breakers O8 08 Normally Off Breakers O10 10 Normally Off Breakers O12 12 Normally Off Breakers
		S2 02 Switched Breakers S4 04 Switched Breakers S6 06 Switched Breakers S8 08 Switched Breakers S10 10 Switched Breakers S12 12 Switched Breakers

9. OPTIONS

BLANK = NO OPTION

MB Maintenance Bypass Switch	EBW20 Extended Battery Warranty	TA Trip Alarm with Breaker	Z4 Seismic Zone 4 Restraints (Includes KE)
CB Custom Breaker	EEW Extended Electronics Warranty	RA Remote Annunciator includes TB	WB Wall Mounting Bracket
DT Delayed Transfer	KE Keyed Enclosure	TB Programmable Terminal Block	BI BMS Integration

NOTE: MAXIMUM NUMBER OF OUTPUT BREAKERS SUPPORTED DEPENDS ON SIZING AND OPTION SELECTION. CONTACT FACTORY FOR SPECIFIC DETAILS.



OPTIONAL FEATURES

- Maintenance bypass switch
- Circuit breakers – supervised or unsupervised
- Maintenance contract/plan
- Remote Annunciator
- Factory startup – increases electronics warranty to 3 years
- Seismic Zone 4 – OSHPD approval, available July 2017
- Circuit breaker protected loads (Switched, Normally On, and Normally Off)
- Fault summary alarm and 2 programmable alarms – Form C dry contacts
- Keyed lockable enclosure

FRONT PANEL

- Modern 4x20 LCD character display with white LED back-light
- Heads-up diagnostic LEDs include 5 status (AC present, battery charging, inverter power, system ready, switched load energized), fault summary LED, and 5 specific faults (unit in bypass, circuit breaker trip, startup fault, charger fault, inverter fault)
- Dedicated System Test button – initiates 30-second test with UL compliant diagnostics
- 5-button keypad for menu navigation

- Sonic alarm with dedicated enable/disable pushbutton with heads-up LED
- Alarm silence has 24-hour ring-back for alarm reminder
- SD memory card – download and store all events, tests, and alarm logs (password protected)
- USB connector – access to all event, tests, and alarm logs (password protected)
- Ethernet – 10 BASE-T, TCP/IP web serving

BATTERY

- Front access VRLA batteries with 10-Year pro-rated warranty

TEMPERATURE RATING

- From 68°F to 86°F

APPROVALS

- UL924
- OSHPD Seismic Certified (with Z4 option)
- New York City approved, Calendar Number 51575
- NFPA101 Life Safety Code
- NFPA70-NEC
- OSHA
- NEMA Type 1 enclosure

WARRANTY

- Isolite warrants the E3MAC series electronics assembly against defects in material and workmanship for a period of 2 years, or 3 years with factory startup option. Extended Warranty options available
- Isolite warrants the E3MAC series lead calcium batteries for a 1-year full and 9-year pro-rated limited warranty
- For further details, refer to General Warranty and Obligations in the Isolite manual or on our website

NOTES

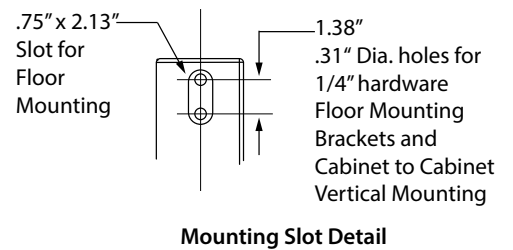
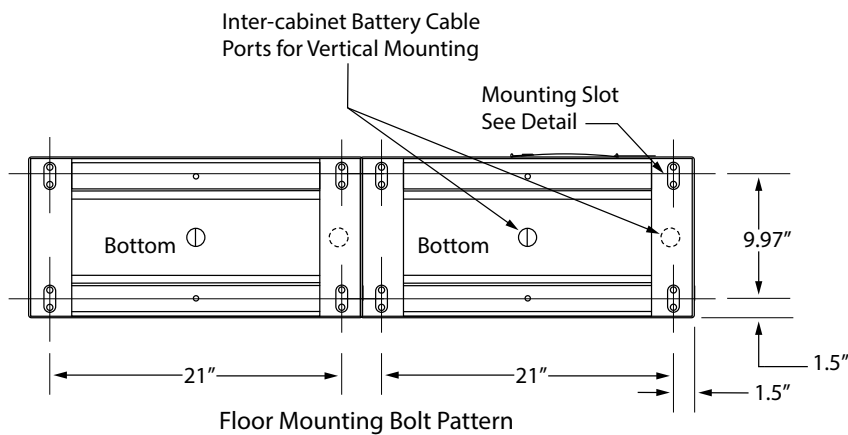
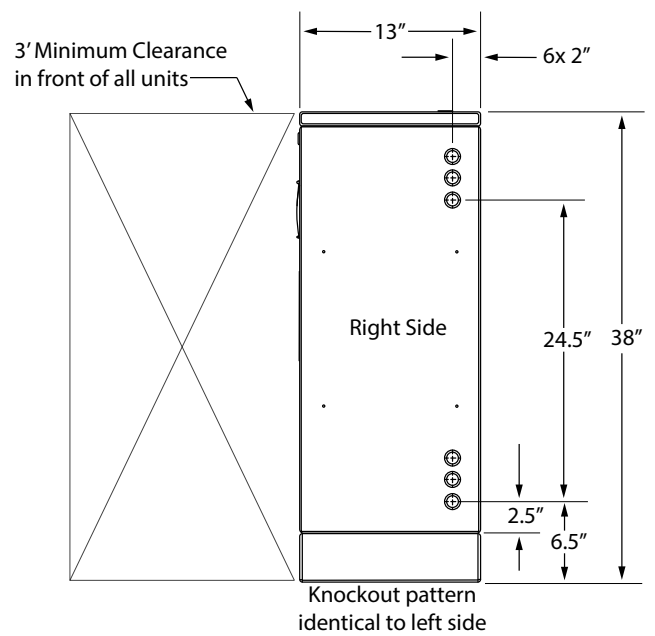
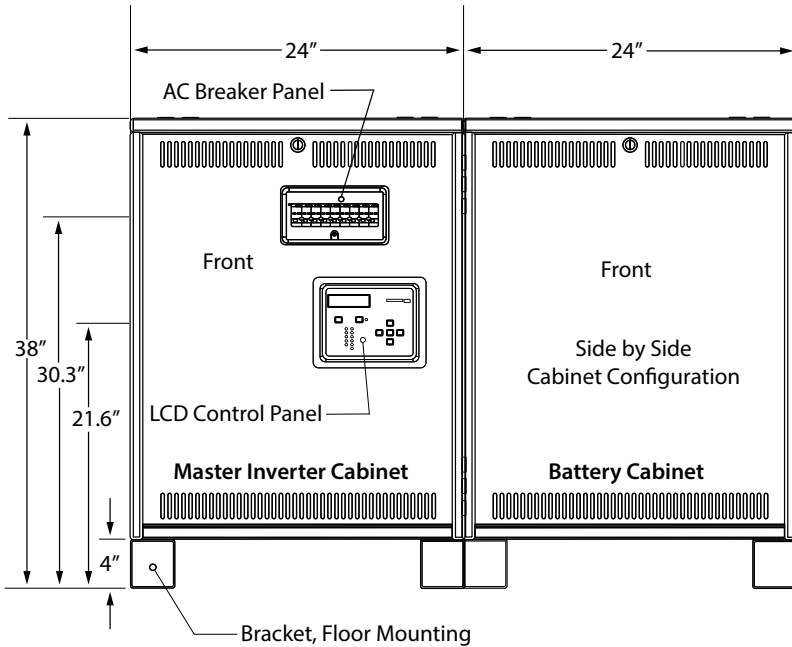
- Due to power factor calculations, we recommend only loading the E3MAC inverter to 90% of load wattage
- Max power for any phase (L-N, L-L) is 1/3 of total power capacity
- For Single Phase, Two Phase, or Three Phase, see E3MAC-1P, E3MAC-SP, or E3MAC-3P

WEIGHT & DIMENSIONS

VA Rate	Cabinets	Inverter Cabinet Weight	Battery Cabinet Weight	Battery Count	Battery Weight	Pallet Count	Total Weight
2200	2	207	108	8	312	1	662
4000	2	445	300	8	680	3	1530
5000	2	445	300	10	840	3	1690
6000	2	445	300	12	1000	3	1850
8000	2	495	300	16	1320	3	2115
10000	2	495	300	20	1640	3	2435
12500	2	495	300	24	1960	3	2750

DIAGRAMS

Battery Cabinet mounted to the right side of Master Inverter Cabinet for proper battery cable routing from cabinet to cabinet.



DIAGRAMS

