



# CRT

Chicago Approved Steel Recessed Emergency Light

DATE: \_\_\_\_\_ COMMENTS: \_\_\_\_\_  
 PROJECT \_\_\_\_\_

**Product Discontinued.**



## FEATURES

- City of Chicago Approved
- Architectural, recessed design
- Designed for installation into T-bar type ceilings
- Side and top conduit knockouts allow for easy installation
- 27-100 watt capacity available
- Two metal lamp heads with 12 watt PAR36 style lamps
- Maintenance-free sealed lead calcium battery
- UL Listed for Damp Location
- 120/277 VAC field-selectable inputs
- BAA Compliant

## ORDERING INFORMATION *CRT-12V50W-BK-BRH-B1212*

1. SERIES	2. OPERATIONS	3. FRAME COLOR	4. HEAD STYLE	5. LAMP SOURCE
CRT	- <span style="background-color: #cccccc; display: inline-block; width: 100px; height: 1em;"></span>	- <span style="background-color: #cccccc; display: inline-block; width: 100px; height: 1em;"></span>	- <span style="background-color: #cccccc; display: inline-block; width: 100px; height: 1em;"></span> BRH	- <span style="background-color: #cccccc; display: inline-block; width: 100px; height: 1em;"></span>
	6V27W 6 Volt 27 Watt 12V50W 12 Volt 50 Watt	BK Black WH White	BRH BRH Lamp Heads	B612 Bi-Pin Halogen 6V, 12W B1212 Bi-Pin Halogen 12V, 12W

## CONSTRUCTION

- Durable 20-gauge steel housing
- White or black powder coat finish

## TEMPERATURE RATING

- From 68°F to 122°F

## WEIGHT

- 27 Watt: 15 lb
- 50 Watt: 20 lb

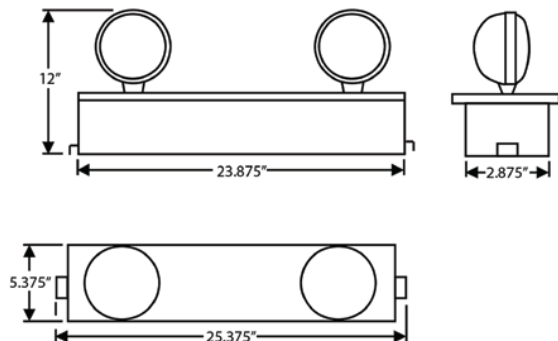
## APPROVALS

- City of Chicago Approved
- UL 924
- UL Listed for Damp Location
- NFPA Life Safety Code 101
- NFPA 70- NEC
- OSHA
- NAFTA
- BAA Compliant

## WARRANTY

- Isolite offers a 3-year limited warranty. For further details, refer to General Warranty and Obligations in the Isolite manual or on our website

## DIMENSIONS



## LAMP CHART

B - BI-PIN HALOGEN		
	6V	12V
12W	B612	B1212