

DATE:	COMMENTS:
PROJECT:	



FEATURES

- City of Chicago Approved
- Two fully adjustable, top mounted metal heads are supplied as standard
- Capable of powering multiple remote heads
- Unique locking twist-collar securely holds the lens for quick and easy re-lamping
- Low voltage cut-off prevents battery damage and ensures positive charge acceptance following an extended discharge
- UL listed 90 minute run-time
- Self-Test / Self-Diagnostic monitoring available
- Maintenance free, sealed Lead Calcium battery or Nickel Cadmium battery
- Short circuit battery protection
- Brownout detection ensures emergency operation during periods of low line voltage
- Line-latch prevents unnecessary discharge of battery during installation. Loads will not illuminate until after application of utility power
- Key hole mounting slots and conduit knockouts are provided for additional mounting options
- 120/277 VAC field-selectable inputs (with the exception of TD (time delay) option which requires voltage specification upon ordering)



ORDERING INFORMATION *CHL-12V100W-BK-MB-2-ARH-L65*

1. SERIES	2. OPERATIONS	3. FRAME COLOR	4. MOUNTING	5. HEAD COUNT	6. HEAD STYLE
CHL	-	-	MB	2	ARH
	6V10W 6 Volts, 10 Watts 6V20W 6 Volts, 20 Watts 6V27W 6 Volts, 27 Watts 6V50W 6 Volts, 50 Watts 6V100W 6 Volts, 100 Watts 12V50W 12 Volts, 50 Watts 12V100W 12 Volt, 100 Watt	BK Black WH White	MB Back Mount	2 Two Heads	ARH ARH Lamp Heads
7. LAMP SOURCE	8. OPTIONS				
L65	-				
L65 LED 6V, 5W	BLANK = NO OPTION TD Time Delay - 120/277 VAC (15 min) VM Voltmeter TP Tamper proof Screws				

ACCESSORIES; ORDER SEPARATELY

- WG 1 = Wire guard 17.0" X 17.0" X 17.0"

CONSTRUCTION

- 20 gauge steel cabinet
- Durable white powder-coat finish

TEMPERATURE RATING

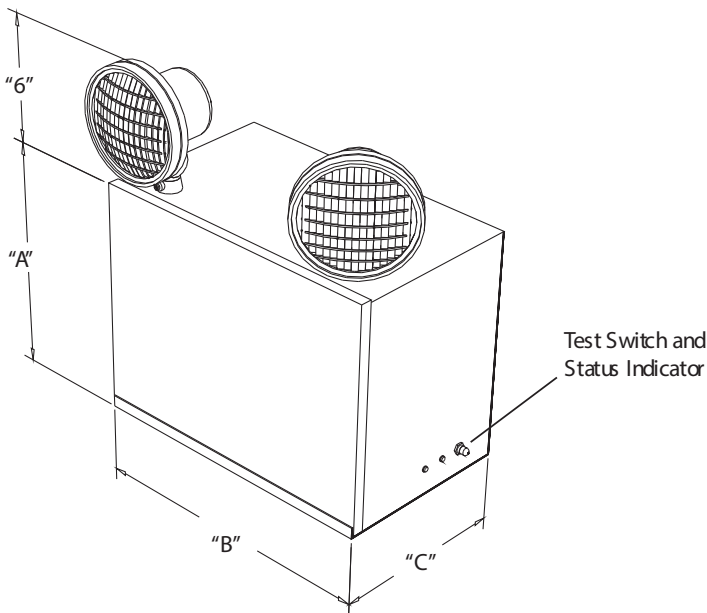
- From 50°F to 113°F

APPROVALS

- City of Chicago Approved
- CSA-US listed
- Meets or exceeds UL924 standards
- NFPA 101 Life Safety Code
- NFPA 70-NEC
- OSHA

WARRANTY

- Isolite offers a 3-year limited warranty. For further details, refer to General Warranty and Obligations in the Isolite manual or on our website. Lamps not warranted

DIMENSIONS


DIMENSION CHART			
UNIT SIZE	A	B	C
12W-42W	6.125"	11.125"	3.5"
54W-60W	9.5"	15"	4.25"

LAMP CHARTS

L - LED	
	6V
5W	L65