

## BRH

BRH PAR 36 Thermoplastic Remote Head

DATE:

COMMENTS:

PROJECT



### FEATURES

- Designed to fit most standard junction boxes
- Designed to surface mount on wall or ceiling
- Lamps can be fully adjusted to get proper light allocation
- White or Black finish options not standard



### ORDERING INFORMATION *BRH-BK-1-B128*

1. SERIES	2. HOUSING COLOR	3. HEAD COUNT	4. LAMP SOURCE	5. OPTIONS
BRH	-	-	-	-
	BK Black WH White	1 One Head 2 Two Heads	See Lamp Chart for Part # Example: Bi-Pin Halogen 12V 8W = "B128"	<b>BLANK = NO OPTION</b> LF Food-Prep Lens (Shatter-Resistant Coating) LW Wet Location (Weatherproof)

### ACCESSORIES; ORDER SEPARATELY

- WG 8 = Wire guard 8.0" X 6.0" X 8.0"
- WG 9 = Wire guard 12.0" X 9.0" X 9.0"


**CONSTRUCTION**

- High impact thermoplastic
- Glass lens will not yellow over time

**APPROVALS**

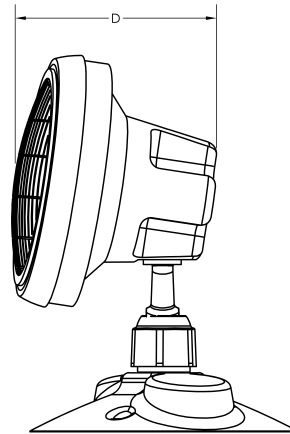
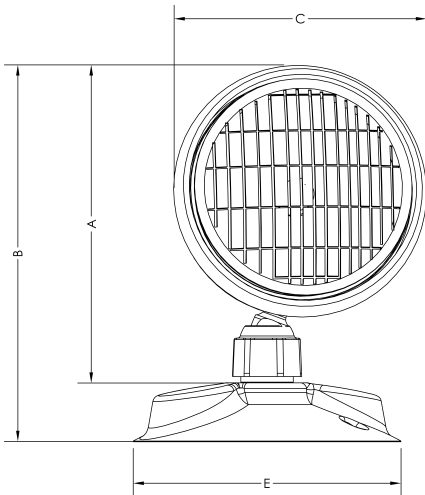
- UL924
- NFPA 101 Life Safety Code
- NFPA 70-NEC
- OSHA

**WARRANTY**

- Isolite offers a 5-year limited warranty. For further details, refer to General Warranty and Obligations in Isolite manual or on our website. Lamps not warranted

**DIMENSIONS**


---



DIMENSION CHART				
A	B	C	D	E
5 7/8"	7"	4 3/4"	3 5/8"	5"

**LAMP CHARTS**


---

B - BI-PIN HALOGEN			
	6V	12V	24V
6W	B66		
8W	B68	B128	
10W	B610		B2410
12W	B612	B1212	B2412
20W	B620	B1220	B2420
35W		B1235	
50W			B2450
55W		B1255	