

DATE:

PROJECT

COMMENTS:

ILLUMINATION

- Works with or without an AC ballast to convert new or existing fluorescent fixtures into unobtrusive emergency lighting
- Operates one lamp in the emergency mode for a minimum of 90-minutes
- Provides a maximum initial lumen output of 700 lumens

ELECTRICAL

- Dual 120/277 voltage
- Charge rate/power "ON" LED indicator light and push-to-test switch for mandated code compliance testing
- 6V long life, maintenance-free, rechargeable, sealed Ni-Cad battery
- Internal solid-state transfer switch automatically connects the internal battery to fluorescent lamp for minimum 90-minute emergency illumination
- Fully automatic solid-state, two rate charger initiates battery charging to recharge a discharged battery in 24 hours
- Time delay enhancement to overcome end-of-life circuit protection

LAMP COMPATIBILITY

- Compatible with one-lamp and some two-lamp electronic standard and dimming AC ballasts
- Operates one or two T5, T5HO, T8, T12, Circular T5/T9, Ubend T8/T12, 4-Pin CFL, or long CFL lamps in emergency mode. Refer to the chart on the next page for a complete lists of compatible lamps



ORDERING INFORMATION *BAL700LPTD*

1. SERIES

BAL700LPTD

SPECIFICATIONS

MOUNTING

- Suitable for installation inside, on top, or in remote* of the fixture.
- Can be used in both switched and unswitched fixtures.

HOUSING

- Low profile galvanized steel construction.
- Compact design fits most fluorescent fixtures.

TEMPERATURE RATING

- From 32°F to 122°F

WEIGHT

- 6.4 lbs

APPROVALS

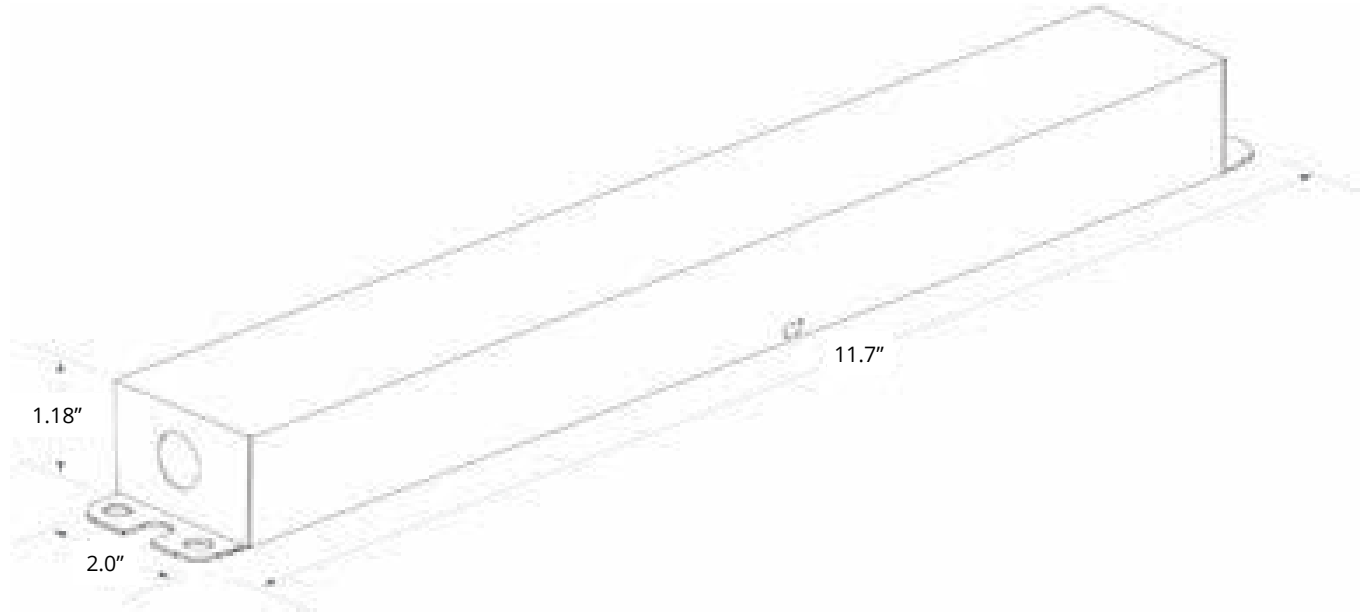
- UL 924
- UL Listed for Damp Location
- NFPA Life Safety Code 101
- NFPA 70-NEC
- OSHA

WARRANTY

- Isolite offers a 3-year limited warranty. For further details, refer to General Warranty and Obligations in the Isolite manual or on our website. Lamps not warranted.

NOTE

- When battery packs are remote mounted, the remote distance cannot exceed 1/2 of the distance from ballast to lamp specified by the A.C. ballast manufacturer. The maximum allowable remote mounting distance is 50 feet.


DIMENSIONS

LAMP CHARTS

LAMP	INITIAL LUMENS	
	1 LAMP	2 LAMP
T5 21W	575	650
T5 28W	675	
T5 35W	700	
T5HO 24W	650	
T5HO 39W	700	
T8 17W	575	625
T8 25W	625	65
T8 28W	630	
T8 32W	650	

LAMP	INITIAL LUMENS	
	1 LAMP	2 LAMP
T8 40W	700	
T12 30W	500	
T12 34W	575	
T12 40W	625	
CFL 2G11 36W	600	
CFL 2G11 40W	625	
CFL 2G11 50W	650	
Circular T9 20W	400	500
Circular T9 32W	450	550

LAMP	INITIAL LUMENS	
	1 LAMP	2 LAMP
Circular T9 40W	550	
Circular T5 40W	600	
Circular T5 55W	700	
CFL G24q-4 42W	675	
CFL G10q-4 38W	650	
U-bend T8 32W	575	650
U-bend T12 34W	550	600
U-bend T12 40W	600	