

## BAL650C-2

Fluorescent Emergency Ballast 650 Lumens

DATE:

PROJECT

COMMENTS:



### ILLUMINATION

- Works with or without an AC ballast to convert new or existing fluorescent fixtures into unobtrusive emergency lighting
- Operates one lamp in the emergency mode for a minimum of 90-minutes
- Provides a maximum initial lumen output of 650 lumens

### ELECTRICAL

- Dual 120/277 voltage
- Charge rate/power "ON" LED indicator light and push-to-test switch for mandated code compliance testing
- Long life, maintenance-free, rechargeable, sealed Ni-Cad battery
- Internal solid-state transfer switch automatically connects the internal battery to fluorescent lamp for minimum 90-minute emergency illumination
- Fully automatic solid-state, two rate charger initiates battery charging to recharge a discharged battery in 24 hours

### LAMP COMPATIBILITY

- Compatible with most one-, two-, three-, and four-lamp electronic standard and dimming AC ballasts
- Operates one 13W-26W, 2-pin compact fluorescent lamps with GX23 and G24D bases. Refer to the chart on the next page for a complete list of compatible lamps



### MOUNTING

- Suitable for installation inside, on top or in remote\* of the fixture
- Can be used in both switched and unswitched fixtures
- UL Listed for factory or field installation

### HOUSING

- Durable painted steel construction with white finish
- Provided with 2' flex conduits on both ends
- Compact design fits most fluorescent fixtures

### \*NOTE

- When battery packs are remote mounted, the remote distance cannot exceed ½ the distance from ballast to lamp specified by the AC ballast manufacturer. The maximum allowable remote mounting distance is 50 feet

## ORDERING INFORMATION *BAL650C-2*

### 1. SERIES

BAL650C-2



## TEMPERATURE RATING

- From 32°F to 122°F

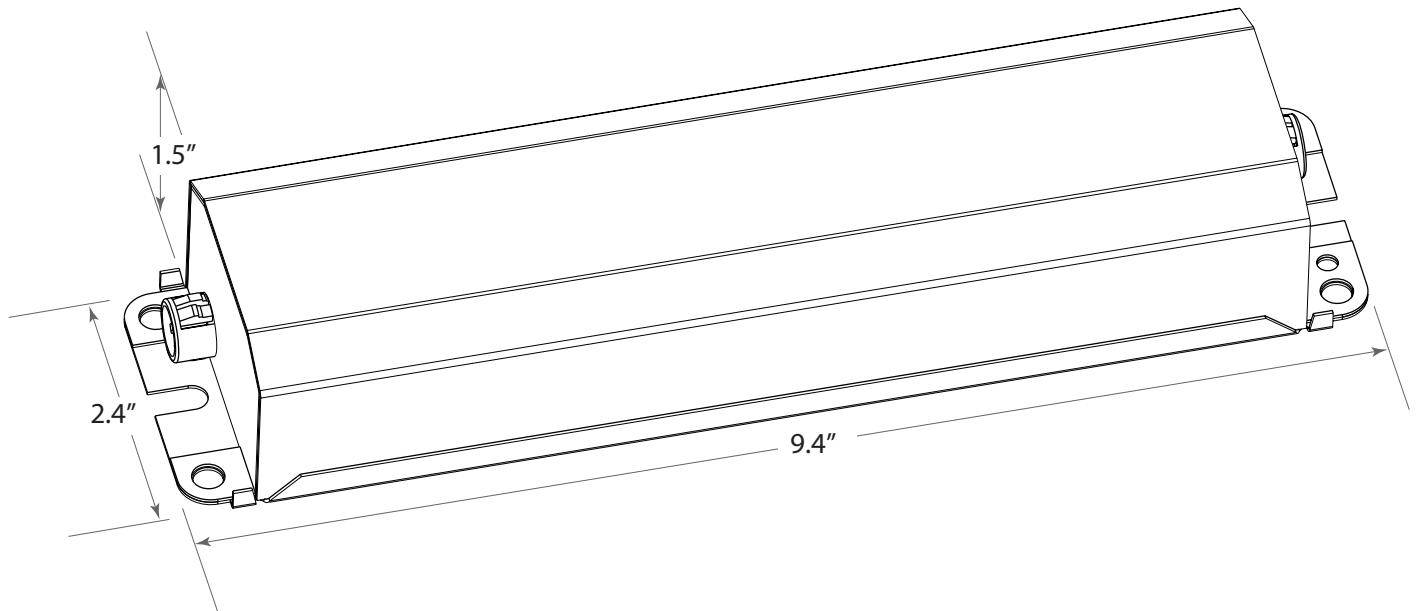
## APPROVALS

- UL 924
- UL Listed for Damp Location
- NFPA Life Safety Code 101
- NFPA 70-NEC
- OSHA

## WARRANTY

- Isolite offers a 3-year limited warranty. For further details, refer to General Warranty and Obligations in the Isolite manual or on our website. Lamps not warranted

## DIMENSIONS



## LAMP CHARTS

LAMP	INITIAL LUMENS	
	1 LAMP	2 LAMP
2-Pin PL CF 13W	380	
2-Pin PL CF 18W	550	
2-Pin PL CF 26W	650	