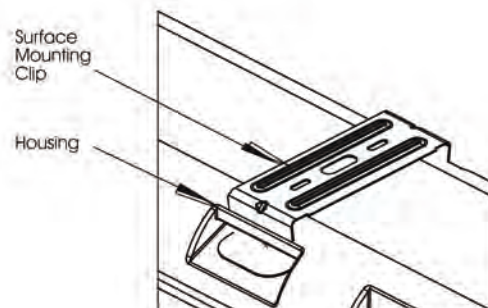




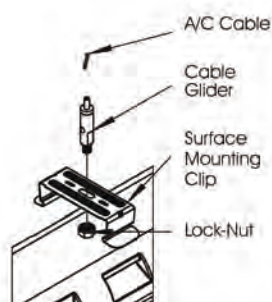
The VTF-LED Series



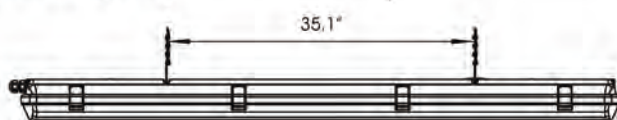
A/C CABLE (AC)



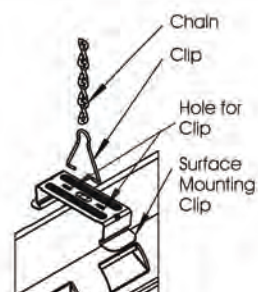
1. Attach cable glider to surface mounting clip using provided lock nut as shown.
2. Snap assembly onto mounting bracket on the housing.
3. Thread A/C Cable through the cable glider as shown.
4. Push top sleeve of cable glider to release lock and adjust level.



CHAIN (CH)



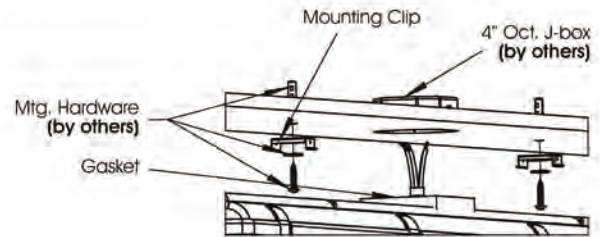
1. Insert the hook clip through the loop of the chain.
2. Attach hook clip onto the holes on the top of the mounting bracket above the housing as shown.



JUNCTION MOUNT (JM)



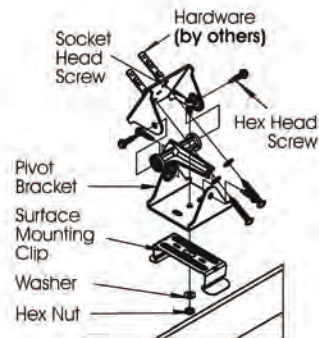
1. Attach the Mounting Clips to the ceiling as shown.
2. Do the wire connections to the J-Box.
3. Snap the fixture onto the Mounting Clips on the wall/ceiling.



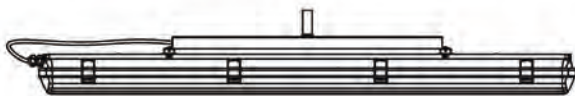
PIVOT (PM)



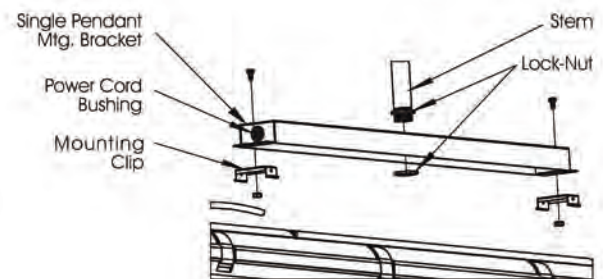
1. Attach the pivot bracket together as shown.
2. Attach the assembly to the surface mounting clip as shown.
3. Mount the assembly to the desired location on wall/ceiling.
4. Snap the fixture onto the pivot brackets on the wall/ceiling.



PENDANT (SINGLE) (SPK)



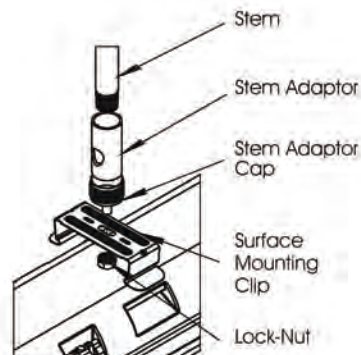
1. Attach Mounting Clips to Single Pendant Mounting Bracket.
2. Attach Single Pendant Mounting Bracket Assembly to Stem.
3. Snap fixture onto Mounting Clips on Single Pendant Mounting Bracket.



PENDANT (DOUBLE) (DPK)



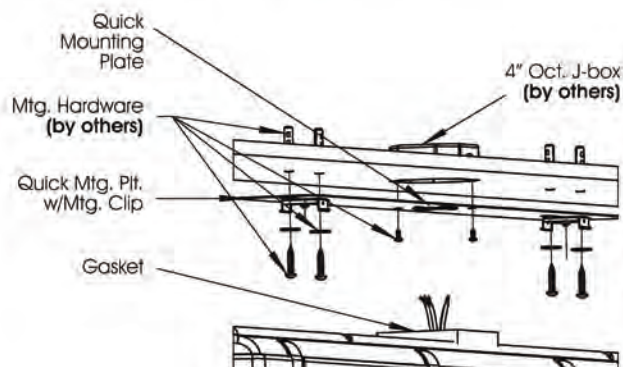
1. Attach the stem adaptor cap to the surface mounting clip using provided lock nut as shown.
2. Snap the assembly to the mounting bracket on the housing.
3. Attach stem adaptor & stem to the stem end cap.



QUICK MOUNTING PLATE (QMP)



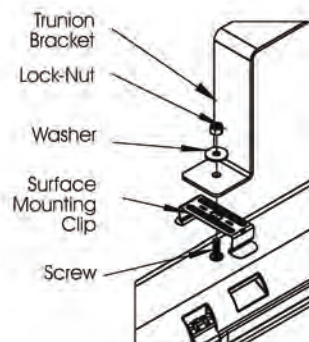
1. Attach the Quick Mounting Plate assembly to the J-box & ceiling as shown.
2. Do the wire connections to the J-Box.
3. Snap the fixture onto the Quick Mounting Plate assembly on the wall/ceiling.



TRUNION (TM)



1. Attach the Surface Mounting Clips to Trunion Bracket as shown.
2. Attach the Trunion Bracket assembly to the ceiling.
3. Snap the fixture onto the Surface Mounting Clips.



Aviation Cable Canopy Assembly w/ Feed



Aviation Cable Canopy Assembly w/ Non Feed



Pendant Canopy Assembly (fixed)



Pendant Canopy Assembly (Swivel)



Tab



Slot



NOTE: Twist the canopy for the tab to engage with slotted hole on canopy

MAINTENANCE

1. Code requires that the equipment be tested every 30 days for 30 seconds, and that written records be maintained. Further, the equipment is to be tested once a year for the required duration as per Code. The battery is to be replaced or the equipment repaired whenever the equipment fails to operate as intended during the duration test. Written records of test results and any repairs made must be maintained. Isolite Corp. strongly recommends compliance with all Code requirements.

2. Clean lenses on a regular basis.

NOTE: The servicing of any parts should be performed by qualified service personnel only. The use of replacement parts not furnished by Manufacturer, may cause equipment failure and will void the warranty.

TROUBLESHOOTING

EMERGENCY LAMPS DO NOT COME ON AT ALL

Pilot Light is out before test..

1. Check AC supply - be sure unit has 24 hour AC supply (unswitched).

2. AC supply is OK, and indicator light is out, replace PC Board Assembly.

Pilot Light is on before test...

3. Either the output is shorted or overloaded, or the battery is not connected.

4. Battery is severely discharged. Allow 24 hours for recharge and then retest. NOTE: This could be the result of a switched AC supply to the unit (which has been turned off at some point), a battery with a shorted cell, an old battery or a battery which has been discharged due to a long power outage and is not yet fully recharged.

EMERGENCY LAMPS COME ON DIM WHEN TEST BUTTON IS PRESSED

1 . Battery discharged - permit unit to charge for 24 hours and then retest. If lamps are still dim, check charger for proper function. If charger functions correctly, replace battery.

EMERGENCY LAMPS COME ON WHEN BATTERY IS FIRST CONNECTED

1 . Battery may be connected in reverse polarity. Check connections. Connect Positive lead to Positive battery terminal and Negative lead to Negative battery terminal. The lamps should then turn off and the charge indicator should light when AC power is applied.

EMERGENCY LAMPS COME ON DIM WHEN AC POWER IS ON -

1 . Check supply voltage and AC connections. This emergency light is provided with brownout protection. The AC supply must be at least 80% of nominal (96V on a 120V line) for equipment to function normally. At lower voltages the emergency lamps will begin to glow dimly until the source voltage drops below the full "turn-on" point. NOTE: This condition may also be caused by incorrectly connecting a 120 Volt supply line to the 277-Volt transformer lead.