



# UEL NYC

NEW YORK CITY APPROVED

UNIVERSAL RECESSED/SURFACE EDGE-LIT LED EXIT SIGN

---

## INSTALLATION AND OPERATING INSTRUCTION

### IMPORTANT SAFEGUARDS

Review the diagrams thoroughly before beginning. If you feel that you do not have enough electrical wiring experience, please contact a qualified licensed electrician for installation.

All electrical connections must be in accordance with local codes, ordinances, and the National Electric Code. If you are unfamiliar with methods from installing electrical wiring, secure the services from a qualified licensed electrician.

Before starting installation, disconnect power by turning off the circuit breaker or by removing the appropriate fuse at the fuse box. Using a light switch to turn the power off is not sufficient to prevent electrical shock.

### READ AND FOLLOW ALL SAFETY INSTRUCTIONS

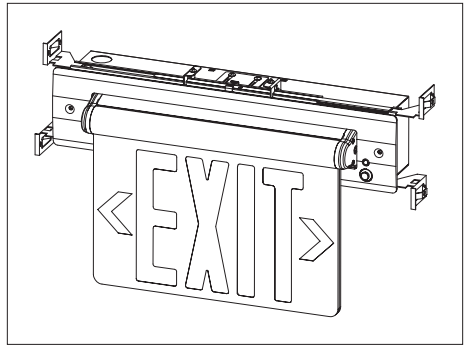
1. Do not use outdoors.
2. Do not let power supply cords touch hot surfaces.
3. Do not mount near gas or electric heaters.
4. Use caution when servicing batteries. Battery acid can cause burns to skin and eyes. If acid is spilled on skin or eyes, flush acid with fresh water and contact a physician immediately.
5. Equipment should be mounted in locations and at heights where it will not readily be subject to tampering by unauthorized personnel.
6. The user of accessory equipment not recommended by the manufacturer may cause an unsafe condition.
7. Do not use this equipment for other than intended use.
8. All servicing should be performed by qualified personnel only. Install using recommended junction box only.
9. Allow battery to charge for 24 hours before first use.

### SAVE THESE INSTRUCTIONS

31 Waterloo Ave • Berwyn, Pa • 19312 U.S.A  
Telephone: (610) 647-8200 • Email: [support@isolite.com](mailto:support@isolite.com)

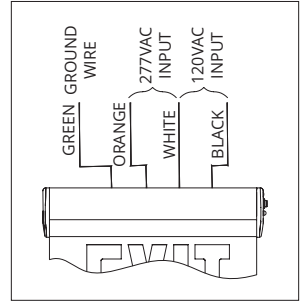
# PACKAGE CONTENTS

DESCRIPTION	QTY
1 LED EDGE-LIT EXIT SIGN	1
2 ADJUST BRACKET AND BAR HANGER	2
3 HARDWARE BAG	1
4 EXIT PANEL FOR DOUBLE FACE	1
5 CANOPY AND CROSSBAR	1



# ELECTRICAL CONNECTIONS

1. Make the proper supply wire connections.
2. If using 120VAC, connect the black and white wires to the building utility.
3. If using 277VAC, connect the orange and white wires to the building utility.
4. Cap off unused wires. In all cases, use standard wire nuts to connect to wires.

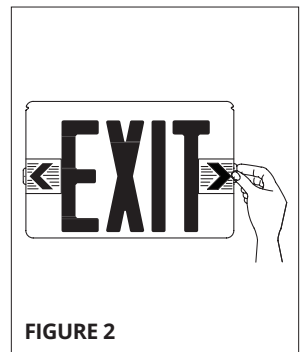
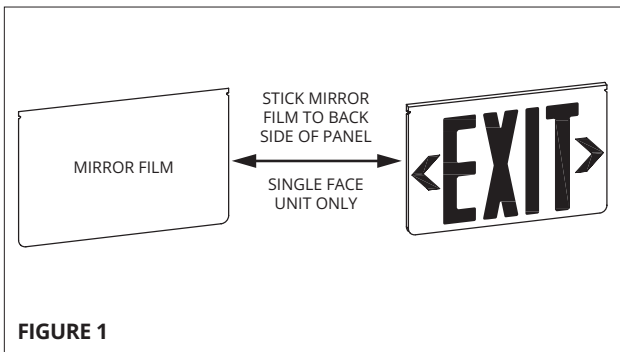


# CONVERSION FROM DOUBLE FACE TO SINGLE FACE MIRROR:

Remove protective liner from adhesive strips supplied on the Mirror film. Center the mirrored film over the desired unused face and press firmly to adhere. Remove protective "blue" film from the mirror and faces (Figure 1).

## DETERMINE CHEVRON PLACEMENT (FIGURE 2):

1. If a chevron is needed, leave the chevron on and remove only the film instruction.
2. If no chevron is needed, remove the chevron and film instructions together.

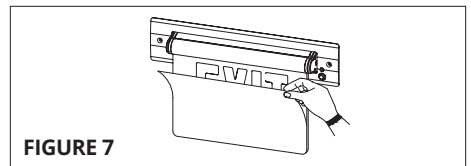
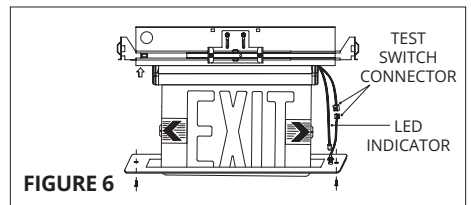
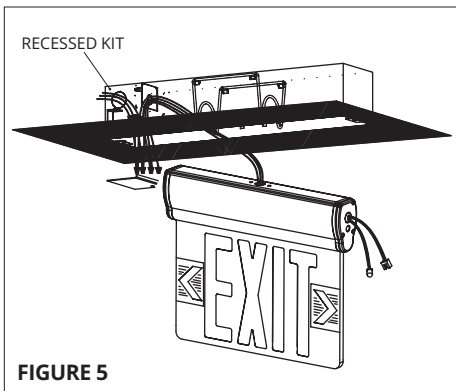
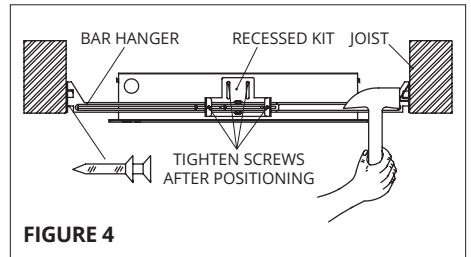
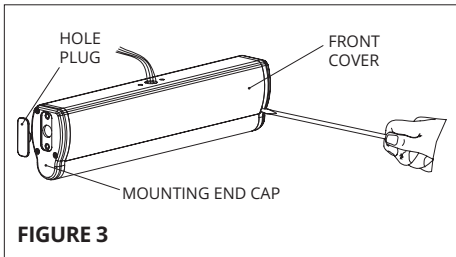


# RECESSED CEILING MOUNT



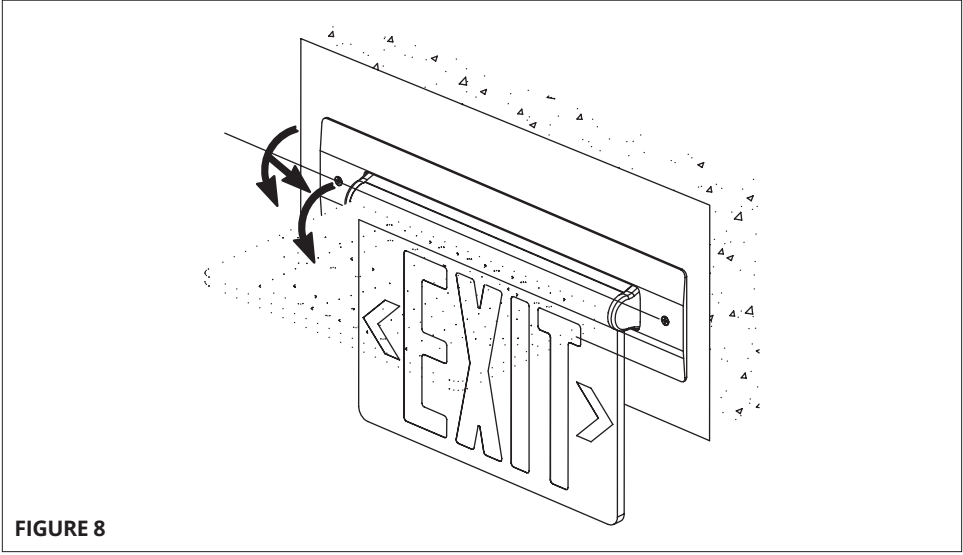
**CAUTION: TURN OFF ELECTRICITY.**

1. Refer to assembly drawing before you start installation.
2. Use a screwdriver to open the front cover to connect the battery connector (Figure 3).
3. Position recessed kits and bar hangers between joists. Make sure the bar hangers are in the correct location. Temporarily position the recessed kits by hammering the "nail-in" tabs on the bar hangers, secure permanently with nails. The bar hangers should be level with the bottom of the joists.
4. Adjust height of recessed kits vertically using adjusting slots and then tightening all screws on adjusting slots and bar hanger bracket to secure adjusting bracket and bar hangers (Figure 4).
5. Proper electrical connections can be made in the J-box or inside the recessed metal box. If using 120VAC, connect the back and white leads to the building utility. If using 277VAC, connect the orange and white leads to the building utility. Cap off any unused wires. In all cases, use standard wire nuts in connecting leads (Figure 5).
6. Connect test switch and LED indicator cables via connectors.
7. Insert fixture into the spring retainers in the metal back box. Connect test switch and assemble the LED indicator on the bushing on trim plate. Attach the trim plate to the metal back box using (2) FM4\*15 screws (supplied) (Figure 6).
8. Peel off protective film from acrylic panel (Figure 7).
9. Determine direction for chevron placement (see page 2).
10. The unit can be installed on any surface, you may rotate the EXIT panel in any angle from 0° to 180°.



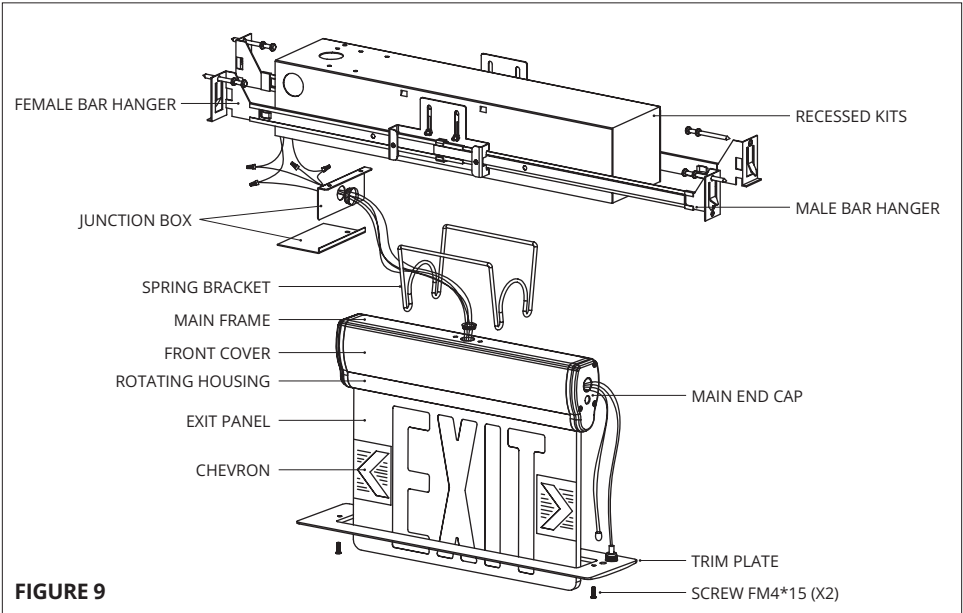
# RECESSED WALL MOUNTING

1. Reference steps 1-10 in recessed ceiling mounting for recessed wall mounting installation.
2. Recessed ceiling mounting rotated 90° becomes recessed wall mounting (Figure 8).



**FIGURE 8**

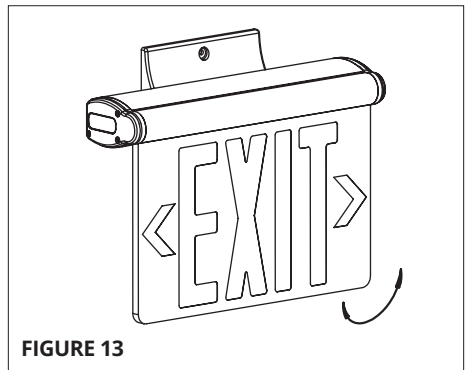
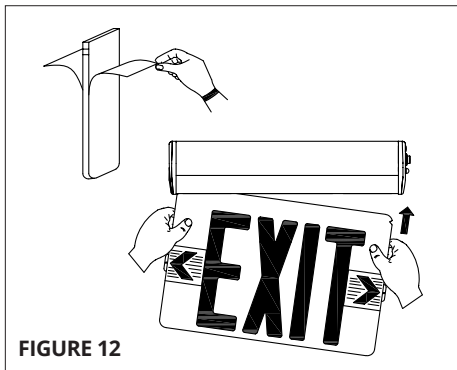
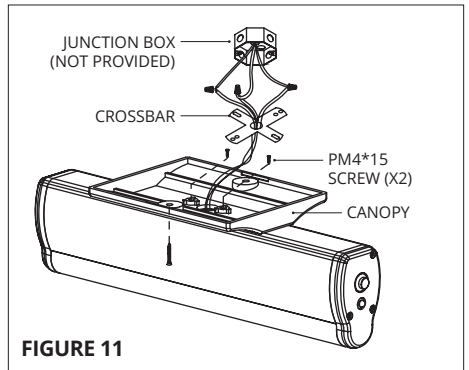
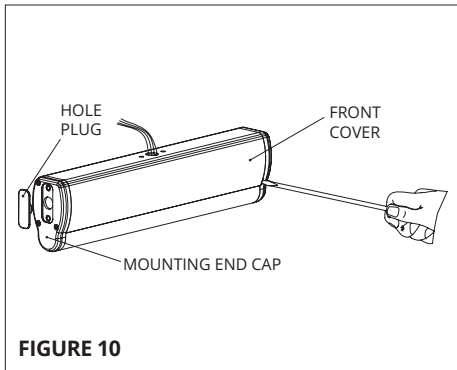
# ASSEMBLY DRAWING



**FIGURE 9**

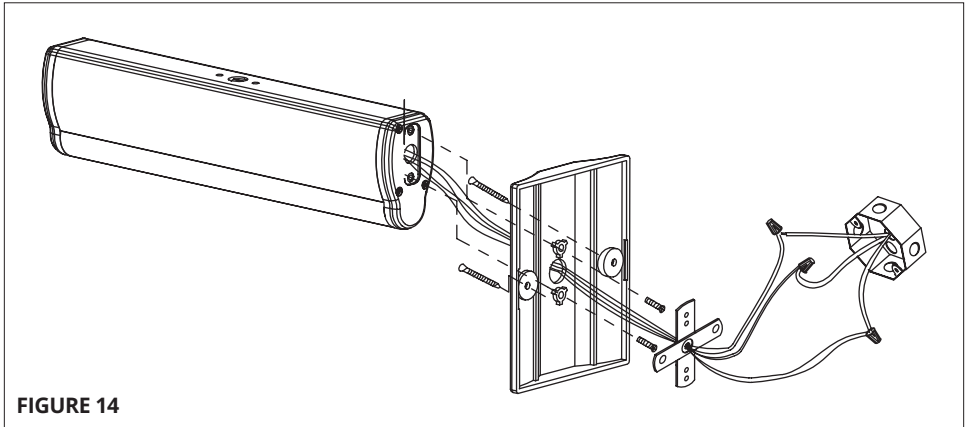
# SURFACE CEILING AND WALL MOUNTING

1. Attached crossbar to junction box, using screws if needed (screws are not provided).
2. Use a screwdriver to open the front cover, then connect the battery (Figure 10).
3. Feed AC supply wires through canopy center hole.
4. Assemble canopy onto main body assembly with two (2) PM4\*15 screws (supplied) and make proper wire connections. See page 2).
5. Use two (2) PM4-40 screws (supplied) to tighten canopy to crossbar (Figure 11).
6. Peel off protection film from both sides of the EXIT panel, gently insert EXIT panel into main body assembly. If the EXIT panel is single, ensure that the EXIT letter direction is correct (Figure 12).
7. Determine direction for chevron placement (see page 2).
8. The unit can be installed on any flat surface. The EXIT panel can pivot in any angle from 0° to 180°, for wall mounting rotate the panel 90° from the ceiling mounting (Figure 13).

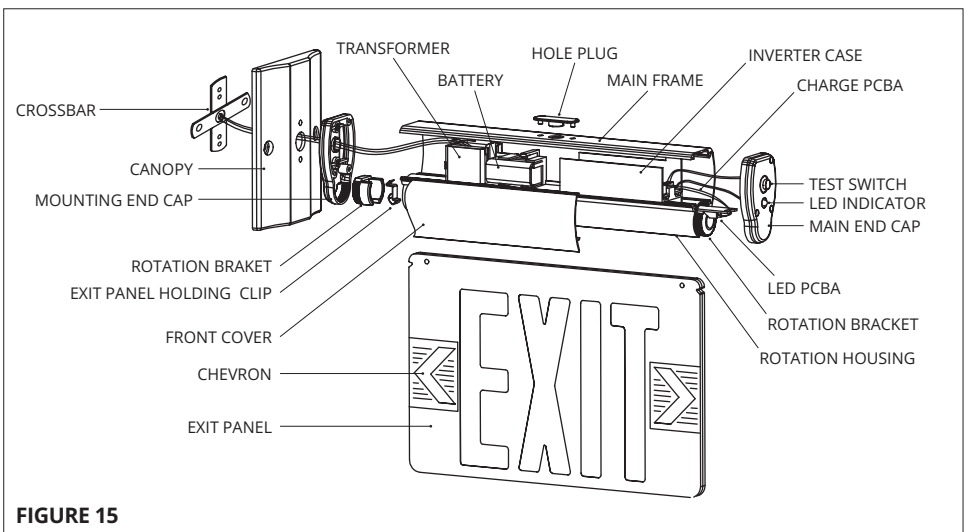


# SURFACE END MOUNTING

1. Attached crossbar to junction box, using screws if needed (screws are not provided).
2. Use a screwdriver to open the front cover to connect the battery connector.
3. Remove the hole plug from the mounting end cap.
4. Pull out all AC supply wires and feed wire through the center hole of the mounting cap and then the canopy.
5. Reference steps 4-7 in surface ceiling & wall mounting above to finalize surface end installation.
6. The unit can be installed on any surface. The EXIT panel can rotate in any angle from 0° to 180°.



# ASSEMBLY DRAWING



## **MAINTENANCE**

Battery will require a charge period if product was kept in storage for over 9 months, detail manual refer "BATTERY STOCK AND RECHARGE GUIDELINE". We recommend that the equipment be tested regularly in accordance with local codes. Replace the batteries as needed if discharge time does not achieve the required 90 minutes.

## **OPERATION**

Press the test button, unit will be illuminated by battery backup and the LED indicator will be turned off. Release the test switch, LED indicator will be turned on.

## **TROUBLESHOOTING GUIDE**

If LED array or LED indicator does not illuminate, check the following:

1. Check AC supply - Verify that the unit has constant 24 hour AC supply.
2. Battery connection, verify the battery is connected properly.
3. Discharge battery and charge battery for 24 hours and then test again.
4. If the above troubleshooting does not solve the problem, please contact the factory for assistance.



**SAVE THESE INSTRUCTIONS**

31 Waterloo Ave • Berwyn, Pa • 19312 U.S.A  
Telephone: (610) 647-8200 • Email: [support@isolite.com](mailto:support@isolite.com)