



## **THINLINE 2.0 - TL2 PENDANT MOUNTING** DIE CAST ALUMINUM LED EXIT SIGNS

### **INSTALLATION AND OPERATING INSTRUCTIONS**

#### **IMPORTANT SAFEGUARDS**

**READ AND FOLLOW ALL SAFETY INSTRUCTIONS**

When using electrical equipment, basic safety precautions should always be followed including the following:

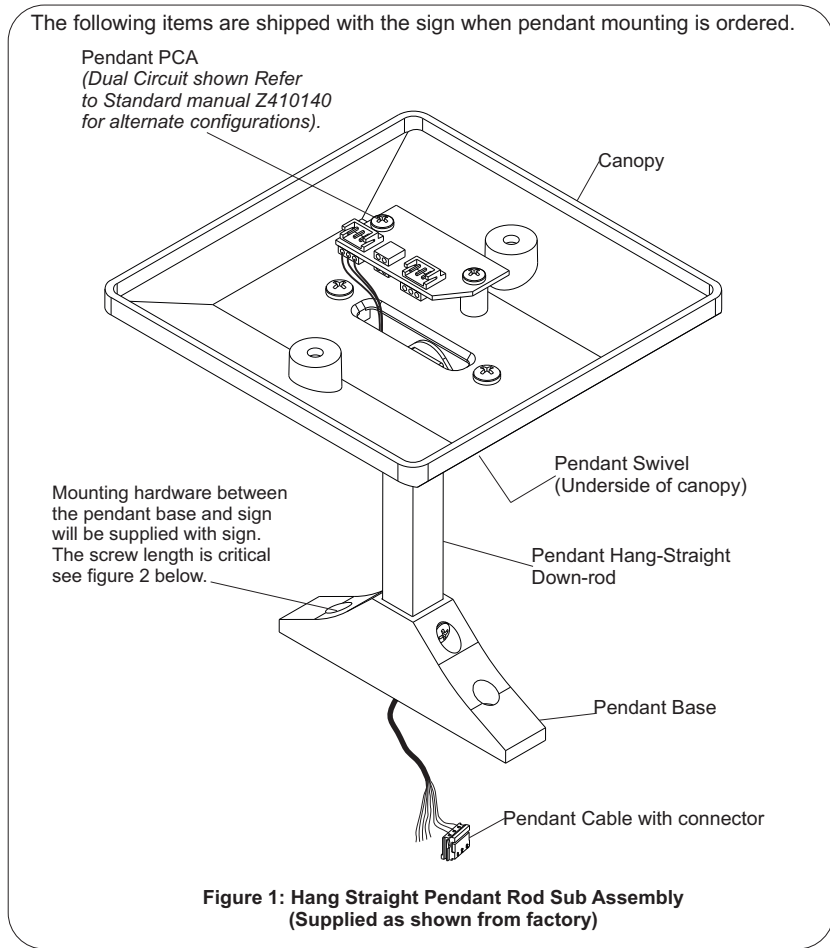
1. DO NOT use outdoors.
2. DO NOT mount near gas or electric heaters.
3. Equipment should be mounted in locations and at heights where it will not be readily subject to tampering by unauthorized personnel.
4. The use of accessory equipment is not recommended by the manufacturer. Use of such equipment may cause an unsafe condition.
5. DO NOT use this equipment for other than intended use.
6. Conduct periodic visibility tests in accordance with the applicable installation code (such as NFPA 101).
7. Supply connections MUST be made inside the junction box.
8. Install using recommended junction box ONLY.
9. Servicing of this equipment should be performed by a qualified service personnel.
10. Install sign indoors only where not exposed to direct unfiltered sunlight, liquid spray or temperatures outside of the range of 10°C to 40°C.
11. Before installing unit, disconnect power at breaker panel.

**SAVE THESE INSTRUCTIONS**  
**CONSERVER LA FICHE D'INSTRUCTION**

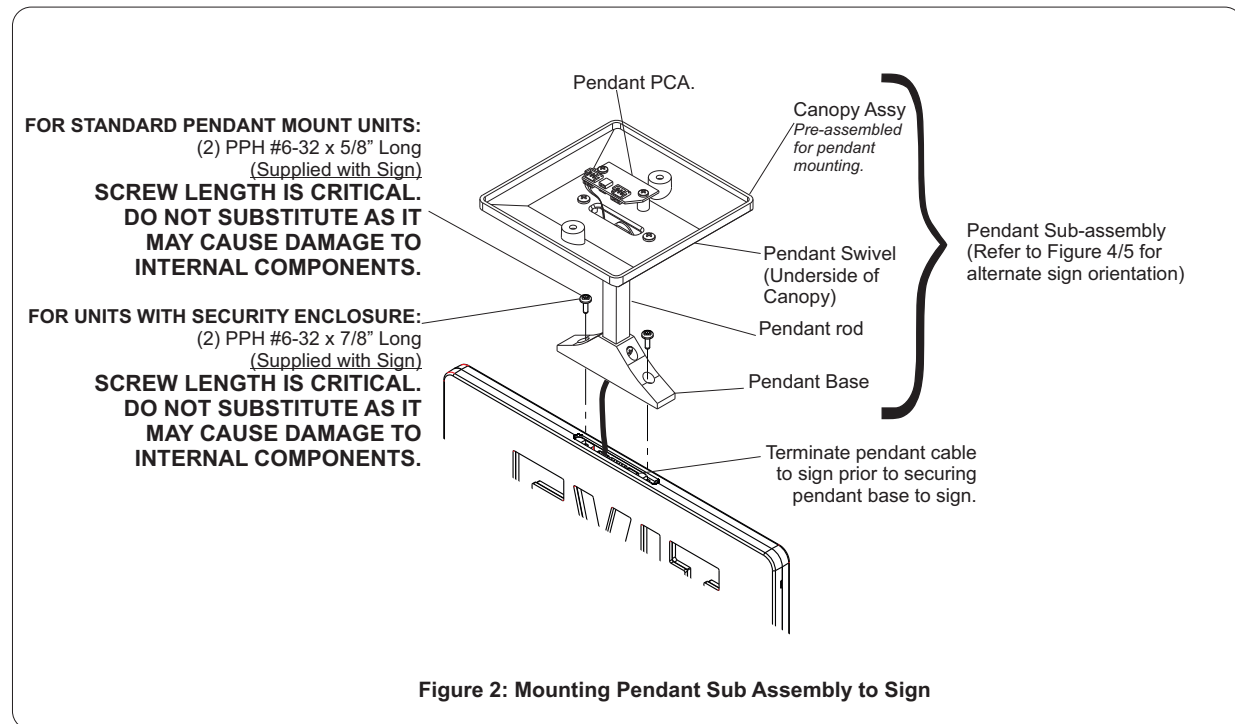
**31 Waterloo Avenue • Berwyn • PA 19312 U•S•A**  
**Telephone: (610) 647-8200 • Fax: (610) 296-8952**

**e<sup>3</sup> LIGHTING** [energy efficient emergency lighting]

# COMPONENTS SUPPLIED WITH SIGN FOR PENDANT MOUNTING

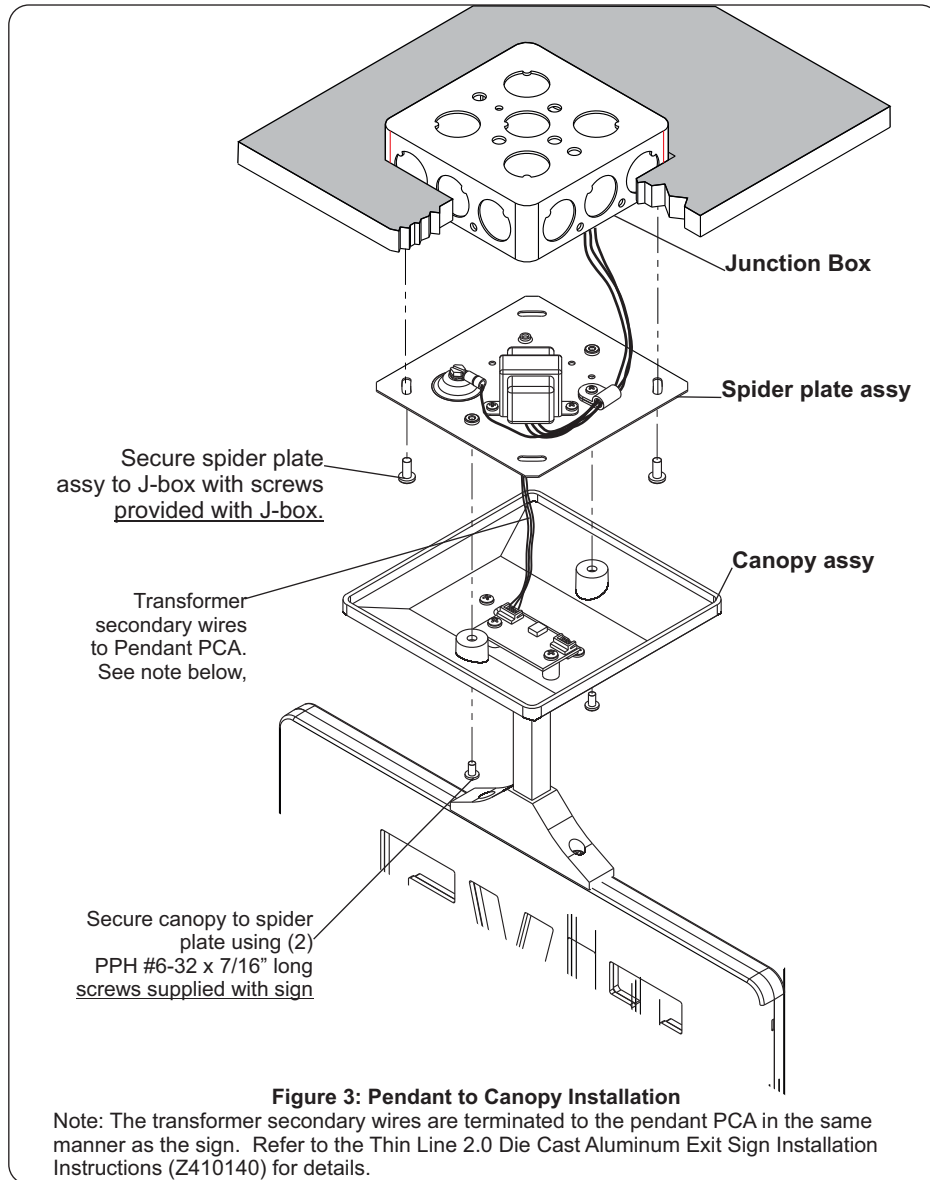


## SECURE SIGN TO PENDANT ASSEMBLY



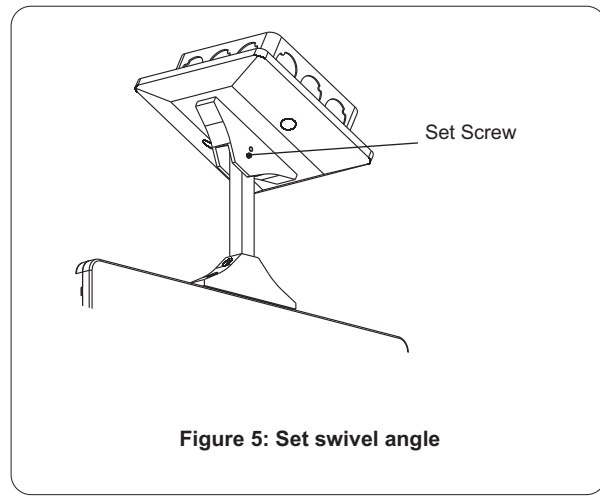
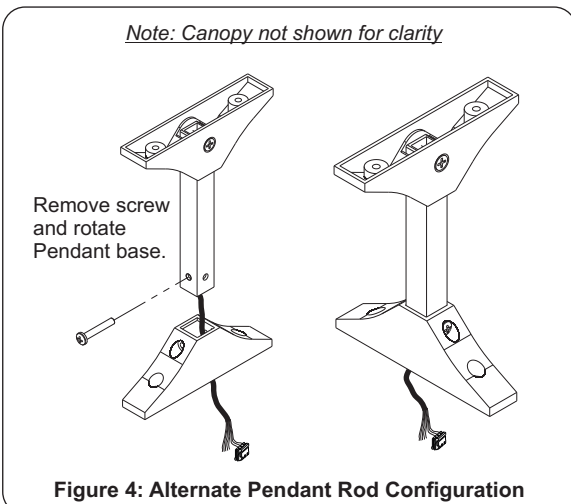
**NOTE: if an optional security enclosure is required, it must be installed prior to securing the pendant mount base to the sign. Refer to the Polycarbonate Security Enclosure Installation Instruction (Z410146) for details.**

## SECURE CANOPY TO SPIDER PLATE



## OPTIONAL CONFIGURATION: SIGN ORIENTATION AND SWIVEL

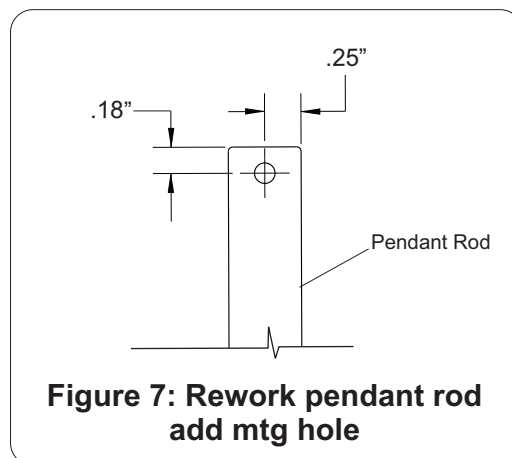
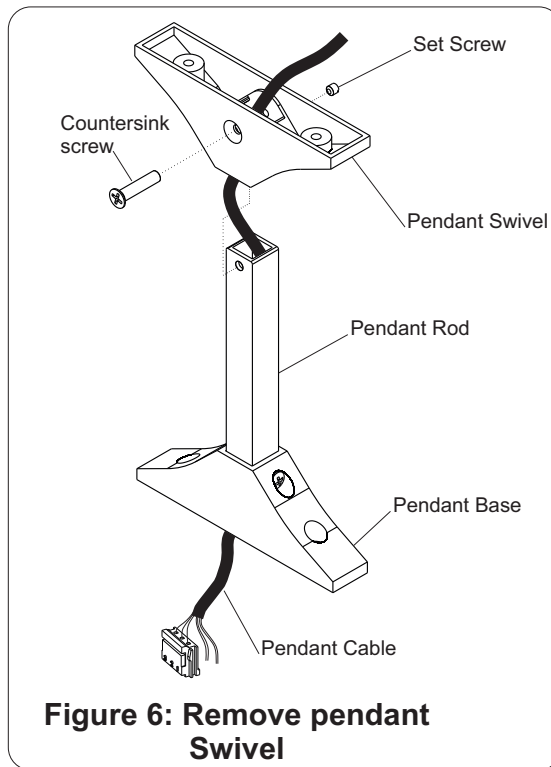
The pendant assembly is supplied such that the pendant base, swivel and sign's face are parallel (Figure 4). To alter this orientation, remove pan head screw and rotate pendant base 90°. Replace screw and tighten. Set the swivel angle (Figure 5), tighten the set screw to lock.



## OPTIONAL CONFIGURATION: CUSTOM LENGTH

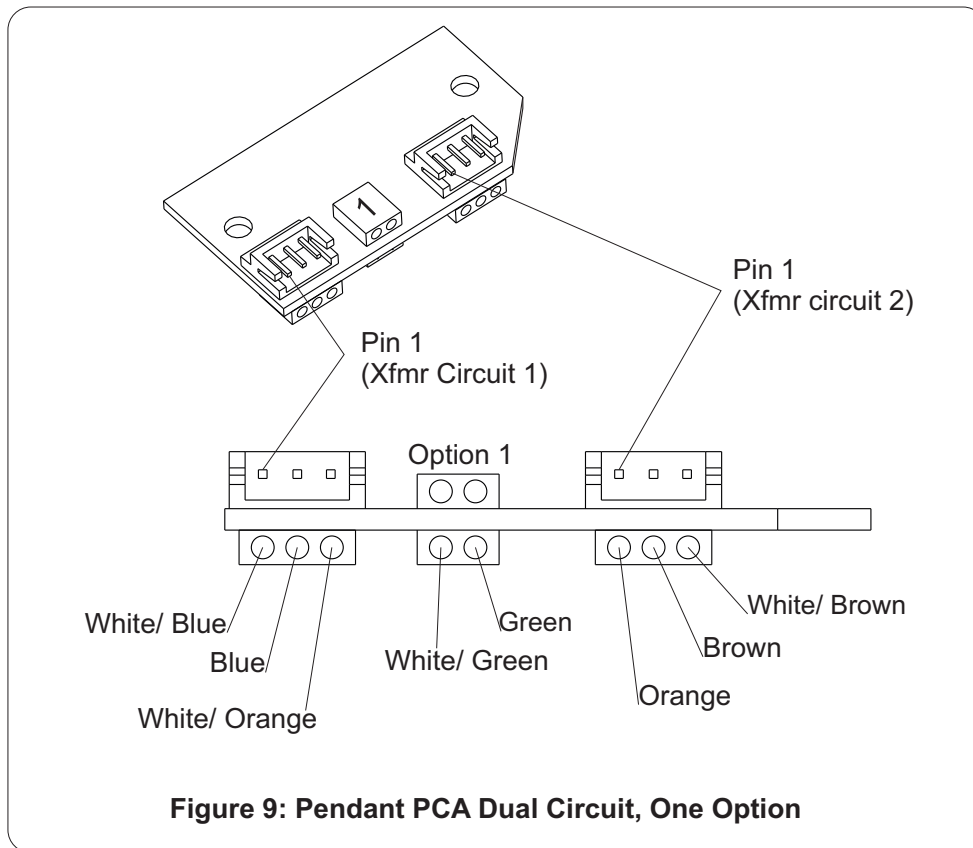
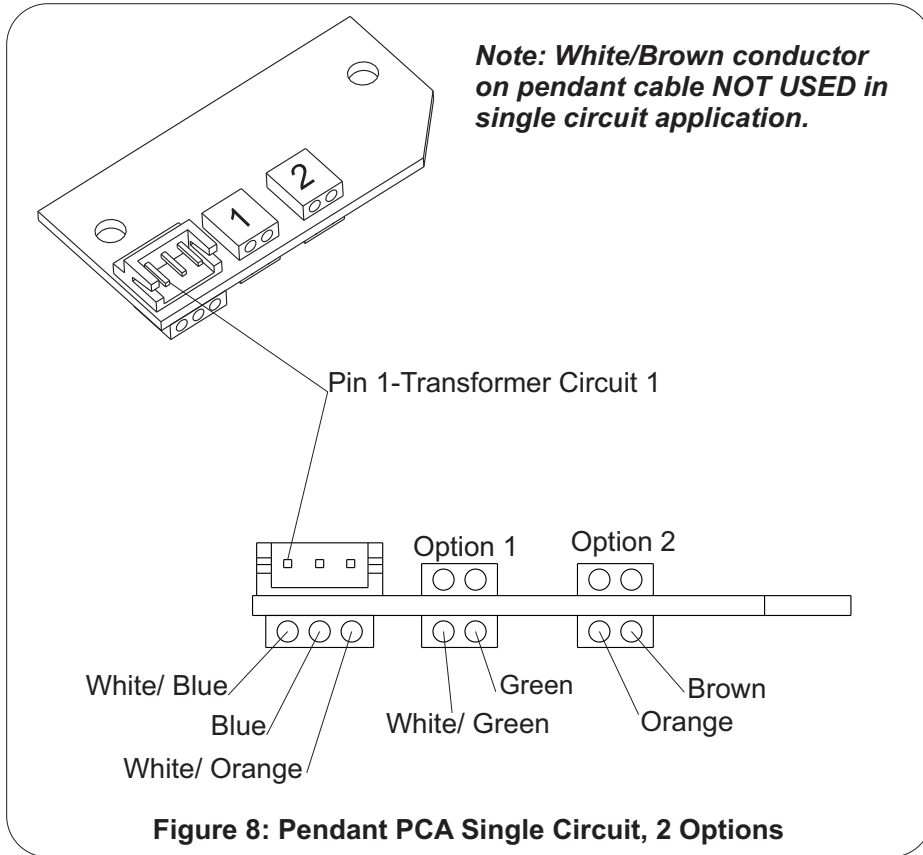
Pendant assemblies are supplied at a standard length (12" increments). To modify the length of the pendant, the pendant rod can be trimmed from the top.

1. Remove the canopy per figure and twist out the wires gently to remove them from the pendant PCA, DO NOT PULL.
2. Take the pendant swivel off by removing countersink and set screw (set aside hardware).
3. Trim pendant rod to desired length being careful not to damage the cable assembly.
4. Drill hole into the pendant rod for the countersink screw (same as supplied) per Figure 7.
5. Trim pendant cable such that there is a 1.5" overhang beyond the top of the rod.
6. Strip back cable sleeving 1.5" and strip wires 3/16"
7. Feed cable through pendant swivel, install counter sink screw and set angle and install set screw.



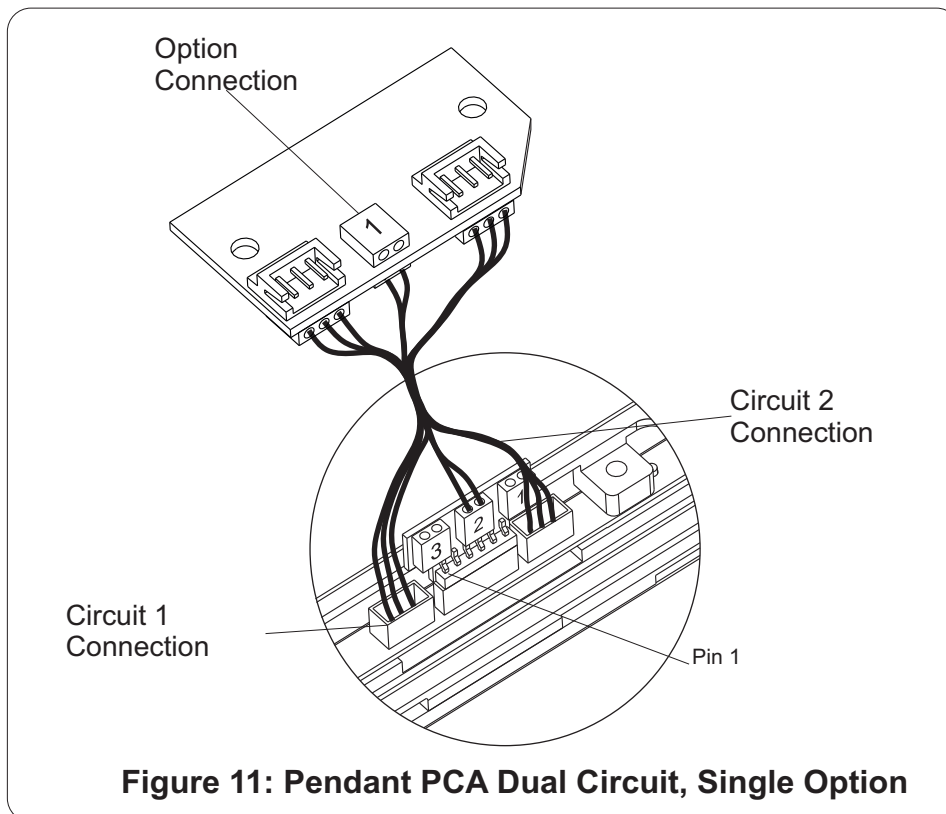
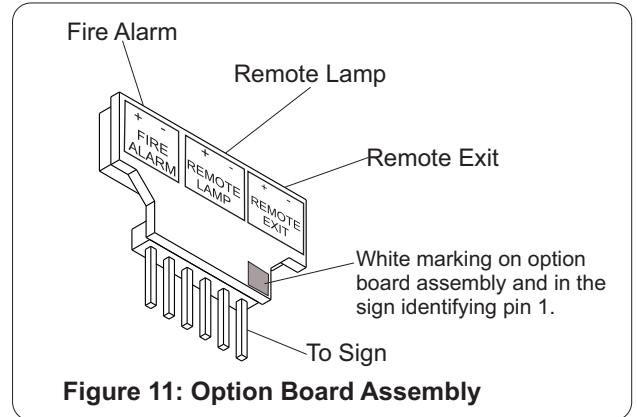
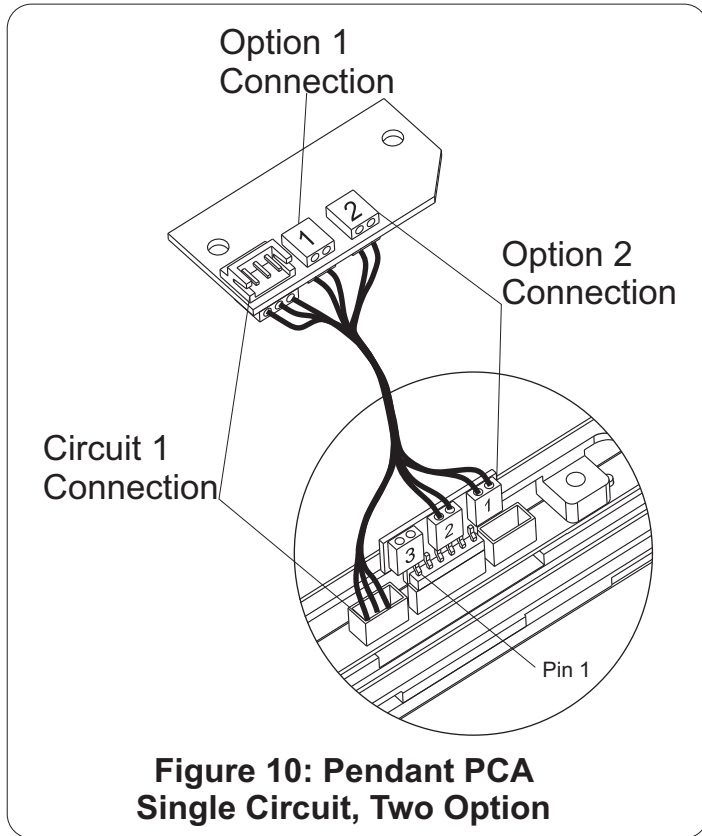
# PENDANT BOARD ASSEMBLY - FOR REFERENCE ONLY

The pendant board is different for a single/ dual circuit input. The board will be preassembled to the canopy from the factory. Refer to figures below for conductor color and pin terminations.



# PENDANT PCA TO OPTION CONNECTOR - FOR REFERENCE ONLY

***Images are NOT to scale. Markings on the components are for illustrative purposes only. Pendant rod, canopy and housing are not shown. Polarity must be maintained between the pendant PCA and the sign.***



***Options are defined at time of ordering. The sign is configured at the factory for the options specified.***