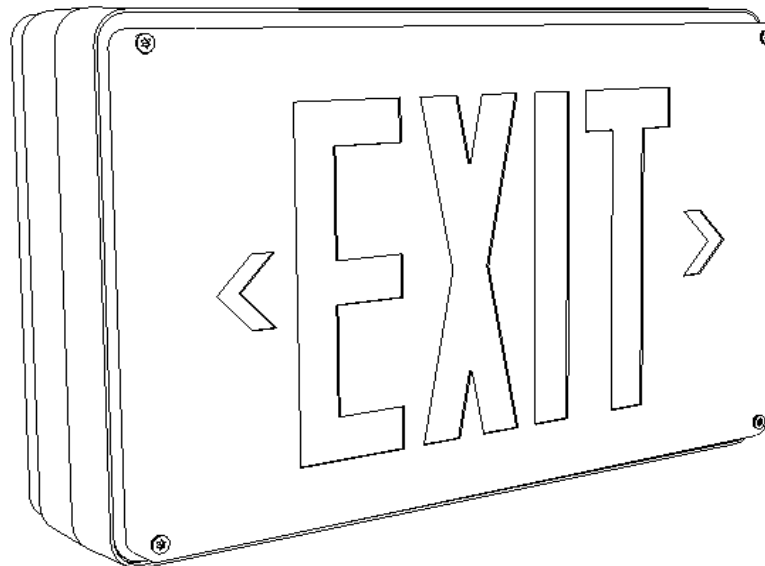


## INSTRUCTIONS

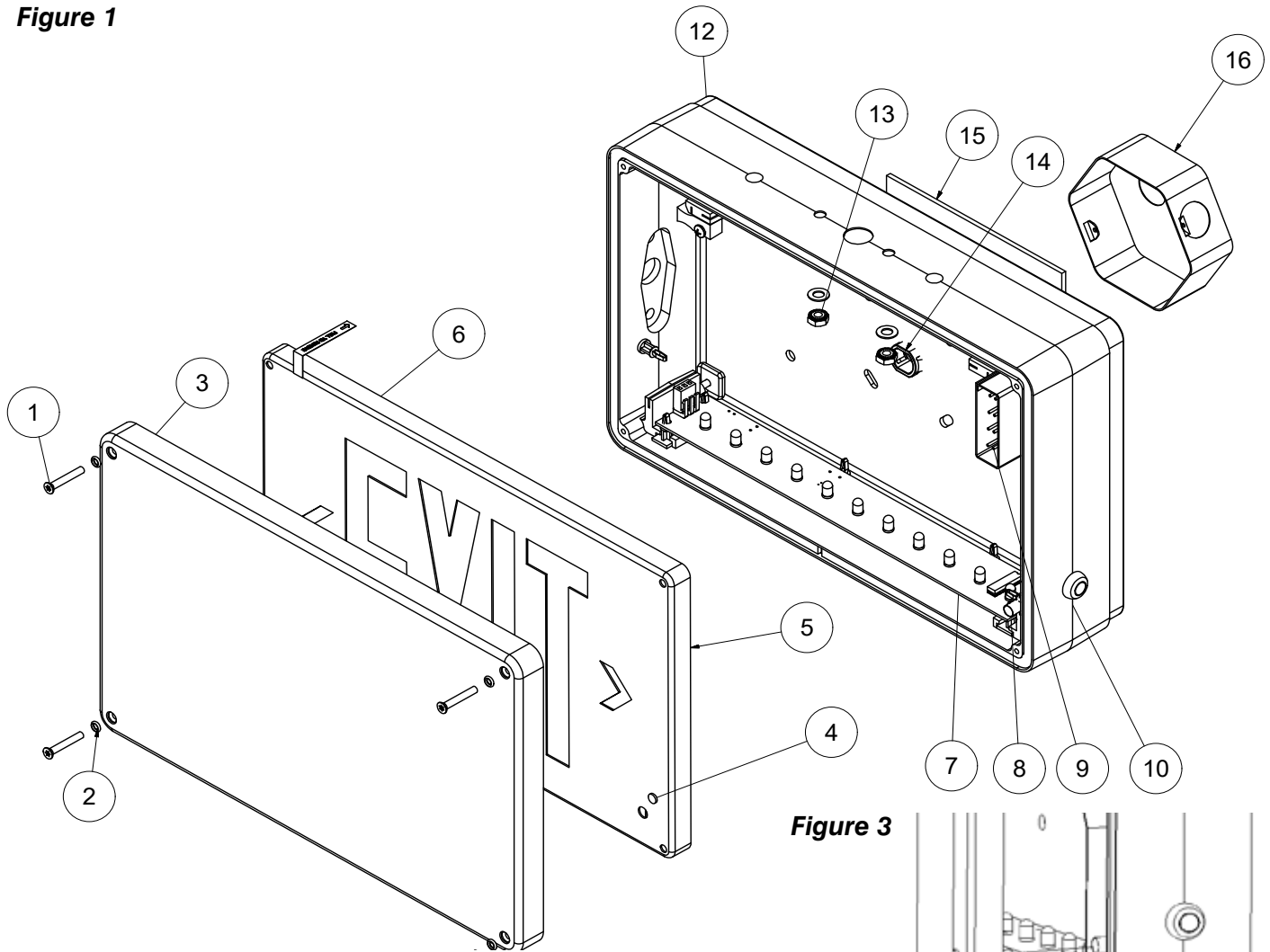
### IMPORTANT SAFEGUARDS

When using electrical equipment, basic safety precautions should always be followed including the following:

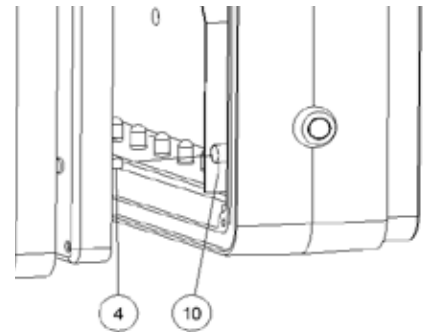
1. **READ AND FOLLOW ALL SAFETY INSTRUCTIONS**
2. Disconnect power before performing work on electrical equipment.
3. Use caution when servicing batteries.
4. Equipment should be mounted in locations and at heights where unauthorized personnel will not readily subject it to tampering.
5. The use of accessory equipment not recommended by the manufacturer, may cause an unsafe condition, and will void the unit's warranty.
6. Do not use this equipment for other than its intended purpose.
7. Servicing of this equipment should be performed by qualified service personnel.
8. **SAVE THESE INSTRUCTIONS!**



**Figure 1**



**Figure 3**



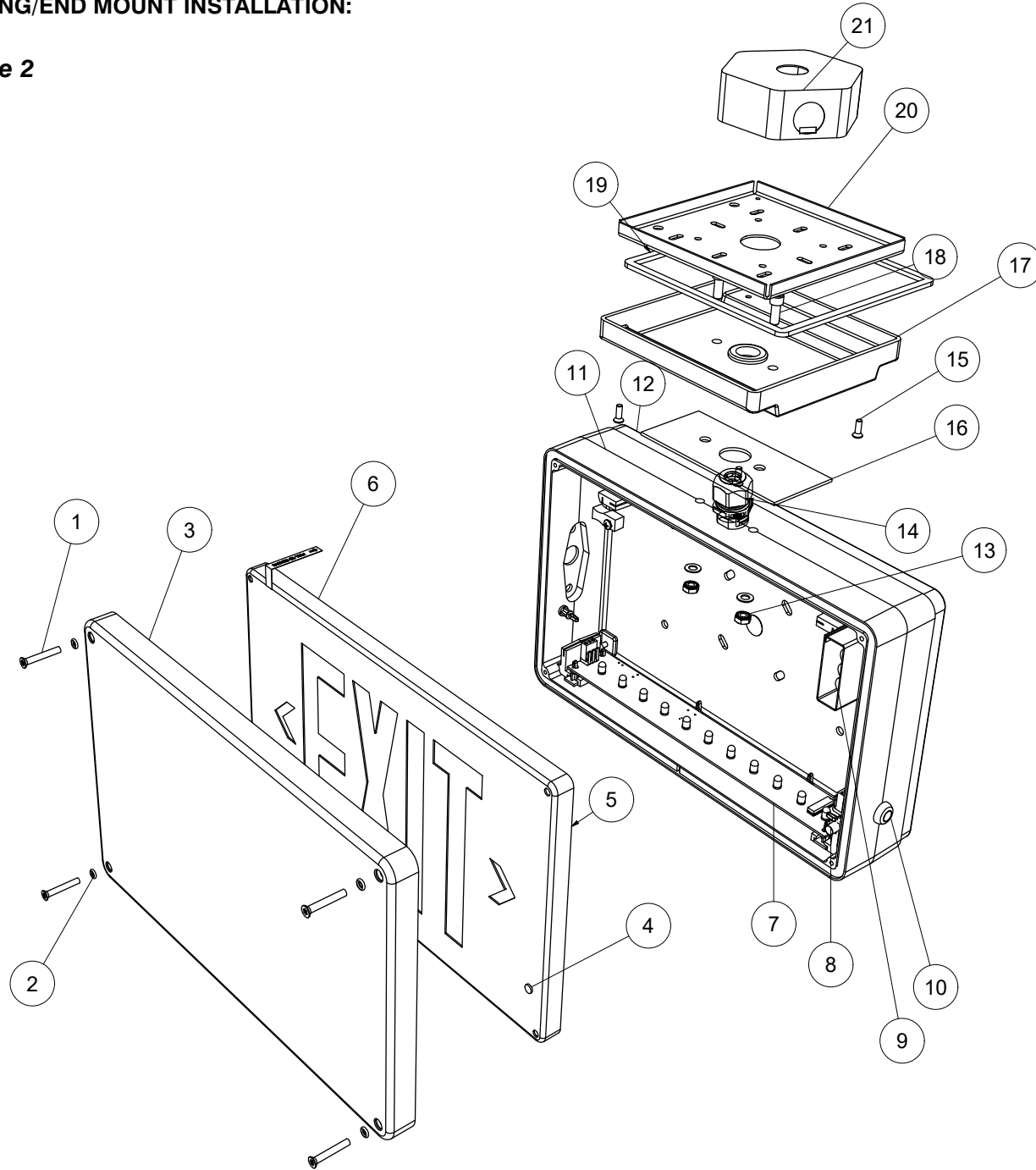
**WALL MOUNT INSTALLATION:**

1. Remove torx screws (1) to release clear cover (3). There are 4 O-rings (2) inserted to the clear cover screw holes. Release the stencil (6) from the clear face cover (3). Knockout to remove the chevron as necessary from the stencil. Peel off backing paper from the tape on the back of the stencil (6) and carefully position and stick the colored fibre to the stencil.
2. Remove the back plate (12) knockouts using applicable knockout holes. Install the liquid tight bushing into the large centre knockout with the lock nut (14). Feed the lead wires through the bushing and tighten to complete the liquid tight seal and install wall gasket then secure the back plate and housing to the wall. Connect wire per wiring diagram provided. **Caution! Failure to insulate unused wire may result in a shock hazard or unsafe condition as well as equipment failure.**
3. Replace faceplate, clear cover and torx screws.  
Note: When installing the cover, be sure to align the light pipe (4) and LED indicator (8). See Figure 3.
4. Plug battery into connector on LED board.
5. Apply power.

PARTS LIST	
1.	Torx tamper proof screw
2.	O-ring
3.	Clear face cover
4.	Pipe light
5.	Coloured fibre
6.	Black stencil
7.	LED board
8.	LED indicator
9.	Battery
10.	Test switch
11.	Die-cast aluminum frame
12.	Back plate
13.	Canopy nuts
14.	Strain relief bushing
15.	Gasket
16.	Octagon box (not supplied)

**CEILING/END MOUNT INSTALLATION:**

**Figure 2**



**PARTS LIST**

- |                             |                                |
|-----------------------------|--------------------------------|
| 1. Torx tamper proof screw  | 12. Back plate                 |
| 2. O-ring                   | 13. Canopy nuts                |
| 3. Clear face cover         | 14. Strain relief bushing      |
| 4. Pipe light               | 15. Mounting base screws       |
| 5. Coloured fibre           | 16. Canopy gasket              |
| 6. Black stencil            | 17. Canopy                     |
| 7. LED board                | 18. Canopy cap screws          |
| 8. LED indicator            | 19. Gasket                     |
| 9. Battery                  | 20. Canopy mounting base       |
| 10. Test switch             | 21. Octagon box (not supplied) |
| 11. Die-cast aluminum frame |                                |

---

### CEILING/END MOUNT INSTALLATION:

1. Remove torx screws (1) to release clear cover (3). There are 4 O-rings (2) inserted to the clear cover screw holes. Release the stencil (6) from the clear cover (3). Knockout to remove the chevron as necessary from the stencil (6). Peel off backing paper from the tape on the back of the stencil and carefully position and stick the colored fibre to the stencil.
2. To install canopy kit (17), knockout on the top (for ceiling mount) or the knockout on the side (for end mount). Position canopy gasket (16) and the canopy (17). Install the cap screws (18) and the washers. Attach canopy nuts (13) and then tighten. Install strain relief bushing (14) and feed the wire through the bushing and tighten to make a liquid tight seal. Install the canopy mounting base (20) to the octagon box (21) (not supplied). Connect wires per diagram provided. **Caution! Failure to insulate unused wire may result in a shock hazard or unsafe condition as well as equipment failure.** The mounting base can be rotated for the desired mounting angle. Install the canopy (17) to the mounting base (20) with the supplied screws (15).
3. Plug battery into connector on LED board.  
Note: When installing the cover, be sure to align the light pipe (4) and LED indicator (8). See Figure 3.
4. Apply power.

---

### NOTE:

If the sign is equipped with the auto-test feature, it will continuously monitor the battery voltage. After AC is resumed, if the diagnostic LED is OFF, this indicates battery is below the normal operating level. RESET the board with the steps below.

To keep the optimum performance of the battery, do not leave battery connected to the unit without the presence of AC power for more than 24 hours!

### LED Board RESET

- 1) Disconnect the battery and disconnect AC power
- 2) Wait 10 seconds
- 3) First reconnect the battery to the board, and then restore AC power
- 4) Confirm diagnostic LED is lit with Green or Flashing Red/Green

Allow a full 24-hour recharge prior to performing any test on the unit

---

### MAINTENANCE

The equipment is to be tested once a year in accordance with the code requirements. The equipment is to be repaired whenever the equipment fails to operate as intended during the duration test. Written records of test results and any repairs made must be maintained. The original manufacturer strongly recommends compliance with these code requirements.

The lamps listed herein when used according to the instructions with this unit are in accordance with the requirements of CSA Standard C22.2, No. 141 – Unit Equipment for Emergency Lighting.

NOTE: The servicing of any parts should be performed by qualified service personnel only. The use of replacement parts not furnished by the manufacturer may cause equipment failure and will void the warranty.

---

### WIRING DIAGRAM

