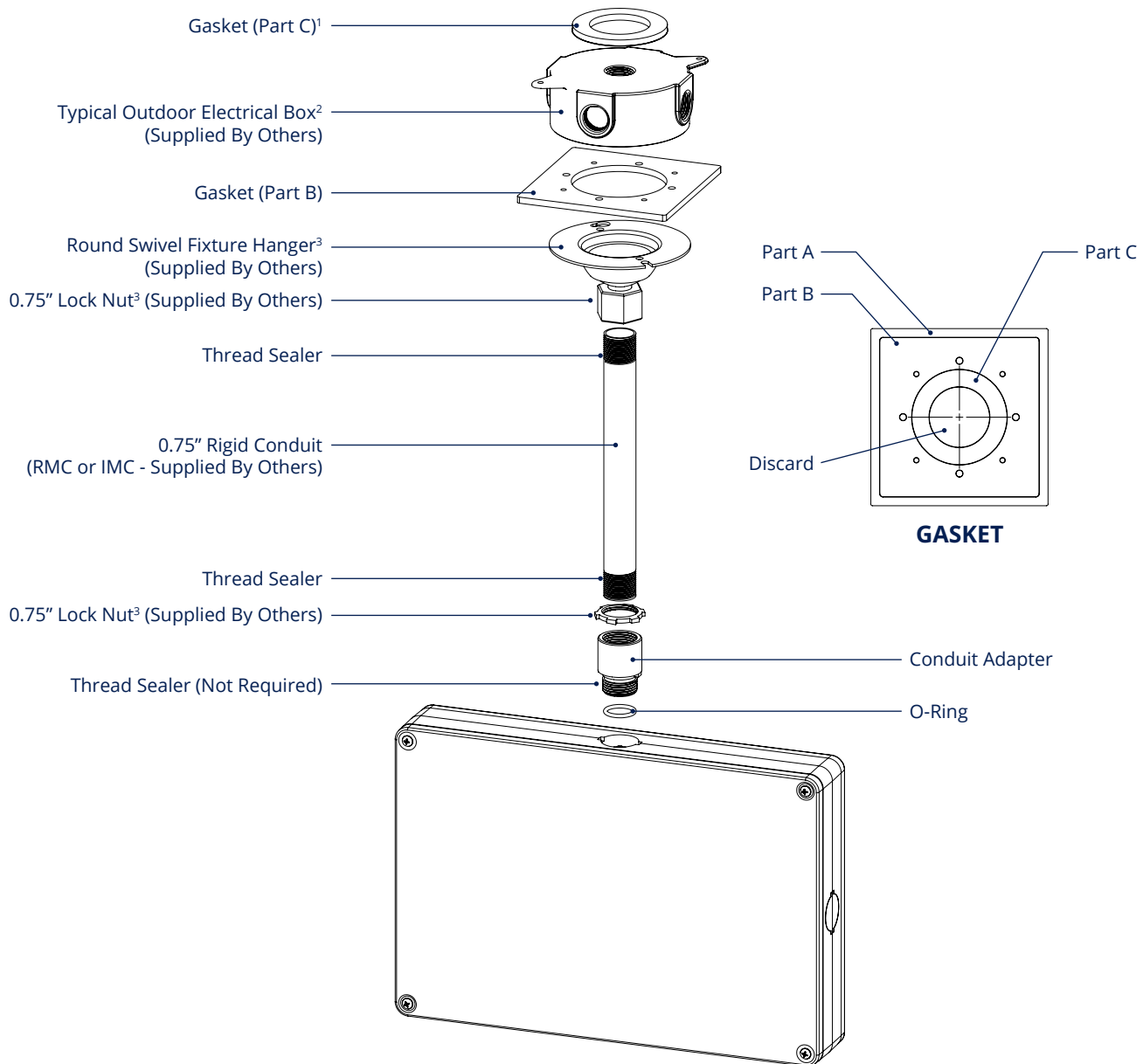


WET LOCATION PENDANT

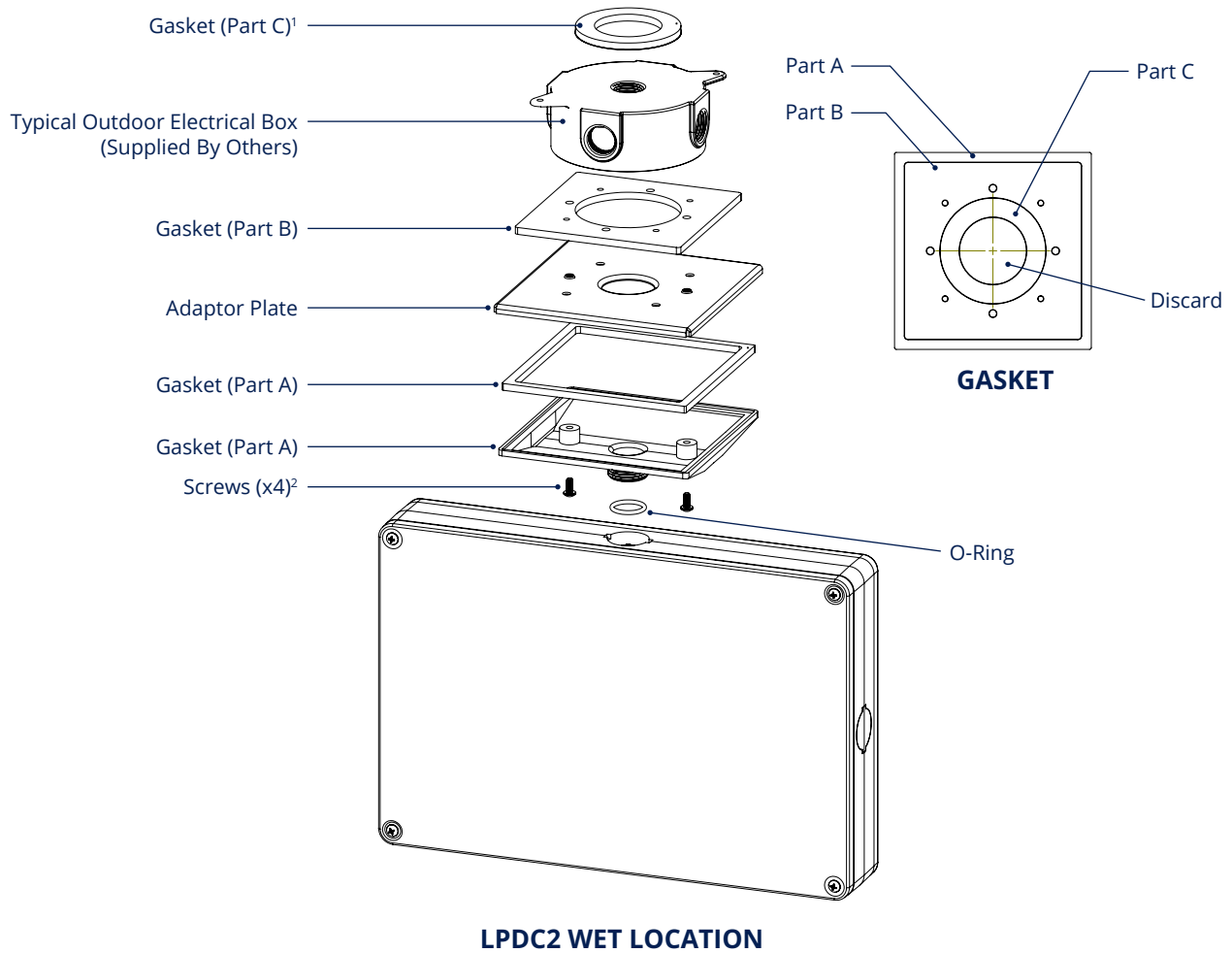


LPDC2 WET LOCATION

NOTES

1. Gasket (Part C) is required if rear conduit entry is used.
2. ROPR Shield compound is only UL listed.
3. Round Swivel Hanger by Garvin Industries (SC-75R) is require if pendant is greater that 18 inches. See NEC Article 314.23 (H-2).
4. Lock Nuts are not required if the sign is above 8 feet. See NEC Article 314.23 (H-2). Compound may be required. See Article 300.6 (A).

WET LOCATION CANOPY



NOTES

1. Gasket (Part C) is required if rear conduit entry is used.
2. Do not overtighten the screws—ensure the gaskets are **not** compressed no more than 50%.