

---

## INSTRUCTIONS IMPORTANT SAFEGUARDS

When using electrical equipment, basic safety precautions should always be followed including the following:

1. **READ AND FOLLOW ALL SAFETY INSTRUCTIONS**
  2. Disconnect power before performing work on electrical equipment.
  3. Do not use outdoors.
  4. Do not let power cords touch hot surfaces and do not mount near gas or electric heaters.
  5. Use caution when servicing batteries. Battery acid can cause burns to skin and eyes. If acid is spilled on skin or eyes, flush with fresh water and contact a physician immediately.
  6. Equipment should be mounted in locations and at heights where unauthorized personnel will not readily subject it to tampering.
  7. The use of accessory equipment not recommended by Isolite Inc., may cause an unsafe condition, and will void the unit's warranty.
  8. Do not use this equipment for other than its intended purpose.
  9. Servicing of this equipment should be performed by qualified service personnel.
  10. **SAVE THESE INSTRUCTIONS!**
- 

### INSTALLATION

#### WALL MOUNT - SINGLE FACE:

1. Extend unswitched 24 hour AC supply of rated voltage to junction box (supplied by others). Leave at least eight (8) inches of slack wire. The circuit should not be energized at this time.
2. Remove the exit sign powerpack cover screw(s). Lift the powerpack cover out of the way; it will be attached to the circuit board inside by lamp wires for the front heads. There is no need to disconnect these wires unless they impede installation (Figure 2).
3. Knock out the appropriate mounting holes and wire pass-thru holes in the universal mounting pattern stamped in the back of the powerpack. Holes should match junction box being used (supplied by others). If surface conduit/wiring is being used, knockout appropriate sized hole in powerpack to fit conduit connector.
4. Bring wires through the wire pass-thru hole and into the sign. Mount the sign securely to the junction box.
5. Connect AC supply per diagram provided (Figure 4). Insulate unused wire! CAUTION! - Failure to insulate unused wire may result in a shock hazard or unsafe condition as well as equipment failure.
6. Connect remote load wires (if any) to lamp output terminals. Route all wires and secure them in place.
7. Uncoil the wire lead(s) from the Positive battery terminal (+) and connect to the positive terminal connector on the circuit board (Fig 3).
8. Remove the exit faceplate and discard the canopy kit secured behind the exit face. Remove any directional chevron arrows to be indicated as required from the exit stencil (Figure 3).
9. Replace the exit faceplate and powerpack cover and secure each with the appropriate screw(s).
10. Turn on the AC voltage supply.
11. Position lamps/heads to provide best lighting distribution by loosening head set screws to adjust angle and swivel. Manually rotate or twist head to desired position then tighten set screws to lock position.

#### CEILING/END MOUNT - SINGLE OR DOUBLE FACE:

1. Locate canopy kit inside packaging. Depending on the model, the kit may be secured inside of the exit - remove faceplate.
  2. Follow steps 1 and 2 of Wall Mounting instructions above.
  3. Locate and remove the appropriate knockouts for ceiling or end mounting - one centre hole for wire pass-thru and two small holes on either side for canopy screws (Figure 3). Secure the canopy to the exit using the supplied nuts and bolts.
  4. Bring AC input and any remote load (optional) wires through the wire pass-thru hole and into the sign.
  5. Mount exit sign securely to ceiling or wall. Holes in the canopy match spacings on most electrical junction boxes; a spider plate adapter is provided for odd sized electrical boxes.
  6. Follow steps 5 to 11 of Wall Mounting instructions above.
- 

### CAUTION

This equipment is furnished with a sophisticated low voltage battery dropout circuit to protect the battery from over-discharge after it's useful output has been used. Allow 24 hours recharge time after installation or power failure for full-load testing.

---

### OPERATION

1. To Test, depress the TEST Switch. Charge indicator will go out and the DC lamps will come on.
  2. Release the TEST Switch. DC lamps will be extinguished, and the charge indicator will come on.
  3. A bright charge indicator indicates a high charge rate. After the battery has reached full charge, the indicator light will go out. Under normal operation the high charge indicator will turn off and on intermittently while the unit is in standby mode (regular/mains AC present) since the charge rate will vary in order to maintain an optimal battery charge.
-

Figure 1

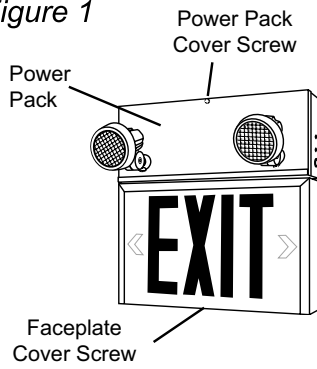


Figure 2

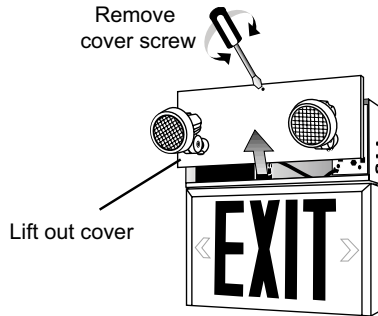


Figure 3

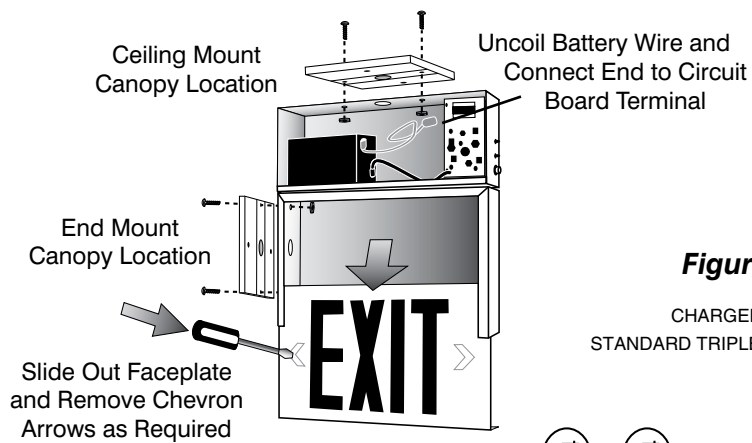
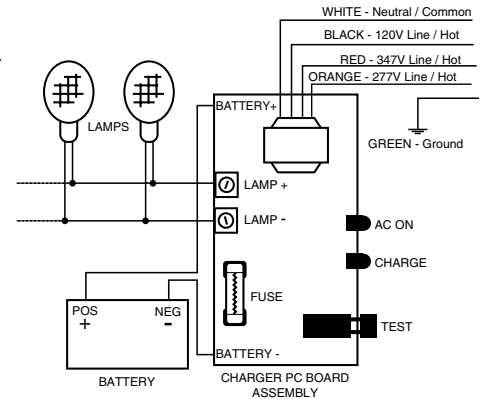


Figure 4

CHARGER BOARD  
STANDARD TRIPLE INPUT VERSION



## MAINTENANCE

1. Code requires that the equipment be tested every 30 days for 30 seconds, and that written records be maintained. Further, the equipment is to be tested once a year for the required duration as per Code. The battery is to be replaced or the equipment repaired whenever the equipment fails to operate as intended during the duration test. Written records of test results and any repairs made must be maintained. Isolite strongly recommends compliance with all Code requirements.

2. Clean lenses on a regular basis.

NOTE: The servicing of any parts should be performed by qualified service personnel only. The use of replacement parts not furnished by Isolite, may cause equipment failure and will void the warranty.

## TROUBLESHOOTING

### EMERGENCY LAMPS DO NOT COME ON AT ALL

Pilot Light is out before test...

1. Check AC supply - be sure unit has 24 hour AC supply (unswitched).
2. AC supply is OK, and indicator light is out, replace PC Board Assembly.

Pilot Light is on before test

3. Either the output is shorted or overloaded, or the battery is not connected.
4. Battery is severely discharged. Allow 24 hours for recharge and then retest. NOTE: This could be the result of a switched AC supply to the unit (which has been turned off at some point), a battery with a shorted cell, an old battery or a battery which has been discharged due to a long power outage and is not yet fully recharged.

### EMERGENCY LAMPS COME ON DIM WHEN TEST BUTTON IS PRESSED

1. Battery discharged - permit unit to charge for 24 hours and then retest. If lamps are still dim, check charger for proper function. If charger functions correctly, replace battery.

### EMERGENCY LAMPS COME ON WHEN BATTERY IS FIRST CONNECTED

1. Battery may be connected in reverse polarity. Check connections. Connect Positive lead to Positive battery terminal and Negative lead to Negative battery terminal. The lamps should then turn off and the charge indicator should light when AC power is applied.

### EMERGENCY LAMPS COME ON DIM WHEN AC POWER IS ON -

1. Check supply voltage and AC connections. This emergency light is provided with brownout protection. The AC supply must be at least 80% of nominal (96V on a 120V line) for equipment to function normally. At lower voltages the emergency lamps will begin to glow dimly until the source voltage drops below the full "turn-on" point. NOTE: This condition may also be caused by incorrectly connecting a 120 Volt supply line to the 347-Volt transformer lead.

## SAVE THESE INSTRUCTIONS