



INSTALLATION INSTRUCTIONS

REMOTE POWERED RETRACTED RECESSED EMERGENCY LIGHTING UNIT

IMPORTANT SAFEGUARDS

When using electrical equipment, basic safety precautions should always be followed including the following:

READ AND FOLLOW ALL SAFETY INSTRUCTIONS

1. Before wiring to power supply, disconnect power at fuse or circuit breaker.
2. Disconnect A.C. power before servicing.
3. Refer to wiring instructions sheet for proper connections.
4. Consult your local building code for approved wiring and installation.
5. Do not use outdoors.
6. Do not mount near gas or electric heaters.
7. Equipment should be mounted in locations and at heights where it will not readily be subject to tampering by unauthorized personnel.
8. The use of accessory equipment not recommended by the manufacturer may cause an unsafe condition.
9. Do not use this equipment for other than intended use.
10. Servicing of this equipment should be performed by qualified service personnel.

SAVE THESE INSTRUCTIONS CONSERVER LA FICHE D'INSTRUCTION

31 Waterloo Avenue - Berwyn - PA 19312 U.S.A.
Telephone: (610) 647-8200 • Fax: (610) 296-8952

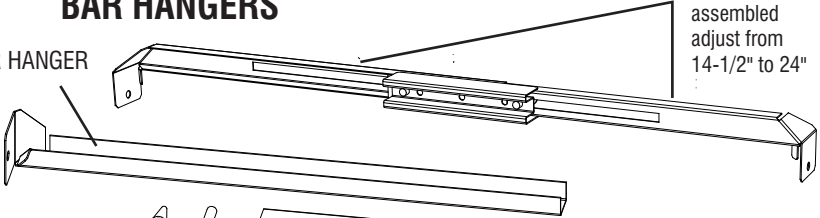
e³ LIGHTING [energy efficient emergency lighting]

BACKBOX INSTALLATION

**DO NOT INSTALL SPLICE BOX COVER INTO BACKBOX
UNTIL WIRING IS COMPLETE**

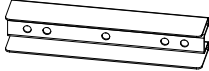
BAR HANGERS

(4) BAR HANGER



Bar Hangers telescope when assembled adjust from 14-1/2" to 24"

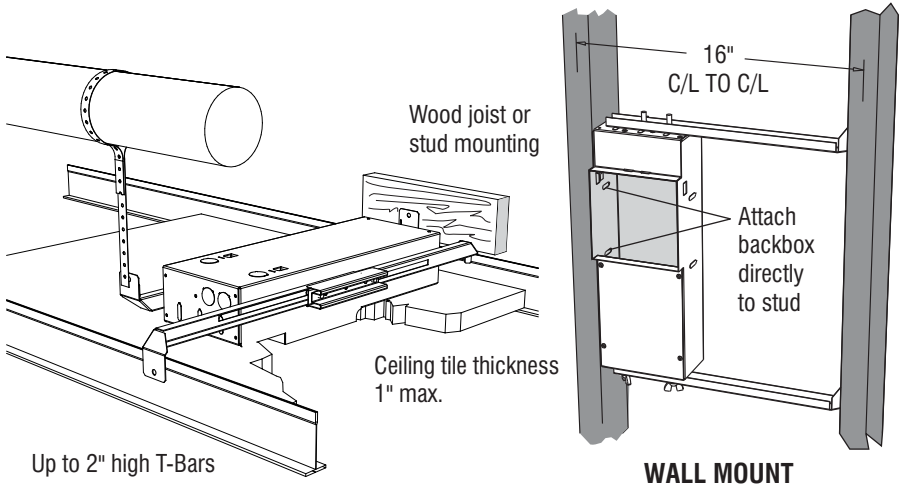
HARDWARE KIT



(2) HANGER CLAMP

ROUGH-IN CEILING AND WALL MOUNT

SUPPORTING MEMBERS MUST BE ABLE TO SUPPORT A LOAD OF AT LEAST 25 LBS.



Remove appropriate mounting knockouts on top, bottom or sides of backbox. Attach Bar Hangers to backbox using Bolts and Hanger Clamps supplied.

Using hardware supplied by others, attach to wood studs or joists with screws or nails, attach to metal studs with sheet metal screws with a minimum pullout rating of 25 lbs. Hanger bars will rest directly on drop ceiling T-Bars and can be secured by screws or wire (supplied by others). **UNIT IS APPROVED FOR TYPE IC INSTALLATION.**

Align backbox so lamphead opening is flush, or slightly behind inner surface of ceiling or wall.

MAXIMUM MOUNTING HEIGHT 13 FEET

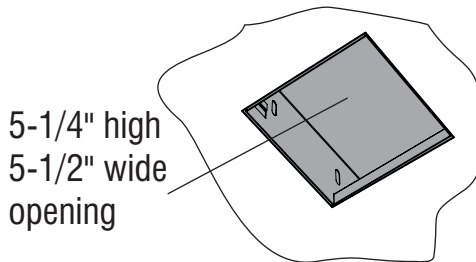
CLOSE-IN CEILING AND WALL MOUNT

DRY WALL:

Cutout hole in ceiling material should be 5-1/4" high by 5-1/2" wide. Align backbox so lamphead opening is flush, or slightly behind inner ceiling or wall surface.

WET WALL:

Plaster flush up against lamphead opening.



WIRING INSTRUCTIONS

BEFORE MAKING CONNECTIONS, DE-ENERGIZE BRANCH CIRCUIT AT BREAKER PANEL

This unit contains two transformers identified as the BACKUP and UTIL.

The LEDs are powered from the BACKUP transformer. The BACKUP supply must provide power during a UTILITY power outage. The UTIL transformer is used to provide an indication of a UTILITY power outage when the BACKUP supply is on, regardless of the state of utility power.

Connections to the input wires of the transformers depend upon the applications outlined below.

When BACKUP supply is normally off and only turns on during a utility power outage, such as from the normally off output of an inverter or a generator.

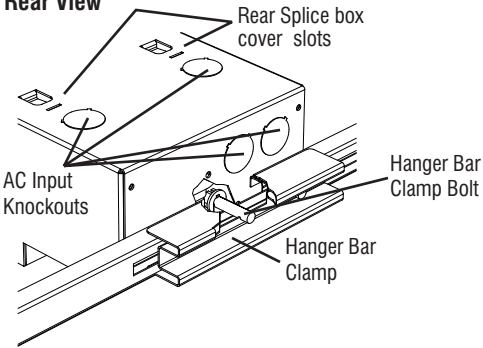
1. Connect BACKUP supply neutral to the BACKUP transformer White lead.
2. If BACKUP supply is 120V, connect BACKUP 120V to the BACKUP transformer Black lead. If BACKUP supply is 277V, connect BACKUP 277V to the BACKUP transformer Orange lead. USE ONLY ONE OF THE SUPPLY LEADS (ORANGE OR BLACK). CAP UNUSED LEAD.
3. Cap all three leads of the UTIL transformer.

When BACKUP supply is normally on regardless of the state of utility power:

1. Connect BACKUP supply neutral to the BACKUP transformer White lead.
2. If BACKUP supply is 120V, connect BACKUP 120V to the BACKUP transformer Black lead. If BACKUP supply is 277V, connect BACKUP 277V to the BACKUP transformer Orange lead. USE ONLY ONE OF THE SUPPLY LEADS (ORANGE OR BLACK). CAP UNUSED LEAD.
3. Connect UTILITY supply (without emergency backup) neutral to the UTIL transformer White lead.
4. If UTILITY supply is 120V, connect UTILITY 120V to the UTIL transformer Black lead. If UTILITY supply is 277V, connect UTILITY 277V to the UTIL transformer Orange lead. USE ONLY ONE OF THE SUPPLY LEADS (ORANGE OR BLACK). CAP UNUSED LEAD.

Select and remove desired knockout(s) for AC power input with at least 6" of AC power leads extending into backbox. Secure cable with approved wire clamp and make connections using wire nuts supplied. Connect wires per local codes. Connect to transformer as follows:

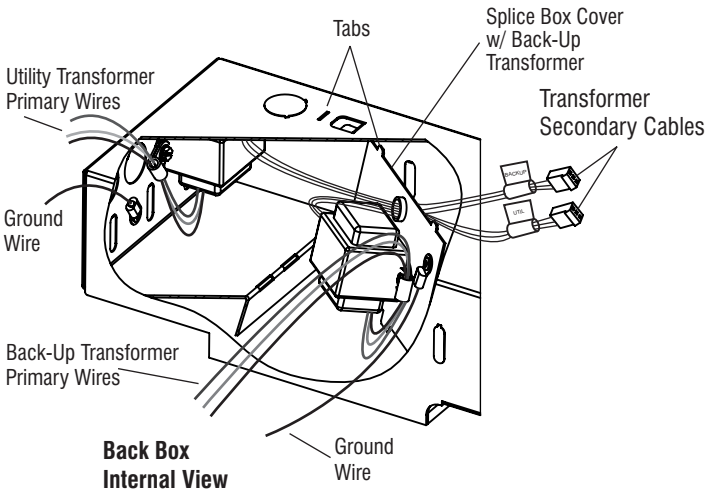
**Back Box
Rear View**



BLACK Lead for 120V or
ORANGE Lead for 277V
(CAP UNUSED LEAD)

WHITE Lead for Neutral

Connect **GREEN/YELLOW Lead for GROUND**. Dress AC and Ground wires down to bottom of backbox.



**Back Box
Internal View**

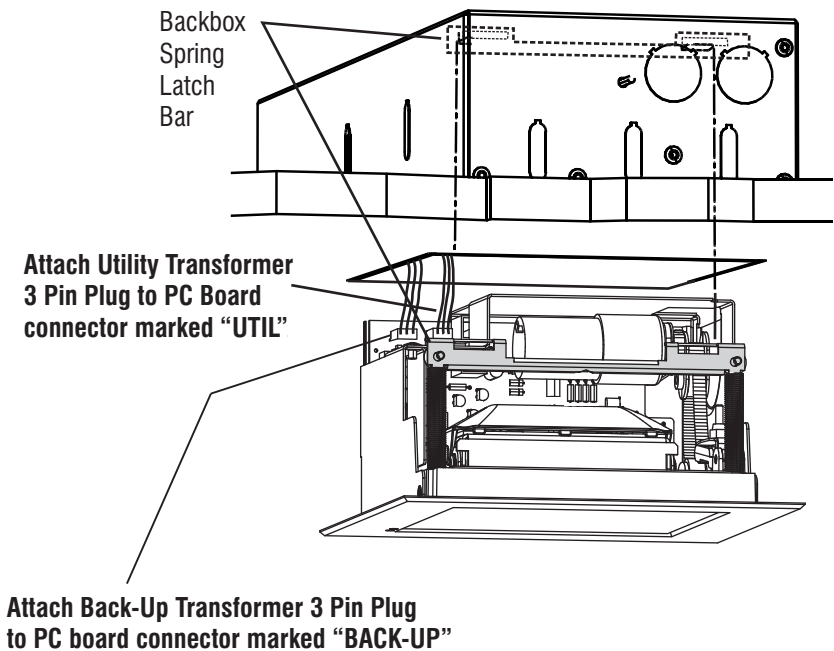
**DO NOT REAPPLY POWER
UNTIL FINAL SETUP**

INSTALL SPLICE BOX COVER

Feed both transformer secondary cables (with connectors) through hole in splice box cover and insert tabs into slots on the rear of the back box. Snap front tabs into slots on the top, front flange of the backbox.

LAMPHEAD INSTALLATION

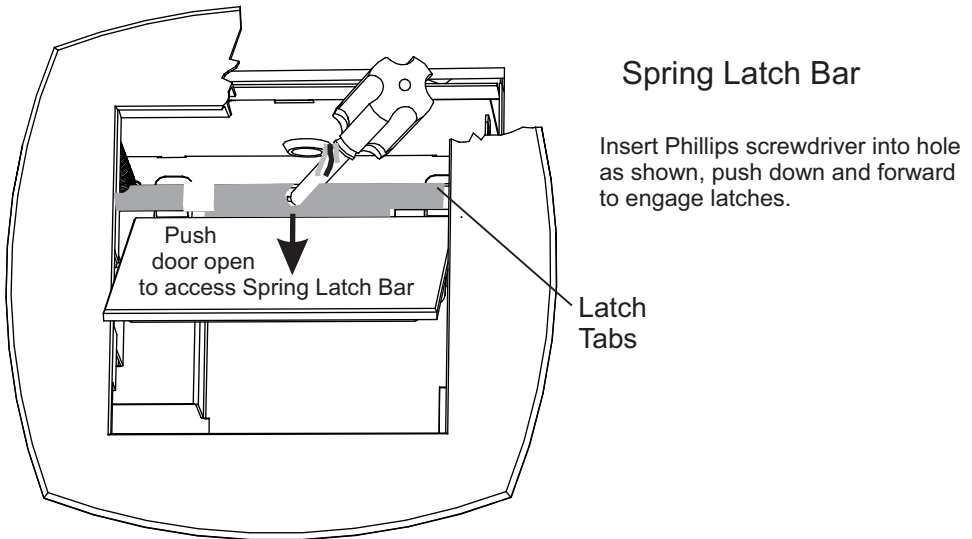
Connect both of the 3 pin Transformer Secondary Cables to specifically marked sockets on Printed Circuit Board.



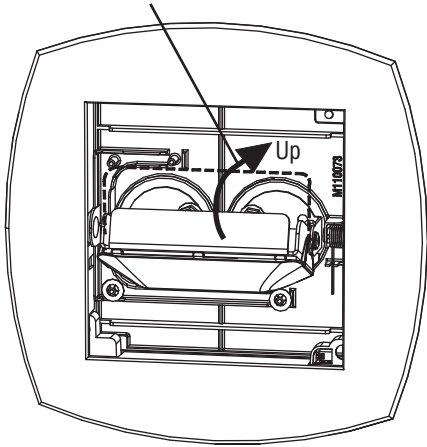
Install lamphead by first locating in place in Backbox opening.

With pivoting door held open, insert Phillips screwdriver tip into center hole in Spring Latch Bar, push down and forward to engage bar under two formed latch tabs in rear of Backbox.

Transformer secondary cables must be trapped behind Latch Bar to prevent interference with pivoting door.



Adjustable LED Assembly
Down position for Wall Mounting
Up position for Ceiling Mounting



UNIT WITH DOOR OPEN

LAMP ADJUSTMENT

This Fully Recessed Emergency Light has an adjustable LED assembly mounted on the moveable door. For wall mounting, the LED assembly should be aimed down towards the floor. For ceiling mounting, the LED assembly should be aimed straight out.

ON-SITE PAINTING

The door and frame have been factory painted. If a new finish is applied, extreme care should be taken that a seal is not formed between the door and frame, which may hinder the free operation of the door mechanism.

If the finish is sprayed on, we suggest that a thin cardboard or plastic strip be inserted between the door and frame to prevent a paint seal. The indicator light and test switch holes should also be masked.

After the new finish is applied, a sharp edge such as a single edge razor or utility knife should be inserted a maximum of 1/4 inch into the opening between the door and frame, and run around the door to ensure no seal is formed.

SETUP AND OPERATION

REAPPLY POWER AND NOTIFY THE AUTHORITY HAVING JURISDICTION.

MAINTENANCE

REMOVAL OF SPLICE BOX COVER - Splice Box Cover can be removed from backbox by prying forward the top, front flange of the backbox with a flat blade screwdriver.

CCEA APPROVAL - Approval for CCEA City of Chicago Environmental Airspace is available as a factory option.