

INSTALLATION INSTRUCTIONS

1. Attach pendant to the MAX canopy and use the three provided nuts to secure pendant above and below the plate.
2. Place the face stencil upside down. When installed it will appear right side up.

Figure 1

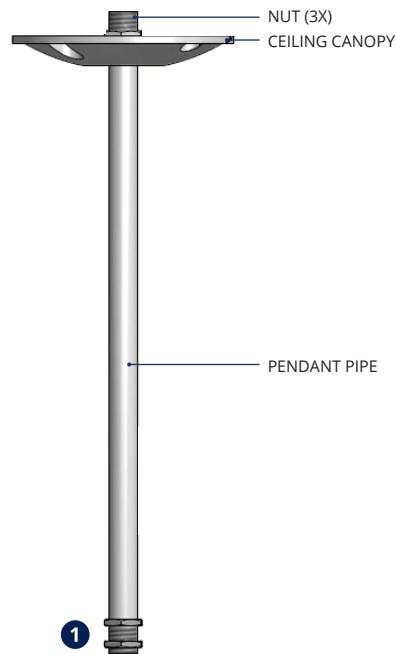
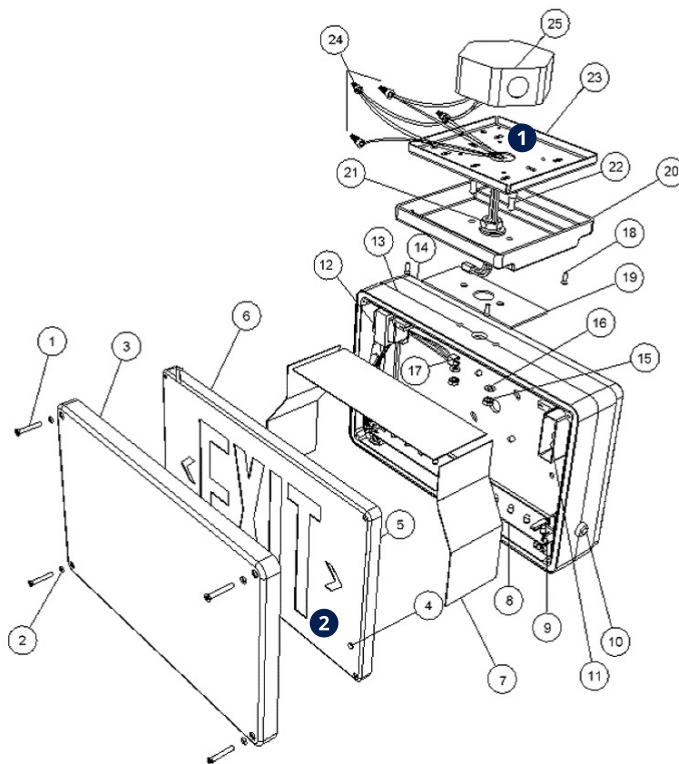


Figure 2



PARTS LIST	
1	Torx Tamper Proof Screw
2	O-Ring
3	Clear Face Cover
4	Pipe Light
5	Coloured Fibre
6	Black Stencil
7	White Strip
8	LED Board
9	LED Indicator
10	Test Switch
11	Battery
12	Transformer
13	Die-Cast Aluminum Frame
14	Back Plate
15	Canopy Nuts
16	Washer
17	Quick Connect Terminal
18	Mounting Base Screws
19	Canopy Gasket
20	Canopy
21	Wiring Module
22	Canopy Cap Screws
23	Canopy Mounting Base
24	Wiring Connection (Not Supplied)
25	Octagon Box (Not Supplied)