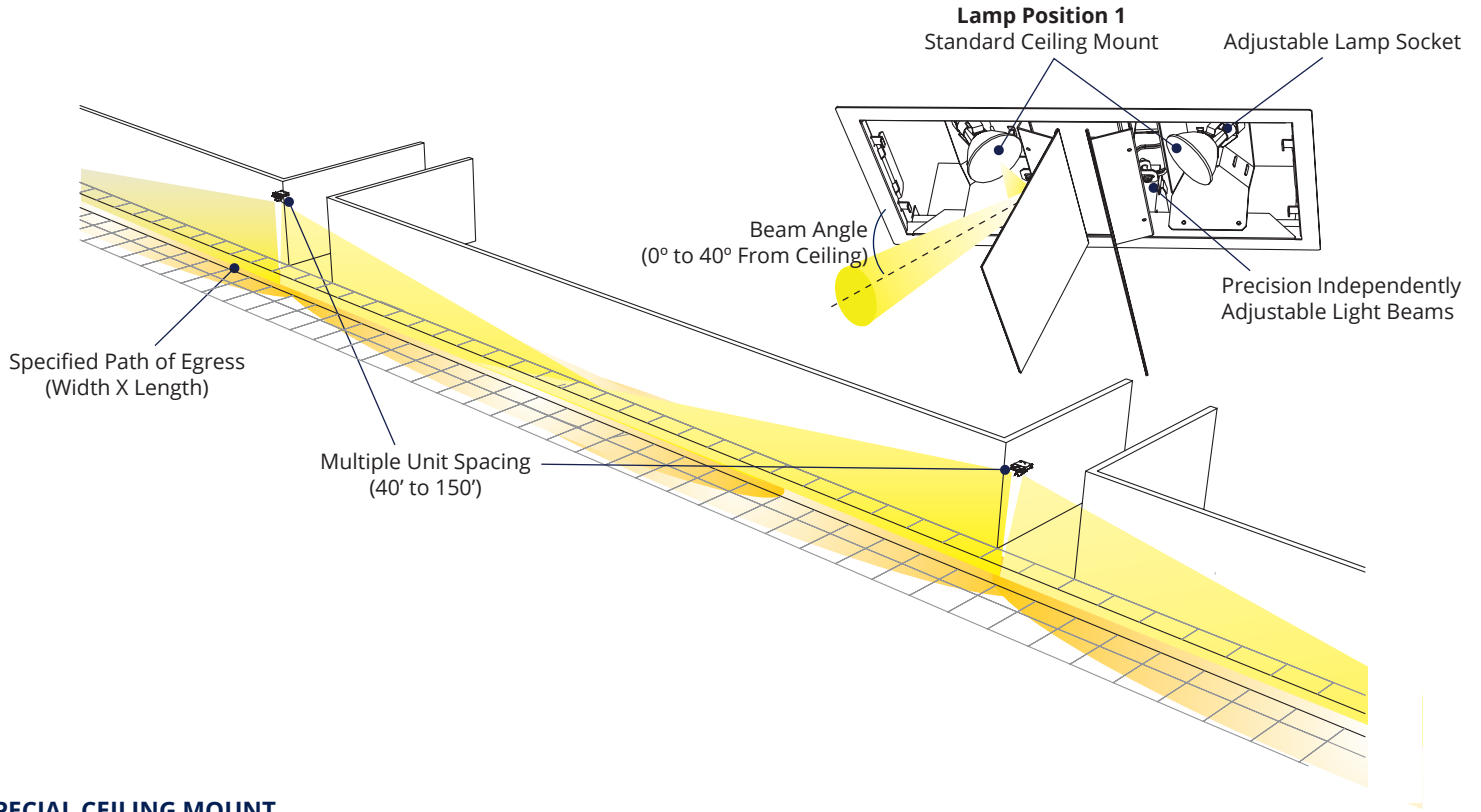
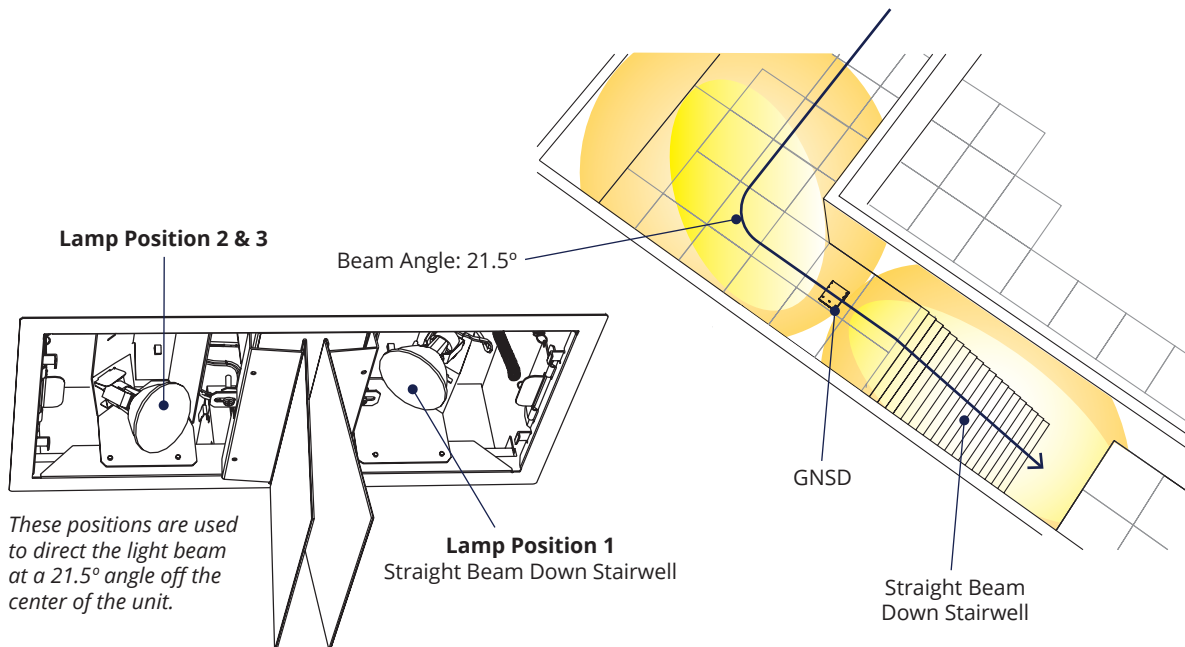


Compliance with the Life Safety Code NFPA 101, Section 7.9.2.1 necessitates uniform illuminance (1fc average, 0.1fc minimum) over a specified area, with a maximum 40:1 illuminance ratio. GNSD achieves this through matched reflected and direct illumination, adjusting light beams for precise coverage.

CEILING MOUNT



SPECIAL CEILING MOUNT



GNSD APPLICATION GUIDE

Compliance with the Life Safety Code NFPA 101, Section 7.9.2.1 necessitates uniform illuminance (1fc average, 0.1fc minimum) over a specified area, with a maximum 40:1 illuminance ratio. GNSD achieves this through matched reflected and direct illumination, adjusting light beams for precise coverage.

WALL MOUNT

