

EXP EM SERIES

INSTALLATION, OPERATION AND MAINTENANCE DATA SHEET

IMPORTANT SAFEGUARDS

When using electrical equipment, basic safety precautions should always be followed including the following:

DANGER - Do not install or service unless area is known to be nonhazardous. This Exit Sign has more than one power supply connection.

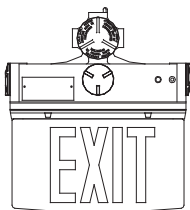
WARNING - Electrical Power must be turned off before and during installation and maintenance.

READ AND FOLLOW ALL SAFETY INSTRUCTIONS

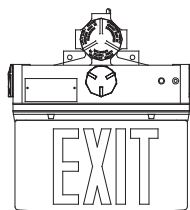
1. This fixture should be installed in strict accordance with the National Electrical Code and any local requirements.
2. This fixture should be mounted in locations and at heights where it will not readily be subjected to tampering by unauthorized personnel.
3. To prevent ignition of hazardous atmospheres, disconnect fixture from the supply circuit before opening. Keep tightly closed when in operation. When AC power is disconnected, the battery power will be live.
4. To reduce risk of fire or explosion, do not install where the marked operating temperature exceeds the ignition temperature of the hazardous atmosphere(s).
5. Do not mount near gas or electric heaters.
6. Do not let power supply cords touch hot surfaces.
7. Do not attempt to service the battery inside this fixture. This fixture incorporates a sealed, no maintenance battery that is not field replaceable. Contact **ISOLITE** for information on factory replacements.
8. The use of accessory equipment not recommended by the manufacturer may cause an unsafe condition.
9. Do not use this equipment for other than intended use.
10. **Installation and servicing of this fixture should be performed by qualified personnel.**

SAVE THESE INSTRUCTIONS

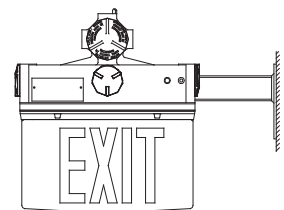
TYPICAL INSTALLATIONS



PENDANT MOUNT



WALL MOUNT



END BRACKET MOUNT

INSTALLATIONS

These fixtures are provided with 1/2" NPT hubs.

Pendant Mount

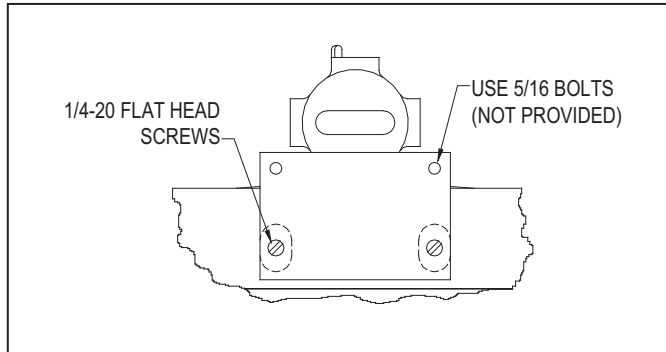
1. Loosen the set screw provided in the top hub.
2. Attach conduit to the top hub, making sure that at least five full threads are engaged and conduit is tight as per the requirements of the NEC.
3. Tighten set screw.

4. Remove junction box cover and pull supply wires into junction box. Attach Black lead for 120V or Orange lead for 277V, White lead for Neutral and Green lead for Ground. Replace junction box cover.

Wall Mount

1. Install Wall Mount Plate to the back of the fixture by means of two each 1/4-20 Flat Head screw provided. Flat Head screw must be securely fastened. Install the fixture to the wall by means of the Wall Mount Plate using two 5/16 in. Bolts (not provided).

2. Attach conduit to any of the three 1/2" NPT hubs on the fixture, making sure that at least five full threads

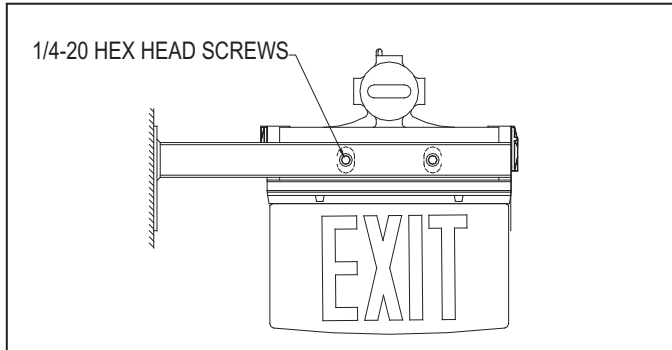


are engaged and conduit is tight as per the requirements of the NEC.

3. Remove junction box cover and pull supply wires into junction box. Attach Black lead for 120V or Orange lead for 277V, White lead for Neutral and Green lead for Ground. Replace junction box cover.

End Bracket Mount

1. Install End Bracket to wall using four 5/16 in. Bolts (not provided). Install fixture to the End Bracket using two each 1/4-20 Hex Head screws, lock washers and flat washer provided.



2. Attach conduit to hub on the fixture, making sure that at least five full threads are engaged and conduit is tight as per the requirements of the NEC.
3. Remove junction box cover and pull supply wires into junction box. Attach Black lead for 120V or Orange lead for 277V, White lead for Neutral and Green lead for Ground. Replace junction box cover.

MAINTENANCE

All maintenance procedures are to be performed only when the atmosphere surrounding the fixture is non-hazardous.

1. Visually inspect the Red LED marked "AC". It should be illuminated when AC power is on.
2. Test the emergency operation of the fixture once every 3 months. Exit Sign should illuminate under battery power when AC power is removed from the fixture.
3. Conduct a 90 minute discharge test once a year. Exit Sign should illuminate under battery power for at least 90 minutes when AC power is removed from the fixture.
4. Replace battery only with part # B31001 1.
5. This fixture contains sealed Ni-Cad batteries. Used Ni-Cad batteries may not be disposed of in the municipal solid waste Stream. Ni-Cad batteries must be recycled or disposed of properly. For information on local recycling drop off points, phone toll free 1-800-BATTERY.