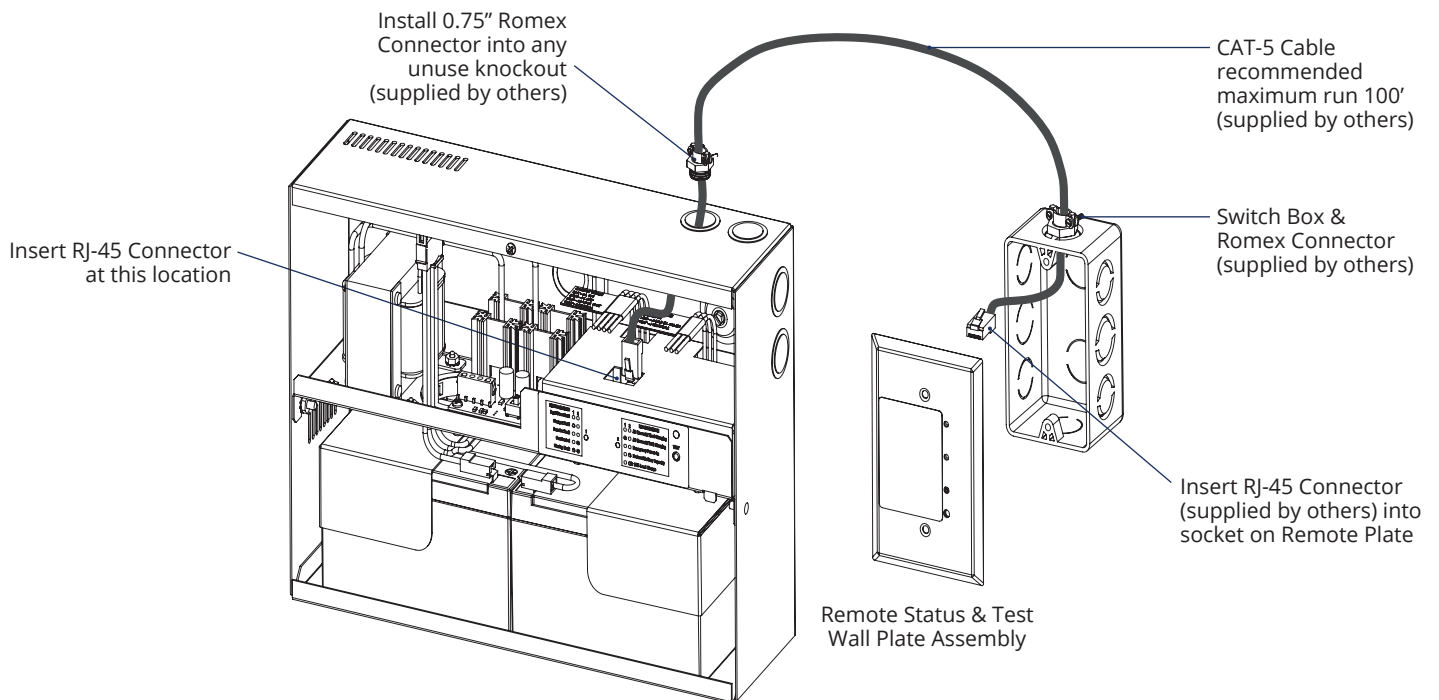


- Allows the user to fully monitor the status of the E3MINI Series pure sine wave inverter from a remote location.
- Full system status display, including infrared receiver, test buttons, self-diagnostic LED Indicators, buzzer and system status LED's
- Easy to read and distinguish from other equipment monitors
- Remote Test Monitor can be used with the TLRT infrared hand held remote option for ease of on demand testing.
- Remote display installs easily in a standard switch box.
- Quick interconnect from inverter to remote test panel with Cat. 5 cable (not provided).
- RJ 45 connection points provided on inverter and remote test display pc board.
- Remote Test Display can be mounted up to 50' from the inverter, consult factory for greater distances.
- Suitable for wall or ceiling mounting



## INVERTER REMOTE STATUS & TEST PANEL WIRING INSTRUCTIONS



**\*NOT INTENDED FOR NETWORK CONNECTION**

**NOTE:** RJ-45 / CAT-5 Cable is used for direct connection from inverter to remote display only.