



MIGN2

2nd Mini-Genie Fully Recessed Compact LED Emergency Light

DATE:	COMMENTS:
PROJECT:	

FEATURES

- Self contained emergency light that can be recessed into walls or ceilings.
- Compact, universal (wall or ceiling) back box is provided with fully adjustable mounting hardware to suit virtually any application.
- Universal back box can be pre-shipped for pre-installation at job-site.
- Fully automatic, compact rotating 4.0" soft closing door.
- Maintenance free, nickel metal hydride battery provides a 2 hour standard run time.
- Can be painted or wallpapered to seamlessly blend with architecture.
- Optional infrared hand-held remote control can be ordered separately.
- Modular assembly and quick connector wiring for easy installation.
- Utilizes a soft start, solid-state microprocessor control circuitry to support the uni-directional drive band motor (patent pending).
- Line latch prevents unnecessary discharge of battery during installation.
- Brownout sensing ensures emergency operation during periods of low line voltage.
- Low voltage cut-off prevents battery damage and ensures positive charge acceptance following an extended discharge.
- Self-diagnostics come standard on all units.
- 120/277 VAC with field selectable inputs.
- Two 4.5W LEDs with 814 lumen output total.
- LEDs provide an adjustable beam pattern that allows for 101' center-to-center spacing for ceiling mounted units and 93' center-to-center spacing on wall mounted units.
- Adequate for use in damp locations and is standard in all units.



CLICK THE IMAGE TO VIEW ALTERNATE PRODUCT PHOTOS
Only available with Adobe Acrobat and Acrobat Reader

ORDERING INFORMATION *MIGN2-CU-BK-MR-L*

1. SERIES	2. FRAME STYLE	3. FRAME COLOR	4. MOUNTING	5. LAMPS	6. OPTIONS
MIGN2	-	-	-	L	-
	CU Circular Trim SQ Square Trim	BK Black WH White CC Custom Color	MR Recessed Mount MRLB Recessed Mount ¹	L LED	BLANK = NO OPTION CP Chicago Plenum Listed TD Time Delay - 120/277 VAC (15 min)

ORDERING NOTES

- Must order MIGN2-ACCY-RBB separately

ACCESSORIES; ORDER SEPARATELY

- MIGN2-ACCY-RBB = Recessed Back Box for MIGN
- MIGN2-ACCY-RBB-CP = Recessed Back Box for MIGN (Chicago Listed)
- TLRT = Infrared Remote Control

SPECIFICATIONS

CONSTRUCTION

- Textured, white powder coated, die-cast zinc frame and door
- Spring latch lamp holders
- No external mounting hardware

ELECTRICAL

- Lamp Wattage: 4.5W per lamp

OVERALL SIZE

- Front Panel: 7.0" x 7.0"
- Rotating Door: 4.0" x 4.0"

BACK BOX SIZE

- 10.875" x 5.375"

ROUGH-IN SIZE

- 5.375" x 5.375"

WEIGHT

- 12 lbs

TEMPERATURE RATING

- From 50°F to 104°F

APPROVALS

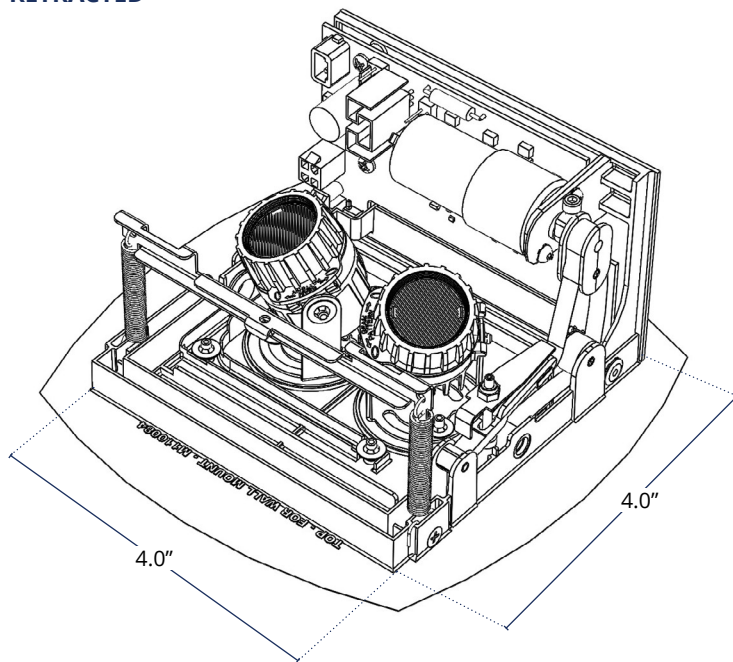
- UL 924
- New York City Approved Calendar #48850
- NFPA 101 Life Safety Code
- NFPA 70-NEC
- OSHA
- CEC Title 20 Compliant

WARRANTY

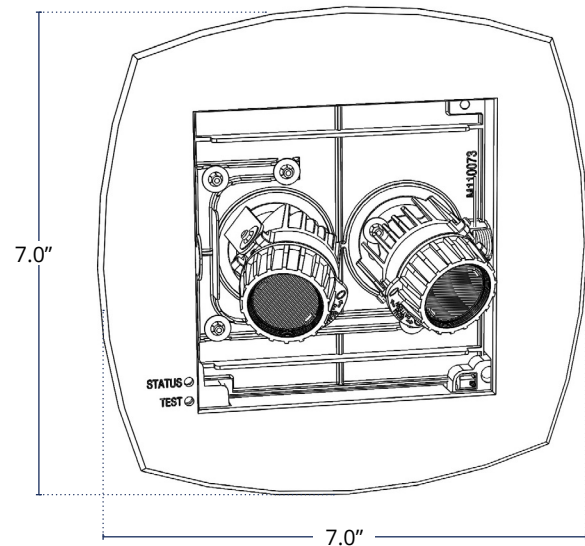
Isolite offers a 5-year limited warranty. For further details, refer to General Warranty and Obligations in the Isolite manual or on our website. Lamps not warranted.

DIMENSIONS

RETRACTED



EXTENDED

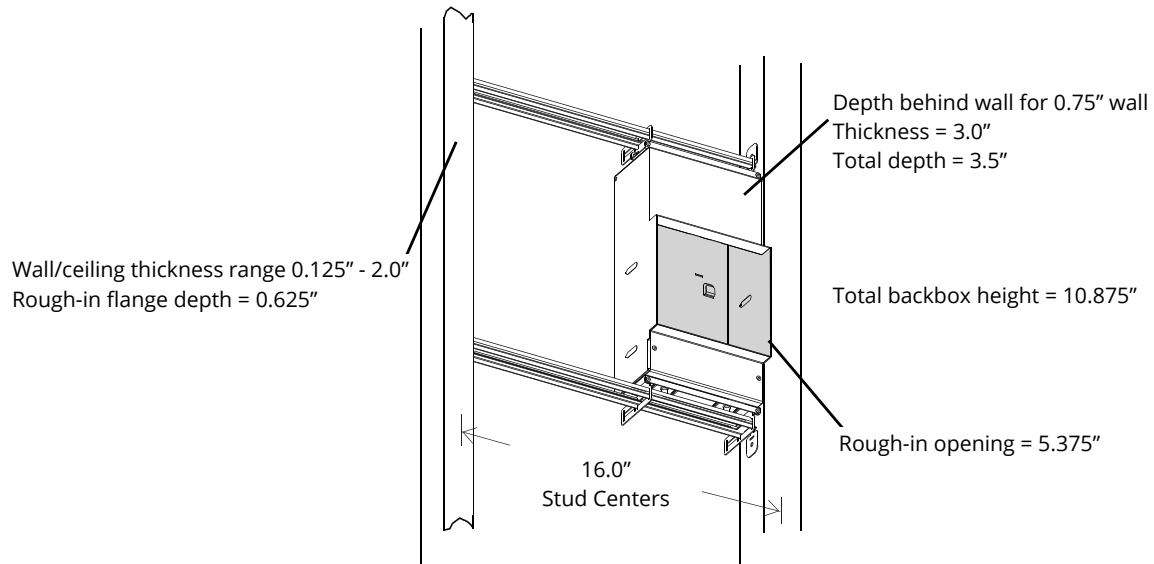


SPACING CHART

CEILING		
CEILING HEIGHT (FT)	VERTICAL AIMING ANGLE (DEGREES)	UNIT SPACING (MULTIPLE UNITS)
8	65	101'
9	61	101'
10	56	100'
12	49	98'
14	43	95'

WALL MOUNT (ANGLE AWAY FROM WALL BY 2°)			
CEILING HEIGHT (FT)	UNIT/LAMP HEIGHT (FT)	VERTICAL AIMING ANGLE (DEGREES)	UNIT SPACING (MULTIPLE UNITS)
9	7	67	93'
10	8	62	93'
12	10	54	93'
14	12	46	91'
16	14	40	89'

WALL MOUNT



CEILING MOUNT

