



# LPDCCG

Die-Cast Aluminum LED Exit Sign, Custom Graphics

DATE:	COMMENTS:
PROJECT:	

## FEATURES

- Illumination 4 times brighter than UL 924 requirement with super-bright, long-life LEDs that have a 25+ year life expectancy.
- Premium long-life, high-temperature fused nickel cadmium battery with above standard UL listed 4 hour run-time.
- Standard battery diagnostic system monitors battery status, detects cell failure, and issues an alert when there's reduced capacity, indicating the need to replace the battery.
- Line-latch prevents unnecessary discharge of battery during installation. Loads will not illuminate until after application of utility power.
- Special wording and/or custom graphics available with white LEDs upon request.
- Brownout detection ensures emergency operation during periods of low line voltage.
- Sealed external momentary test switch and dual diagnostic LED indicator displays AC presence and Hi-Charge status.
- Self-Test/Self-Diagnostic monitoring available.
- Zero current low-voltage disconnect used to prevent battery from being overly discharged.
- Unique, electronic driver circuit provides current control and protection, ensuring optimum LED efficiency and life with specialty finish upon request.
- 120/277 VAC with field selectable inputs (with the exception of the C1/C2 (Dual Circuit) option which requires voltage specification upon ordering).
- Fine grain brushed aluminum stencil trim standard with specialty finish upon request.



CLICK THE IMAGE TO VIEW ALTERNATE PRODUCT PHOTOS  
Only available with Adobe Acrobat and Acrobat Reader

## ORDERING INFORMATION LPDCCG-AC-G-BK-1-BA-BA-MB

1. SERIES	2. OPERATION	3. ILLUMINATION	4. BACKGROUND COLOR	5. FACE COUNT
LPDCCG	-	-	-	-
	AC AC Only EM Ni-Cad Battery Backup	G Green R Red W White BL Blue	BL Blue Background BK Black WH White Background CC Custom Color	1 Single 2 Double

## 5. FACE & FRAME COLOR

BA-BA	All Brushed Aluminum
BA-BK	Brushed Aluminum Face / Black Body
BA-WH	Brushed Aluminum Face / White Body
BK-BK	All Black
WH-WH	All White
CC	Custom Color

## 6. MOUNTING

MB	Back Mount	MPB	24" Pendant Mount
MRW	Recessed Wall	MPC	36" Pendant Mount
MRWLB	Recessed Wall, Less Back box	MPD	48" Pendant Mount
MPA	12" Pendant Mount	MTEB	Top/End/Back Mount

## 7. OPTIONS

### BLANK = NO OPTION

C1	Dual Circuit - 120 VAC (AC Only)	CW01	X-Ray In Use	FA	Fire Alarm Interface
C2	Dual Circuit - 277 VAC (AC Only)	CW02	In Use	FAA	FA Option w/ Audible Alarm
SD	Self-Diagnostics (EM Only)	CW03	Area of Refuge	FL	Flasher
SR	Self-Diagnostics + IR Remote Testing Receiver (EM Only)	CW04	Laser in Use	FLA	Flasher/Audible Alarm
CW	Custom Wording	CW06	Beam On	LD	Damp Location
		CW26	Area of Rescue Assistance	VR	1/8" Vandal Resistant Lens (Includes TP)

## ACCESSORIES ON BACK

**ACCESSORIES; ORDER SEPARATELY**

- **WG-16.5LX14.0WX3.0D** = Wireguard, Length: 16.5", Width: 14", Depth: 3"
- **WG-16.5LX14.0WX6.0D** = Wireguard, Length: 16.5", Width: 14", Depth: 6"
- **WG-20.0LX19.0WX9.0D** = Wireguard, Length: 20", Width: 19", Depth: 9"
- **WG-26.0LX19.0WX9.0D** = Wireguard, Length: 26", Width: 19", Depth: 9"
- **LPDC-ACCY-RBB** = Recessed Backbox for LPDC
- **TLRT** = Infrared Remote Control

**SPECIFICATIONS**

**CONSTRUCTION**

- Injection molded internal cavity reflector provides ease of installation and maintenance together with perfectly even legend illumination.
- Heavy-duty, two piece, die-cast aluminum alloy walls.
- Removable, front stencil face with overlapping light seal.
- Hidden knock-out access points and universal pattern.
- Optional recess frame, polycarbonate face shield with tamper proof access screws, and pendant & specialty mounts.

**LETTERS**

- 6.0" high; 0.75" stroke

**INPUT POWER**

- AC models: Red 1.5W; Green 2.3W
- EM models: Red 2.5W; Green 3.0W
- EM w/Remote: Red 3.0W; Green 4.0

**CANOPY SIZE**

- 4.75" x 4.75" x 0.75"

**WEIGHT**

- AC: 4.5 lbs
- EM: 5.25 lbs

**TEMPERATURE RATING**

- From 32°F to 102°F

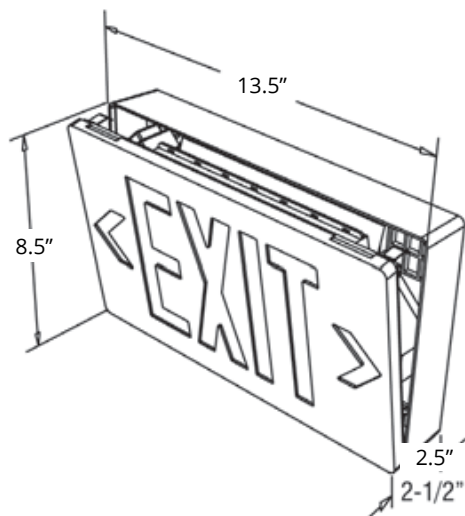
**APPROVALS**

- UL 924
- CEC Title 20 Compliant
- NFPA 101 Life Safety Code
- NFPA 70-NEC
- OSHA

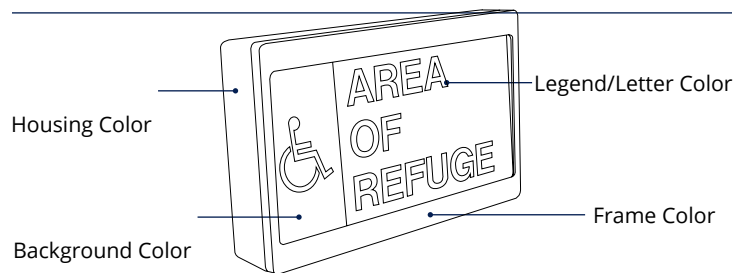
**WARRANTY**

Isolite offers a 5-year limited warranty. For further details, refer to General Warranty and Obligations in the Isolite manual or on our website.

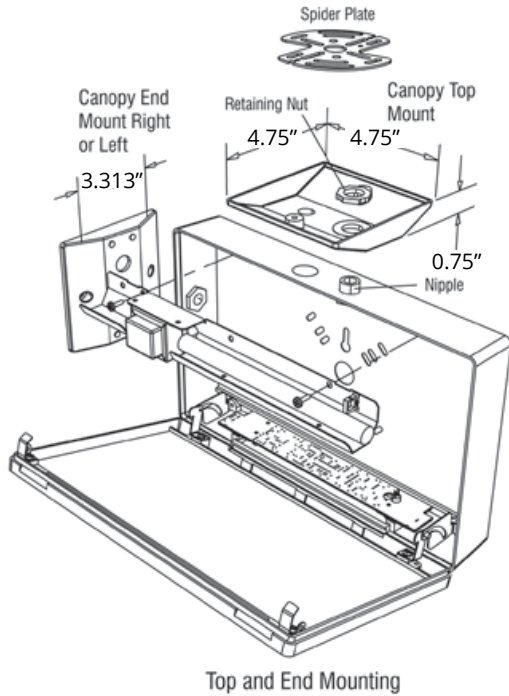
**DIMENSIONS**



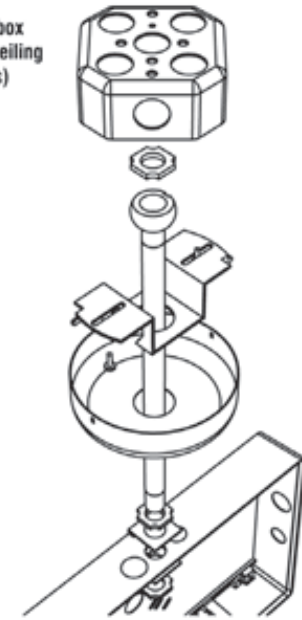
**NOMENCLATURE**



**MOUNTING**



Octagon junction box  
(recessed in the ceiling  
supplied by others)



Swivel Pendant Mounting

**CUSTOM GRAPHICS**

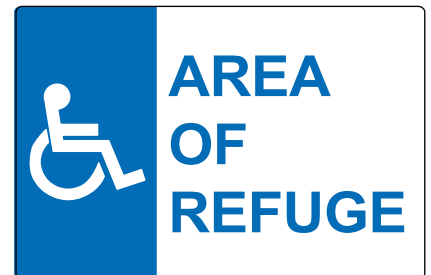
CW01



CW02



CW03



CW04



CW06



CW26

