



LMIGN2

LED Compact Fully Recessed Emergency Light

DATE: [REDACTED]	COMMENTS: [REDACTED]
PROJECT [REDACTED]	

FEATURES

- Fully self-contained emergency light able to be recessed into walls or ceilings.
- Compact, universal (wall or ceiling) back box provided with fully adjustable mounting hardware to suit virtually any application.
- Recessed back box can be pre-shipped for pre-installation at job-site.
- Compact rotating 4.0" soft closing door.
- UL listed for a minimum run-time of 90 minutes.
- California Energy Commission (CEC) Title 20 Compliant.
- Can be painted or wall-papered to seamlessly blend with architecture.
- Optional infrared, hand-held remote control testing can be ordered separately.
- Modular assembly and quick connector wiring for easy installation.
- Utilizes a solid-state microprocessor control circuitry to support the uni-directional drive band motor (patent pending).
- Line latch prevents unnecessary discharge of battery during installation.
- Brownout sensing ensures emergency operation during periods of low line voltage.
- Low voltage cut-off prevents battery damage and ensures positive charge acceptance following an extended discharge.
- Fully automatic operation.
- Self diagnostics come standard on all units.
- 120/277 VAC with field selectable inputs.
- Three 4W LEDs with 561 lumen output and a color temperature of 5,000K.



CLICK THE IMAGE TO VIEW ALTERNATE PRODUCT PHOTOS
Only available with Adobe Acrobat and Acrobat Reader

ORDERING INFORMATION *LMIGN2-AC-CU-WH-MRLB*

1. SERIES	2. OPERATION	3. FRAME STYLE	4. FRAME COLOR	5. MOUNTING
LMIGN2	-	-	-	-
	AC AC Only EM Battery Backup	CU Circular Trim SQ Square Trim	WH White BK Black CC Custom Color	MRLB Recessed Mount, Less Back Box ¹ MR Recessed Mount

6. OPTIONS

BLANK = NO OPTION

- LD Damp Location
- TD Time Delay - 120/277 VAC (15 min)
- CP Chicago Plenum Listed
- EEW Extended Electronics Warranty

ORDERING NOTES

1. Must order LMIGN2-ACCY-RBB

ACCESSORIES; ORDER SEPARATELY

- **LMIGN2-ACCY-RBB** = Recessed Back Box for LMIGN2
- **LMIGN2-ACCY-RBB-CP** = Recessed Back Box for LMIGN2 (Chicago Listed)
- **TLRT** = Infrared Remote Control

SPECIFICATIONS

CONSTRUCTION

- Textured, white powder coated, die-cast zinc frame and door
- Spring latch lamp holders
- No external mounting hardware

OVERALL SIZE

- Front Panel: 7.0" x 7.0"
- Rotating Door: 4.0" x 4.0"

WATTAGE RATINGS

- AC: 18W (Backup Input) / 2W (Utility Input)
- EM: 10W

MOUNTING

- 5.375" x 10.875"

ROUGH-IN SIZE

- 5.375" X 5.375"

WEIGHT

- 12 lbs

TEMPERATURE RATING

- 32°F to 102°F

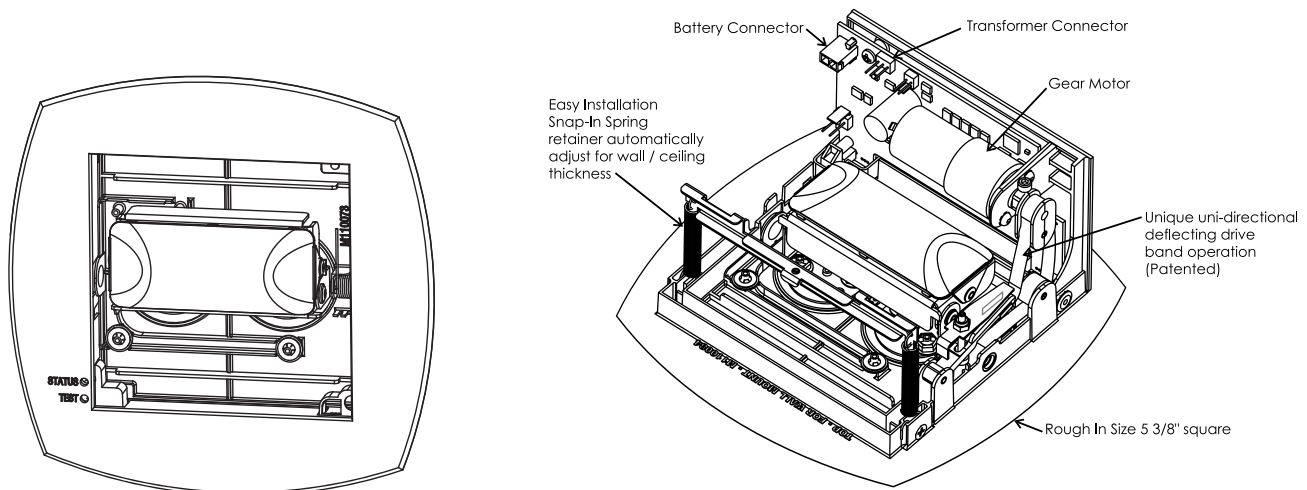
APPROVALS

- UL 924
- NY City approved calendar #48850
- NFPA 101 Life Safety Code
- NFPA 70-NEC
- OSHA
- CEC Title 20 Compliant

WARRANTY

Isolite offers a 3-year limited warranty. For further details, refer to General Warranty and Obligations in the Isolite manual or on our website. Lamps not warranted.

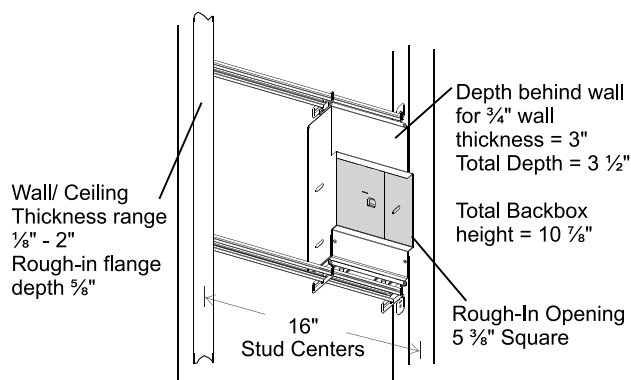
DIMENSIONS



Lamphead - Rear View

MOUNTING

WALL MOUNT



CEILING MOUNT

