

DATE:	COMMENTS:
PROJECT:	

FEATURES

- NEMA 4X and IP66 rated for use in wet and damp applications.
- Designed to stand up to abuse in applications such as schools, institutions, public areas, and apartment complexes where vandalism may occur.
- Fully adjustable MR16 lamps with LED options.
- Sealed External Momentary test switch and dual diagnostic LED indicator display AC presence and Hi-Charge status.
- Stainless steel tamper proof screws.
- Self-Test/Self-Diagnostic monitoring is available.
- Low voltage cut-off prevents battery damage and ensures positive charge acceptance following an extended discharge.
- Maintenance-free nickel cadmium battery provides 90 minutes of emergency run time.
- Line-latch prevents unnecessary discharge of battery during installation. Loads will not illuminate until after application of utility power.
- Short circuit battery protection is standard in all units.
- Brownout detection ensures emergency operation during periods of low line voltage.
- 120/277 VAC field selectable inputs, except for the internal heater (H1 and H2) option and infrared testing (SR1 and SR2) which requires voltage specification upon ordering.



CLICK THE IMAGE TO VIEW ALTERNATE PRODUCT PHOTOS
Only available with Adobe Acrobat and Acrobat Reader

ORDERING INFORMATION *HZN-LC-12V36W-MBC-L125*

1. SERIES	2. BATTERY TYPE	3. OPERATION		
HZN	-	-		
	LC Lead Calcium Battery Backup	6V18W 6 Volts, 18 Watts 6V27W 6 Volts, 27 Watts 6V36W 6 Volts, 36 Watts	6V60W 6 Volts, 60 Watts 12V27W 12 Volts, 27 Watts 12V36W 12 Volts, 36 Watts	12V60W 12 Volts, 60 Watts
	NC Ni-Cad Battery Backup	6V22W 6 Volts, 22 Watts	6V42W 6 Volts, 42 Watts	12V42W 12 Volts, 42 Watts
4. MOUNTING	5. LAMP SOURCE ¹	6. OPTIONS		
MBC	-	-		
MBC Back/Ceiling Mount	L65 LED 6V 5W L67 LED 6V 7W L122 LED 12V 2W L125 LED 12V 5W L127 LED 12V 7W	BLANK = NO OPTION SD Self-Diagnostics SR1 Self-Diagnostics + IR Remote Testing Receiver (120 VAC) SR2 Self-Diagnostics + IR Remote Testing Receiver (277 VAC) H1 Internal Heater - 120 VAC		H2 Internal Heater - 277 VAC AA Audible Alarm (Buzzer) FA Fire Alarm Interface TD Time Delay - 120/277 VAC (15 min.) ²

ORDERING NOTES

1. Additional lamp options may be available, please contact Quotes@isolite.com if non-LED lamps are required.
2. SD options must be selected.

ACCESSORIES; ORDER SEPARATELY

- **WG-20.0LX19.0WX9.0D** = Wireguard, Length: 20", Width: 19", Depth: 9"
- **WG-26.0LX19.0WX9.0D** = Wireguard, Length: 26", Width: 19", Depth: 9"
- **TLRT-IND** = Infrared Remote Control for Industrial Products


SPECIFICATIONS
CONSTRUCTION

- Fully gasketed, die-cast aluminum housing with impact resistant polycarbonate lens
- Stainless steel mounting feet and hardware
- Industrial gray color standard

TEMPERATURE RATING

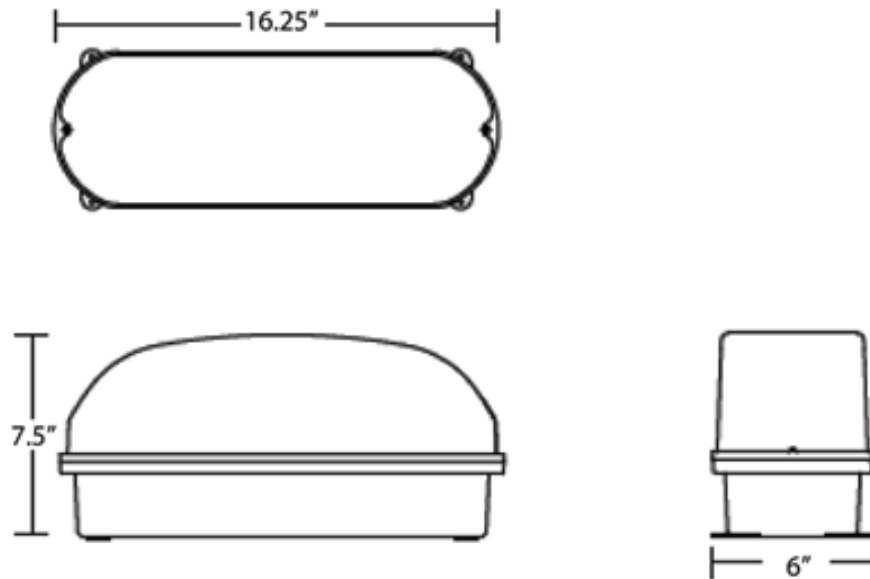
- Without Internal Heater: From 50°F to 104°F
- With Internal Heater: From -4°F to 104°F

APPROVALS

- NEMA 4X
- IP66
- Intertek Verified Splash Zone
- CSA-US listed
- Meets or exceeds UL 924 Standards
- NFPA 101 Life Safety Code
- NFPA 70-NEC
- OSHA
- BAA Compliant

WARRANTY

Isolite offers a 3-year limited warranty. For further details, refer to General Warranty and Obligations in the Isolite manual or on our website. Lamps not warranted.

DIMENSIONS

LAMP SPACING

UNIT SPACING - 9 FT MOUNTING HEIGHT	
LAMP WATTAGE	SPACING (MULTIPLE UNITS)
2W	50'
5W	60'
7W	100'