

DATE:	COMMENTS:
PROJECT:	

FEATURES

- Spec grade with a universal surface mount option for simplified installation.
- Premium long-life, high-temperature fused nickel cadmium battery with standard UL listed 3-hour run time.
- Standard battery diagnostic system monitors battery status, detects cell failure, and issues an alert when there's reduced capacity, indicating the need to replace the battery.
- Line-latch prevents unnecessary discharge of battery during installation. Loads will not illuminate until after application of utility power.
- Specialty wording, finish, and custom graphics available with white LEDs upon request.
- Low profile recessed housing is suitable for old or new work installations and is IC rated.
- Brownout detection ensures emergency operation during periods of low line voltage.
- Sealed external momentary test switch and dual diagnostic LED indicator displays
- AC presence and Hi-Charge status.
- Self-Test / Self-Diagnostic monitoring available.
- Zero current low-voltage disconnect used to prevent battery from being overly discharged.
- Slimline, low profile surface mount housing eliminates need for recessed box in wall mount applications.
- Unique electronic driver circuit provides current control and protection, ensuring optimum LED efficiency and life.
- 120/277 VAC with field selectable inputs (with the exception of the dual-circuit option which requires voltage specification upon ordering).



CLICK THE IMAGE TO VIEW ALTERNATE PRODUCT PHOTOS
Only available with Adobe Acrobat and Acrobat Reader

ORDERING INFORMATION *ELTCG2-AC-G-1C-AG-BA-MB*

1. SERIES	2. OPERATION	3. LETTER COLOR	4. FACE COUNT	5. FRAME STYLE	6. FRAME COLOR
ELTCG2	-	-	-	-	-
	AC AC Only EM Ni-Cad Battery Backup	R Red G Green B Blue WH White LC Custom Letter Color	1C Single Face, Clear Background 1M Single Face, Mirror Background 1W Single Face, White Background 2M Double Face, Mirror Background 2W Double Face, White Background	AG Angular Trim FT Flat Trim ¹ <i>1. Only available with recessed mount.</i>	BA Brushed Aluminum BK Black BR Painted Brass WH White CC Custom Color

7. MOUNTING

MRC Recessed Ceiling Mount	MPD 48" Pendant Mount
MT Top Mount	MPE 60" Pendant Mount
MB Back Mount	MTEB Top / End / Back Mount
ME End Mount / Side Mount	MMT Mullion Mount Top
MPA 12" Pendant Mount	MMB Mullion Mount Bottom
MPB 24" Pendant Mount	MRCLB Recessed Ceiling Mount, Preship Backbox ²
MPC 36" Pendant Mount	

8. OPTIONS

BLANK = NO OPTION	FA Fire Alarm Interface
CX Dual Circuit - Universal Voltage	FLA Flasher / Audible Alarm
SD Self-Diagnostics (EM Only)	FAA FA Option w/Audible Alarm
SR Self-Diagnostics + IR Remote Testing Receiver (EM Only)	DL Damp Location Listed
VF Other Input Voltage (Indicate Volt & Frequency)	OW Old Work Clips ¹
FL Flasher	

9. GRAPHICS / IMAGE

0-33 Pre-Defined Option³

ORDERING NOTES

1. Only available with recessed mount
2. Must Order ELTCG2-ACCY-RBB with MRCLB option
3. See last page for Pre-Defined Option examples
4. No chevrons included

ACCESSORIES ON BACK

ACCESSORIES; ORDER SEPARATELY

- **ELTCG2-ACCY-RBB** = Recessed Backbox for ELTCG2
- **TLRT** = Handheld Remote Control Test Unit, used with SR option
- **WG-20.0LX19.0WX9.0D** = Wireguard, Length: 20", Width: 19", Depth: 9"
- **WG-26.0LX19.0WX9.0D** = Wireguard, Length: 26", Width: 19", Depth: 9"

CONSTRUCTION

- "Snap-in Lens" for easy installation.
- Recessed back box can be pre-installed at job site
- Precision die-cast aluminum housing with a flawless, laser-formed acrylic legend
- Hinged springs allow for concealed mounting hardware on recessed models
- Recessed back box meets New York specifications

INPUT POWER

- AC models: Red 1.5W; Green 2.3W
- EM models: Red 2.5W; Green 3.0W

LETTERS

- 6.0" high; 0.75" stroke

WEIGHT

- Back Wall/Ceiling/End/Mullion Mount: 9 lbs
- Recessed Ceiling: 8 lbs
- Back Box: 4 lbs

TEMPERATURE RATING

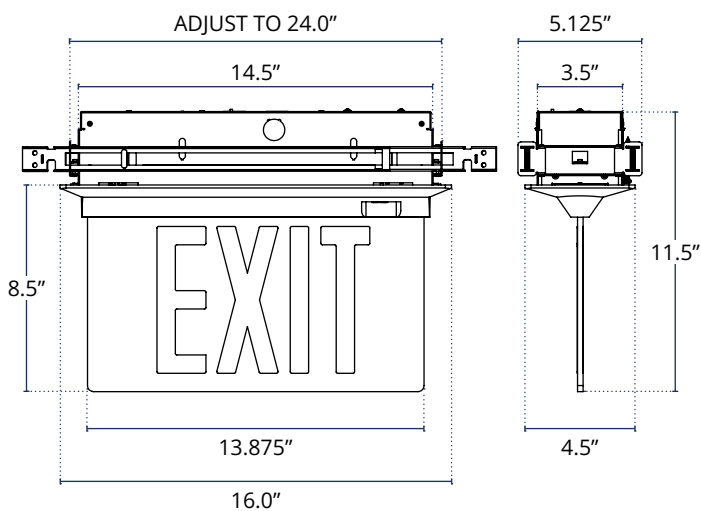
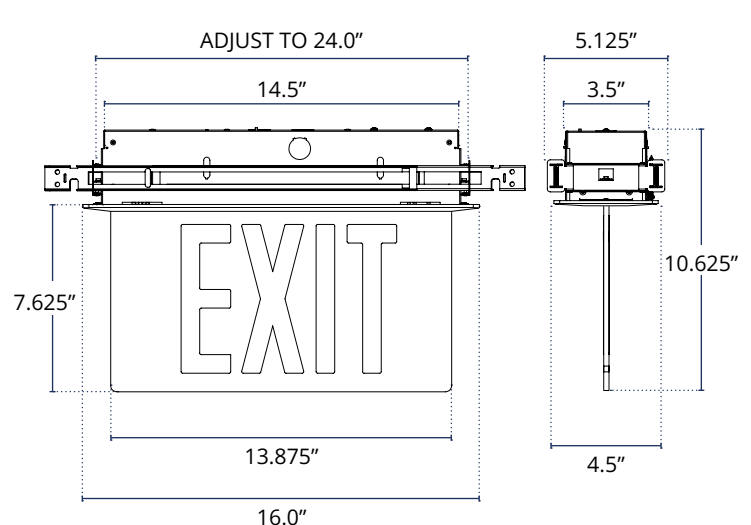
- From 32°F to 102°F

APPROVALS

- UL 924
- CEC Title 20
- NFPA 101
- NFPA 70
- OSHA
- Backbox is IC rated and meets NYC and City of Chicago Specifications
- FCC Title 47 Part 15, Subpart B

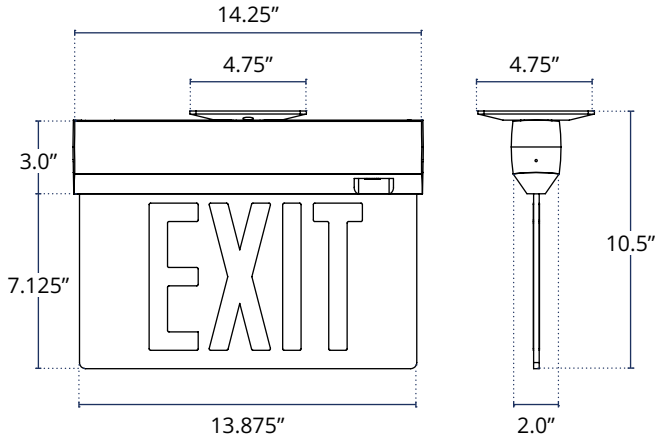
WARRANTY

- Isolite offers a 5-year limited warranty. For further details, refer to General Warranty and Obligations in the Isolite manual or on our website.

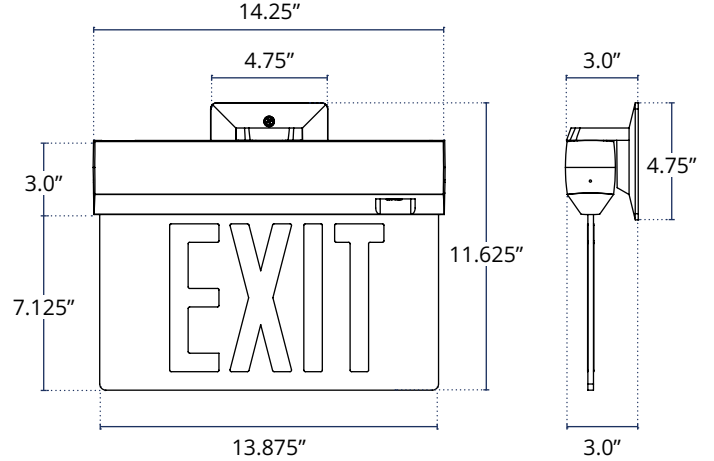
DIMENSIONS
ANGLED TRIM RECESSED CEILING MOUNT

FLAT TRIM RECESSED CEILING MOUNT


DIMENSIONS (CONTINUED)

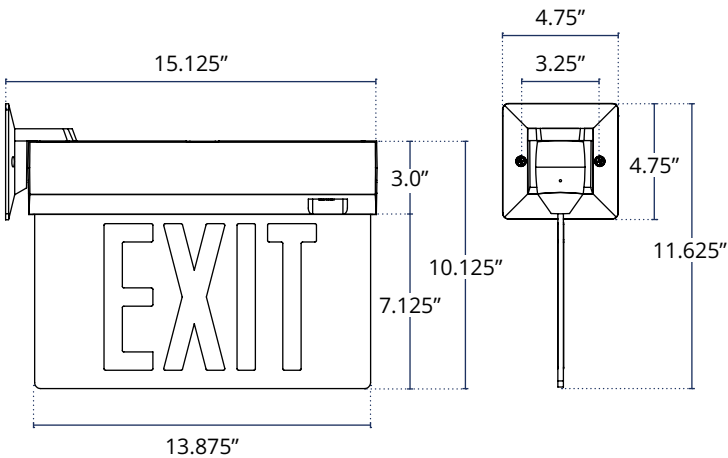
TOP MOUNT



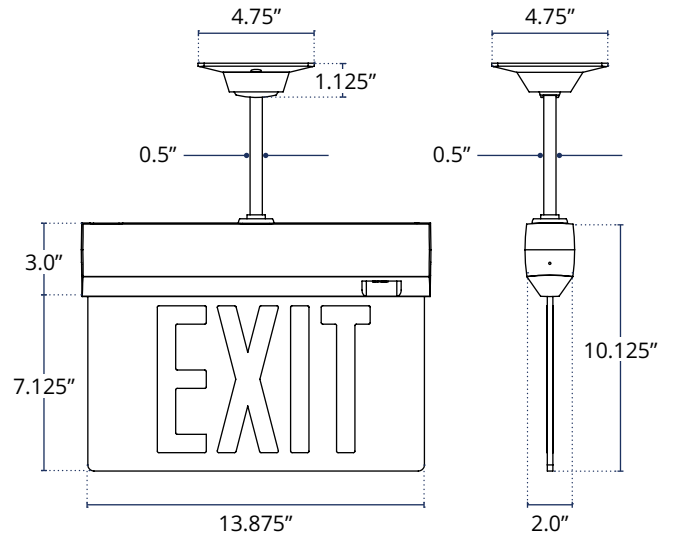
BACK MOUNT



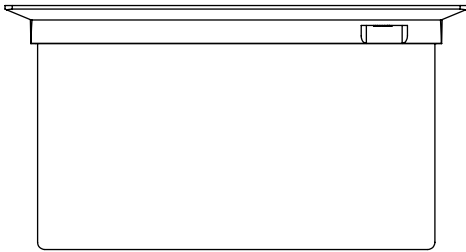
END / SIDE MOUNT



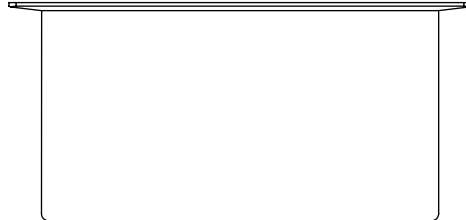
PENDANT MOUNT



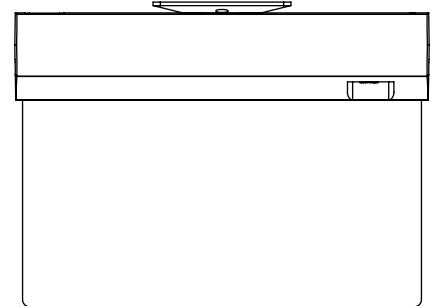
MOUNTING CONFIGURATION



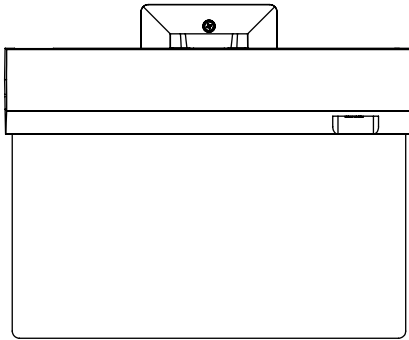
Angled Trim Mount
(Recessed Only)



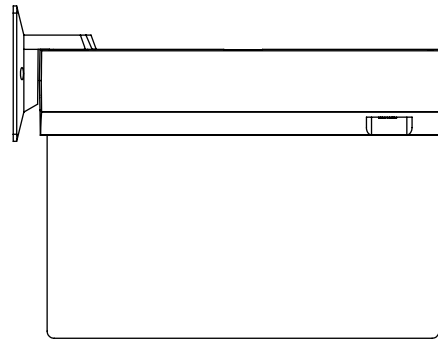
Flat Trim Mount
(Recessed Only)



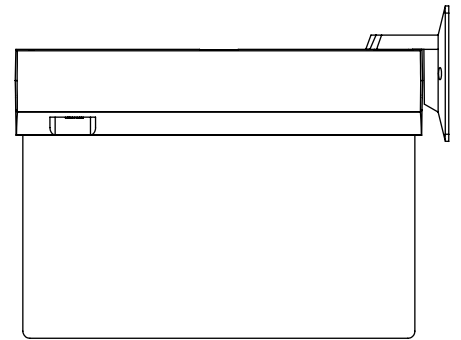
Top Mount
(Surface Only)



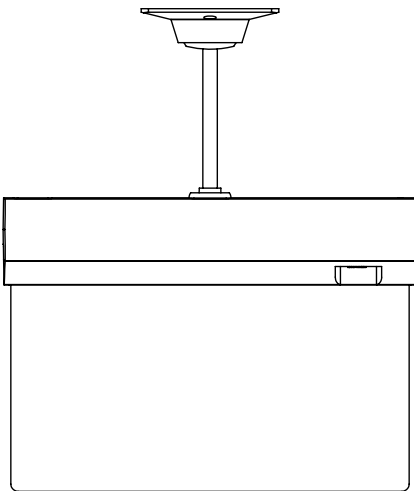
Back Mount
(Surface Only)



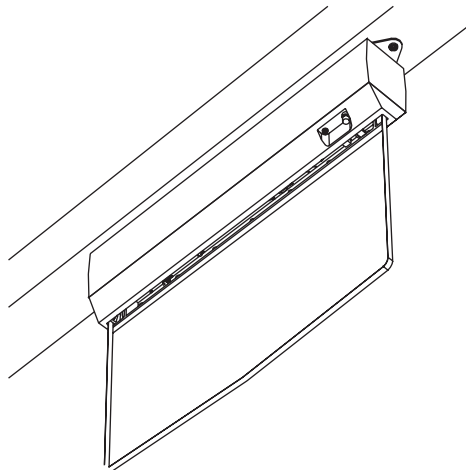
End/Side Mount - Left
(Surface Only)



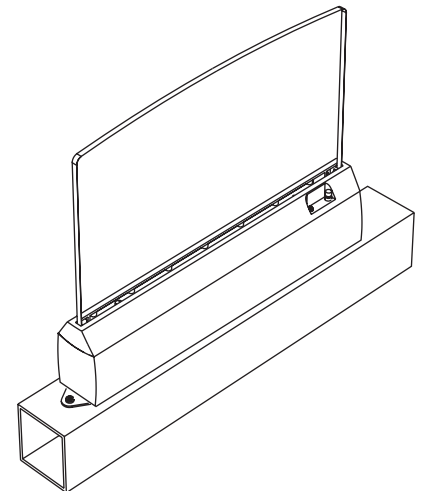
End/Side Mount - Right
(Surface Only)



Pendant Mount



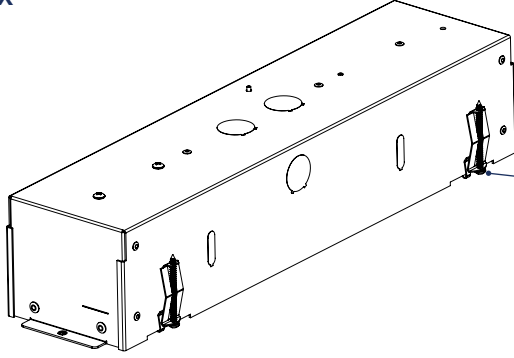
Mullion Mount Top
(MMT)



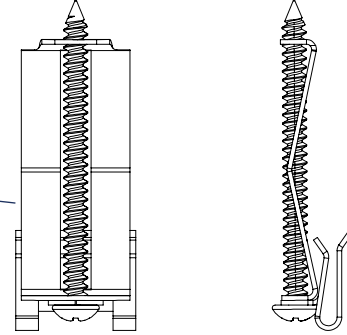
Mullion Mount Bottom
(MMB)

OLD WORK CLIPS (OW)

BACK BOX



BACK BOX CLIPS



OLD TO NEW PANEL REPLACEMENT FOR ELTCG

FROM	TO									
	ELTCG 1C	ELTCG 1M	ELTCG 1W	ELTCG 2M	ELTCG 2W	ELTCG2 1C	ELTCG2 1M	ELTCG2 1W	ELTCG2 2M	ELTCG2 2W
ELTCG 1C		No	No	No	No	Yes	Yes	Yes	Yes	Yes
ELTCG 1M	No		Yes	Yes	Yes	No	No	No	No	No
ELTCG 1W	No	Yes		Yes	Yes	No	No	No	No	No
ELTCG 2M	No	Yes	Yes		Yes	No	No	No	No	No
ELTCG 2W	No	Yes	Yes	Yes		No	No	No	No	No
ELTCG2 1C	Yes	No	No	No	No		Yes	Yes	Yes	Yes
ELTCG2 1M	Yes	No	No	No	No	Yes		Yes	Yes	Yes
ELTCG2 1W	Yes	No	No	No	No	Yes	Yes		Yes	Yes
ELTCG2 2M	Yes	No	No	No	No	Yes	Yes	Yes		Yes
ELTCG2 2W	Yes	No	No	No	No	Yes	Yes	Yes	Yes	

ELTCG2 MOUNTING REPLACEMENTS

FROM	SURFACE BACK/WALL	SURFACE TOP/CEILING	SURFACE END/FLAG	NOTES
SURFACE BACK/WALL		Yes	Yes	Remove gooseneck from canopy to ceiling mount
SURFACE TOP/CEILING	No		No	Requires gooseneck kit
SURFACE END/FLAG	Yes	Yes		Remove gooseneck from canopy to ceiling mount

CUSTOM GRAPHICS

01 	02 	03 	04 	05
06 	07 	08 	09 	10
11 	12 	13 	14 	15
16 	17 	18 	19 	20
21 	22 	23 	24 	25
26 	27 	28 	29 	30
31 	32 	33 	<p>NOTE For signs requiring directional indicators, select C custom letter and specify graphic with chevron direction.</p>	