



BUG

High Performance LED Emergency Light

DATE:

PROJECT

COMMENTS:

FEATURES

- CEC Title 20 Compliant.
- BUG3: Two adjustable lamp heads with (3) 1 Watt LEDs producing 300 lumens/head.
- BUG6: Two adjustable lamp heads with (3) 2 Watt LEDs producing 650 lumens/head.
- Brownout detection ensures emergency operation during periods of low line voltage.
- Simple, snap-fit assembly and canopy with knockout mounting pattern on back plate and top conduit entry for easy installation.
- Optional full Self Diagnostics available - performs monthly test and continuously monitors unit status.
- Push-to-test switch and LED AC status indicator are used for manual testing.
- 120/277 VAC with field selectable inputs.
- Line latch prevents unnecessary discharge of battery during installation. Loads will not illuminate until after application of utility power.
- Low voltage disconnect prevents battery damage and ensures positive charge after extended discharge.
- Listed for indoor damp locations.
- Eco-friendly, long life, high performance lithium iron phosphate battery allows for 90 minutes of emergency run-time.

NOTES

- SD only available with WH Housing.
- EB cannot be specified with SD option.
- If using the remote capacity option (EB) without any remote lamp heads attached, the base unit run time is extended to greater than 2 hours.
- VRWP is designed for use in NEMA 4X or wet locations, IP65 rated.

CEC Title 20



CLICK THE IMAGE TO VIEW ALTERNATE PRODUCT PHOTOS

Only available with Adobe Acrobat and Acrobat Reader

ORDERING INFORMATION *BUG-3W-WH-MB*

BUG-3W-WH-MB	BUG High Performance LED Emergency Light, 3W, White, Back Mount
BUG-3W-WH-MB-EB	BUG High Performance LED Emergency Light, 3W, White, Back Mount - 5.4W Remote Capacity ¹
BUG-3W-WH-MB-SD	BUG High Performance LED Emergency Light, 3W, White, Back Mount - Self Diagnostic ²
BUG-6W-WH-MB	BUG High Performance LED Emergency Light, 6W, White, Back Mount
BUG-6W-WH-MB-SD	BUG High Performance LED Emergency Light, 6W, White, Back Mount - Self Diagnostic ²
BUG-6W-BK-MB	BUG High Performance LED Emergency Light, 6W, Black ³ , Back Mount

ORDERING NOTES

1. Compatible with MVH remote heads
2. Self-diagnostics (SD) not available with remote capacity (EB)
3. Self-diagnostics (SD) and remote capacity (EB) not available with Black Finish

ACCESSORIES; ORDER SEPARATELY

- **BUG-ACCY-CANOPY** = Top Mount Canopy
- **Remote Heads** = See MVH
- **WG-16.5LX14.0WX6.0D** = Wireguard, Length: 16.5", Width: 14", Depth: 6"
- **WG-20.0LX19.0WX9.0D** = Wireguard, Length: 20", Width: 19", Depth: 9"
- **WG-26.0LX19.0WX9.0D** = Wireguard, Length: 26", Width: 19", Depth: 9"
- **VRWP** = Wet Location Vandal Resistant Shield

SPECIFICATIONS
CONSTRUCTION

- 5VA flame rated, injection molded ABS thermoplastic housing
- Extruded aluminum LED heat sinks for optimal LED operation and long life

TEMPERATURE RATING

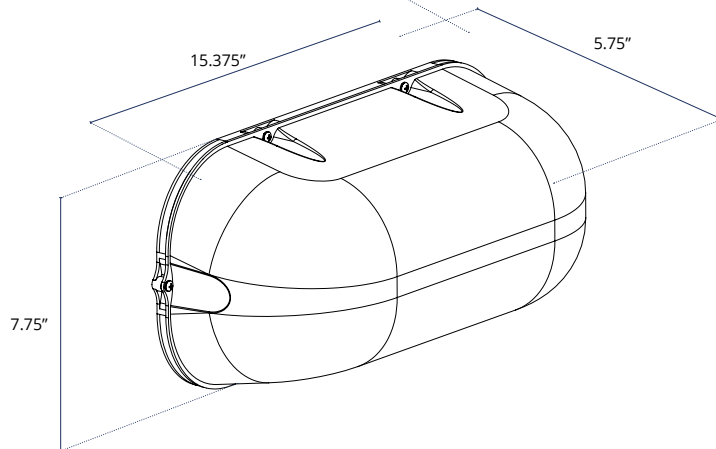
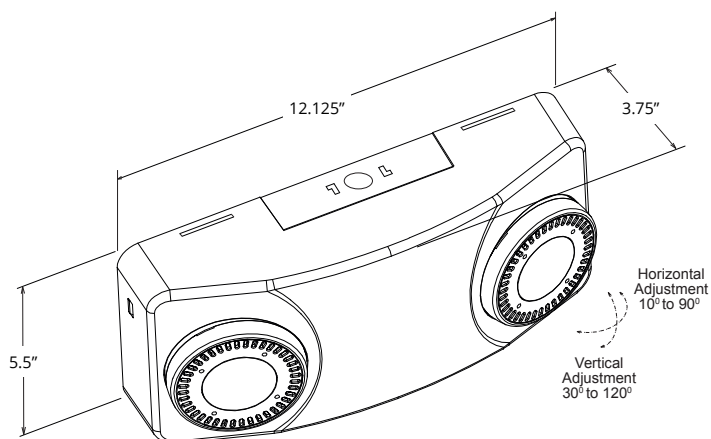
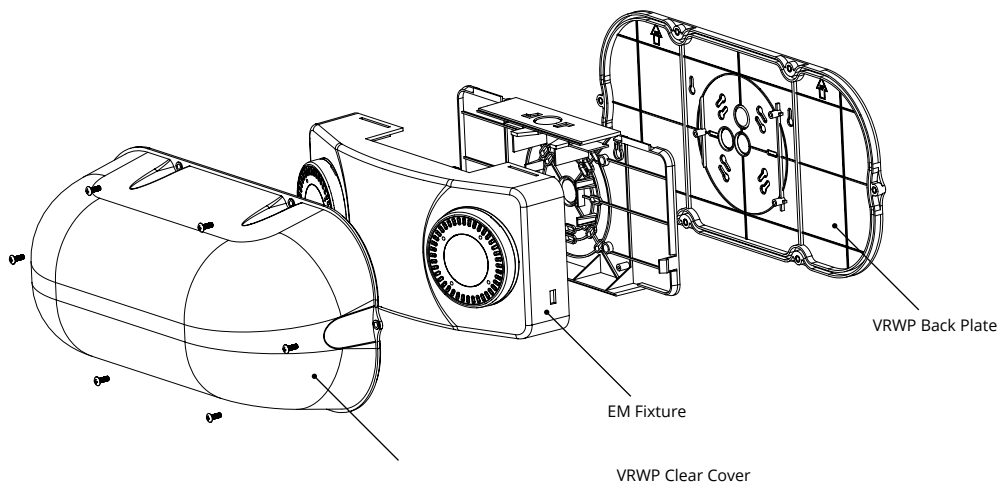
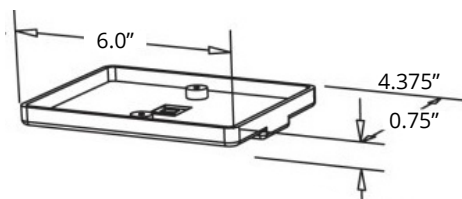
- From 50°F to 104°F

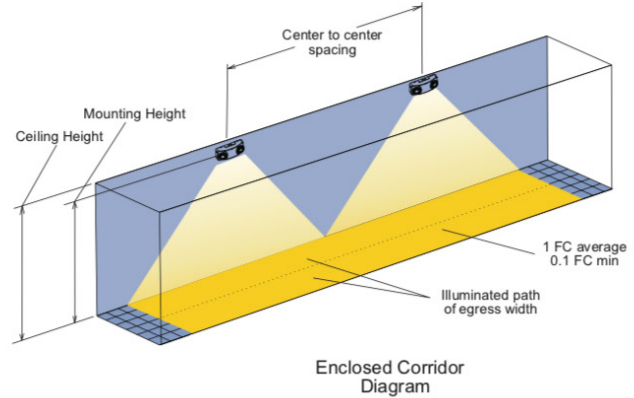
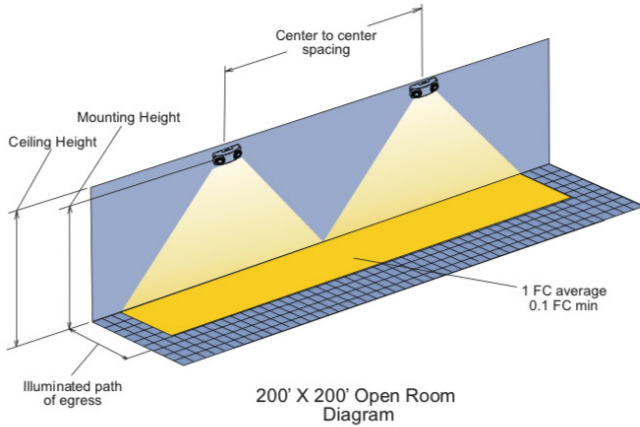
APPROVALS

- UL 924
- UL Listed for Damp Location
- CEC Title 20 Compliant
- NFPA 101 Life Safety Code
- NFPA 70-NEC
- OSHA

WARRANTY

- Isolite offers a 5-year limited warranty. For further details, refer to General Warranty and Obligations in the Isolite manual or on our website. Lamps not warranted.

DIMENSIONS
BUG
VRWP: WET LOCATION RESISTANT VANDAL SHIELD

BUG-ACCY-CANOPY DIMENSIONS
DRAWING


BUG HIGH PERFORMANCE LED EMERGENCY LIGHT

MULTIPLE UNIT MAXIMUM SPACING GUIDELINES (IN FT)

200 X 200' OPEN ROOM									
BUG3 - 600 LUMENS					BUG6 - 1300 LUMENS				
MOUNTING HEIGHT	CEILING HEIGHT	SPACING (CENTER TO CENTER)	AVERAGE (≥ 1.0FC)	UNIFORMITY RATIO MAX / MIN (≤ 40:1)	MOUNTING HEIGHT	CEILING HEIGHT	SPACING (CENTER TO CENTER)	AVERAGE (≥ 1.0FC)	UNIFORMITY RATIO MAX / MIN (≤ 40:1)
7.5	9	70	1.00	37.77	7.5	9	100	1.07	38.80
9	11	61	1.02	38.70	9	11	98	1.07	39.00
10	12	60	1.01	39.50	10	12	96	1.01	33.24
12	14	45	1.06	38.67	12	14	84	1.00	39.31
14	16	44	1.01	34.91	14	16	58	1.05	34.25
16	18	42	1.03	32.18	16	18	58	1.02	38.36

6' WIDE ENCLOSED CORRIDOR W/ 6' PATH OF EGRESS									
BUG3 - 600 LUMENS					BUG6 - 1300 LUMENS				
MOUNTING HEIGHT	CEILING HEIGHT	SPACING (CENTER TO CENTER)	AVERAGE (≥ 1.0FC)	UNIFORMITY RATIO MAX / MIN (≤ 40:1)	MOUNTING HEIGHT	CEILING HEIGHT	SPACING (CENTER TO CENTER)	AVERAGE (≥ 1.0FC)	UNIFORMITY RATIO MAX / MIN (≤ 40:1)
7.5	9	75	1.02	38.85	7.5	9	114	1.01	37.31
9	11	73	1.03	39.50	9	11	112	1.00	38.79
10	12	71	1.04	33.31	10	12	109	1.02	38.60
12	14	68	1.01	34.93	12	14	105	1.05	39.81
14	16	63	1.01	36.76	14	16	105	1.00	37.59
16	18	57	1.00	37.55	16	18	101	1.01	38.78

6' WIDE ENCLOSED CORRIDOR W/ 3' PATH OF EGRESS									
BUG3 - 600 LUMENS					BUG6 - 1300 LUMENS				
MOUNTING HEIGHT	CEILING HEIGHT	SPACING (CENTER TO CENTER)	AVERAGE (≥ 1.0FC)	UNIFORMITY RATIO MAX / MIN (≤ 40:1)	MOUNTING HEIGHT	CEILING HEIGHT	SPACING (CENTER TO CENTER)	AVERAGE (≥ 1.0FC)	UNIFORMITY RATIO MAX / MIN (≤ 40:1)
7.5	9	83	1.02	38.08	7.5	9	117	1.06	38.92
9	11	81	1.03	34.23	9	11	113	1.05	38.50
10	12	79	1.01	32.21	10	12	111	1.05	39.86
12	14	77	1.01	32.53	12	14	108	1.04	39.73
14	16	71	1.01	37.15	14	16	104	1.05	39.63
16	18	63	1.00	38.91	16	18	101	1.04	39.00